



XP-8x41-Atom-CE6 Quick Start

Version 1.5, August 2016

Supported Modules

- XP-8141-Atom-CE6
- XP-8341-Atom-CE6
- XP-8741-Atom-CE6

What's in the Box?

In addition to this guide, the package includes the following items:



XP-8x41-Atom-CE6



CF slot
with a CF card



Software
Utility CD



Screw Driver
2.4 mm

Technical Support

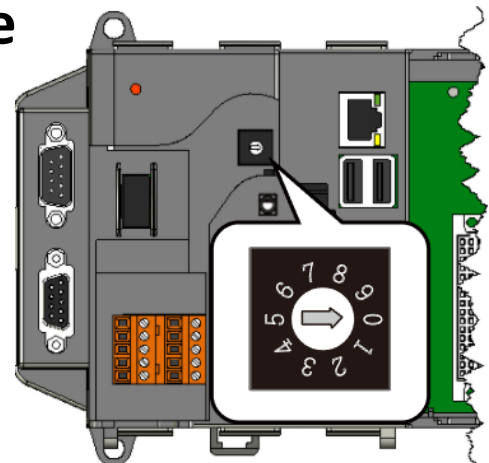
- XP-8000-CE6 User Manual

CD: \XPAC-ATOM-CE6\Document\User_Manual\

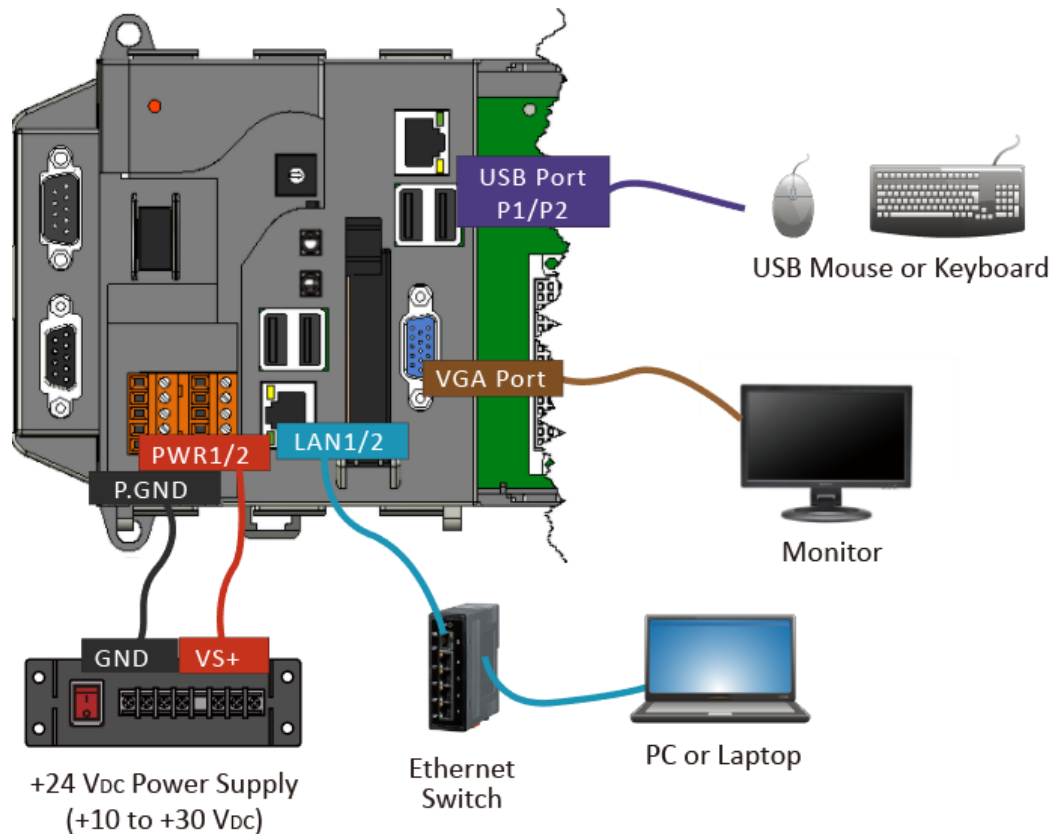
http://ftp.icpdas.com/pub/cd/xpac-atom-ce6/document/user_manual/

1 Configuring the Boot Mode

Before starting any installation, be sure that the switch is placed in the 『0』 position.



2 Connecting to PC, Monitor and Power Supply

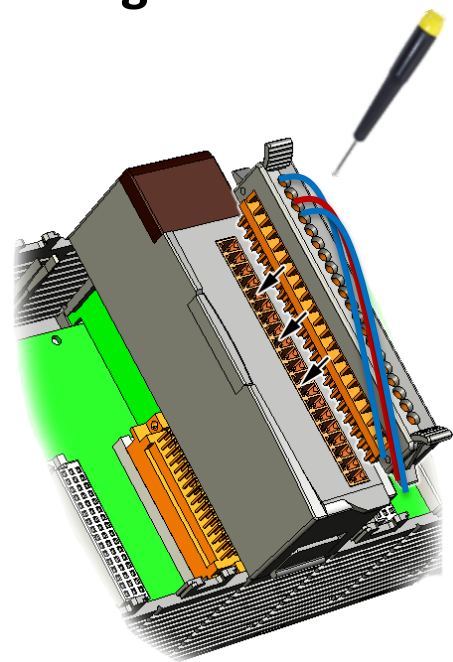


3 Inserting the I/O Module and Wiring Connection

XP-8141-Atom-CE6/XP-8341-Atom-CE6/
XP-8741-Atom-CE6 has 1/3/7 I/O
expansion slots and only supports I-8K
and I-87K series I/O modules.

For more information about this
expansion I/O modules, please refer to

http://www.icpdas.com/root/product/solutions/pac/ipcc/pac-family_io_expansion.html



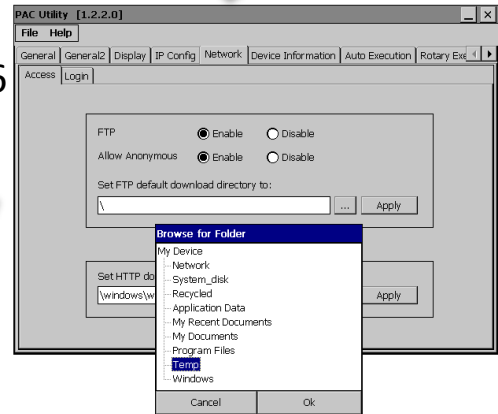
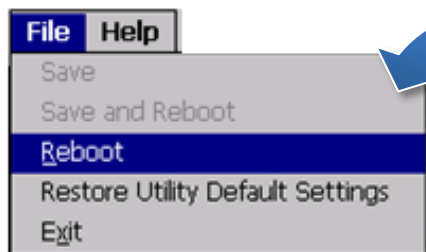
4

Using XPAC Utility to Manage the XP-8x41-Atom-CE6

Step 1: Double-click the XPAC Utility on the desktop

Step 2: Configure IP address (DHCP), FTP Server, Auto Execution files..., etc

Step 3: Reboot the XP-8x41-Atom-CE6 for changes to take effect



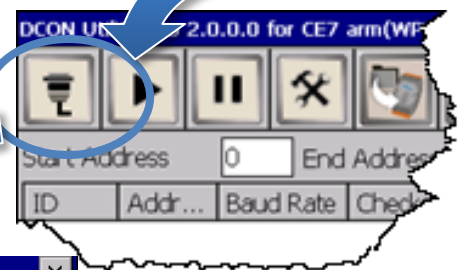
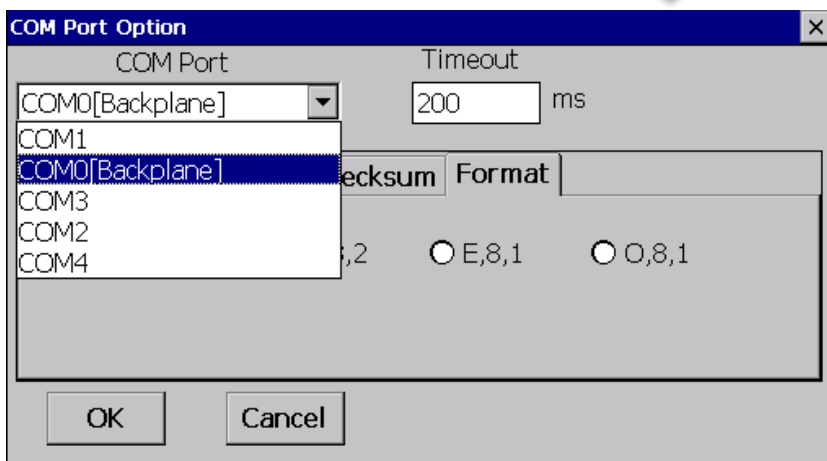
5

Using DCON Utility Pro to Configure I/O Modules

Step 1: Double-click the DCON Utility Pro on the desktop

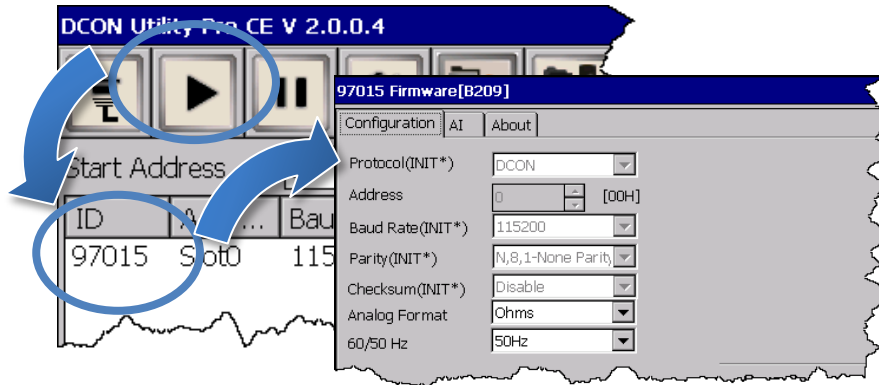
Step 2: Click the  button

Step 3: Configure the communication settings



Step 4: Click the  button

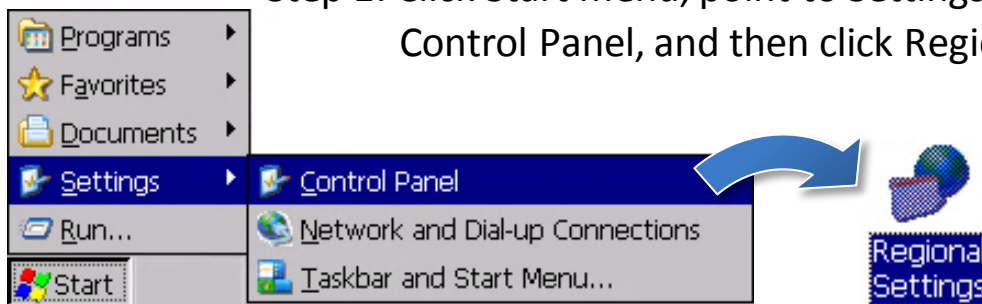
Step 5: Click the module name to configure the I/O module



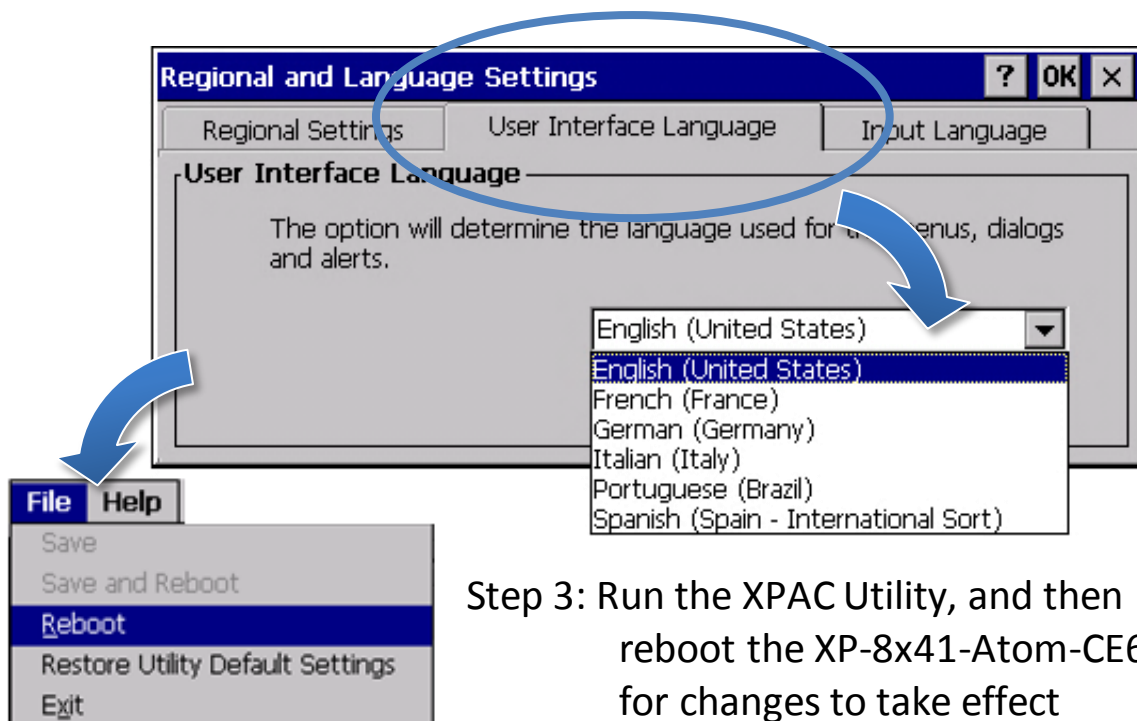
6

Changing the User Interface Language

Step 1: Click Start menu, point to Settings, click Control Panel, and then click Regional Settings



Step 2: Click User Interface Language tab, choose to your local language, and then click OK



Step 3: Run the XPAC Utility, and then reboot the XP-8x41-Atom-CE6 for changes to take effect