

XP-8x3x-CE6 vs. XP-8x4x-CE6

Hardware Comparison

Written by Sean Hsu

Last Modified Date: April. 2017

Specifications



XP-8x3x-CE6



XP-8x4x-Atom-CE6

(Phased out)



XP-8x4x-CE6

CPU			
CPU	x86 CPU, 1 GHz, dual-core or compatible	Intel Atom Z510 CPU (1.1 GHz)	AMD LX 800 CPU (32-bit and 500 MHz)
SDRAM	2 GB DDR3 512 MB for WinCE OS	512 MB DD2	512 MB
Flash	32 GB	8 GB	4 GB
Non-volatile Memory	MRAM 512KB	Dual Battery Backup SRAM 512KB	Dual Battery Backup SRAM 512KB
EEPROM	16 KB		
SD/microSD	SD socket with one SD card		
RTC (Real Time Clock)	Provide second, minute, hour, date, day of week, month, year		
64-bit Hardware Serial Number	Yes, for software copy protection		
Dual Watchdog Timers	Yes		
Programmable LED Indicator	2		1
DIP Switch	Yes, 8 bits		No (1 Slot) Yes, 8 bits (3/7 Slots)

Rotary Switch (0 ~ 9)		Yes	
Microphone-In and Earphone-Out		Yes	No
VGA & Communication Ports			
VGA Resolution		1024 x 768, 800 x 600 , 640 x 480	
Ethernet	Connector	RJ-45 x 2	
	Type	10/100/1000 Base-TX	10/100 Base-TX
USB		USB 2.0 x 4	USB 2.0 x 2
COM 1		For I-87K series modules in slots	
COM 2		RS-232, Non-isolation	
COM 3		RS-485 3000 V _{DC} Isolation	
COM 4		RS-232/RS-485, Non-isolation	
COM 5		RS-232, Non-isolation	
I/O Expansion Slots			
Number of I/O slots		1/3/7	0/3/7
Supported types of I/O modules		I-8K and I-87K series I/O Modules	
Mechanical			
Dimensions (W x H x D unit: mm)		169 x 132 x 125 (1 Slot) 231 x 132 x 125(3 Slots)	137 x 132 x 125 (0 Slot) 231 x 132 x 125(3 Slots)

	355 x 132 x 125(7 Slots)	355 x 132 x 125(7 Slots)
Enclosures	Plastic	
Installation	DIN-Rail or Wall mounting	
	Environmental	
Operating Temperature	-25 °C ~ +75 °C	
Storage Temperature	-30 °C ~ + 80 °C	
Ambient Relative Humidity	10 % ~ 90 % RH (Non-condensing)	
Input Range	+10 V _{DC} ~ +30 V _{DC}	
Redundant Power Inputs	Yes	
Isolation	1 kV	
Power Consumption	16.6 W (1 Slot) 16.8 W (3 Slots) 18 W (7 Slots)	14.4 W (0 Slot) 14.4 W (3 Slots) 16.8 W (7 Slots)

Features comparison

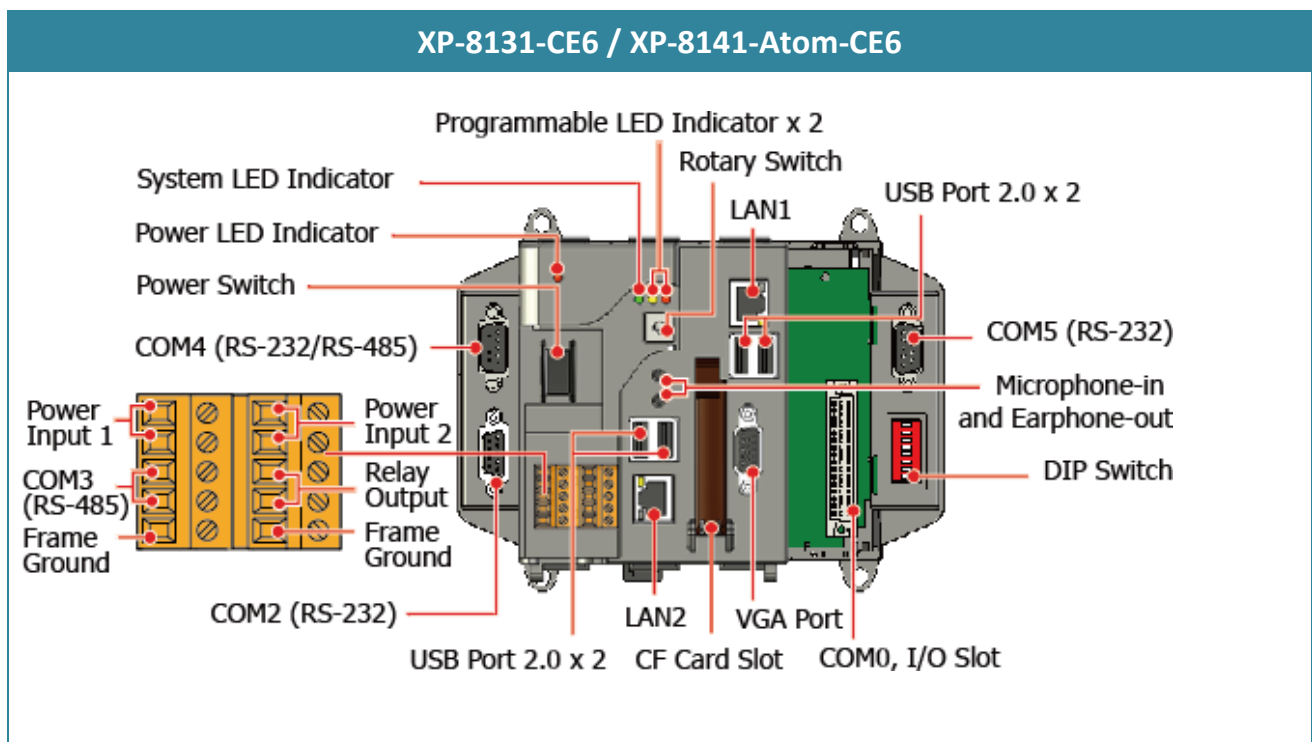
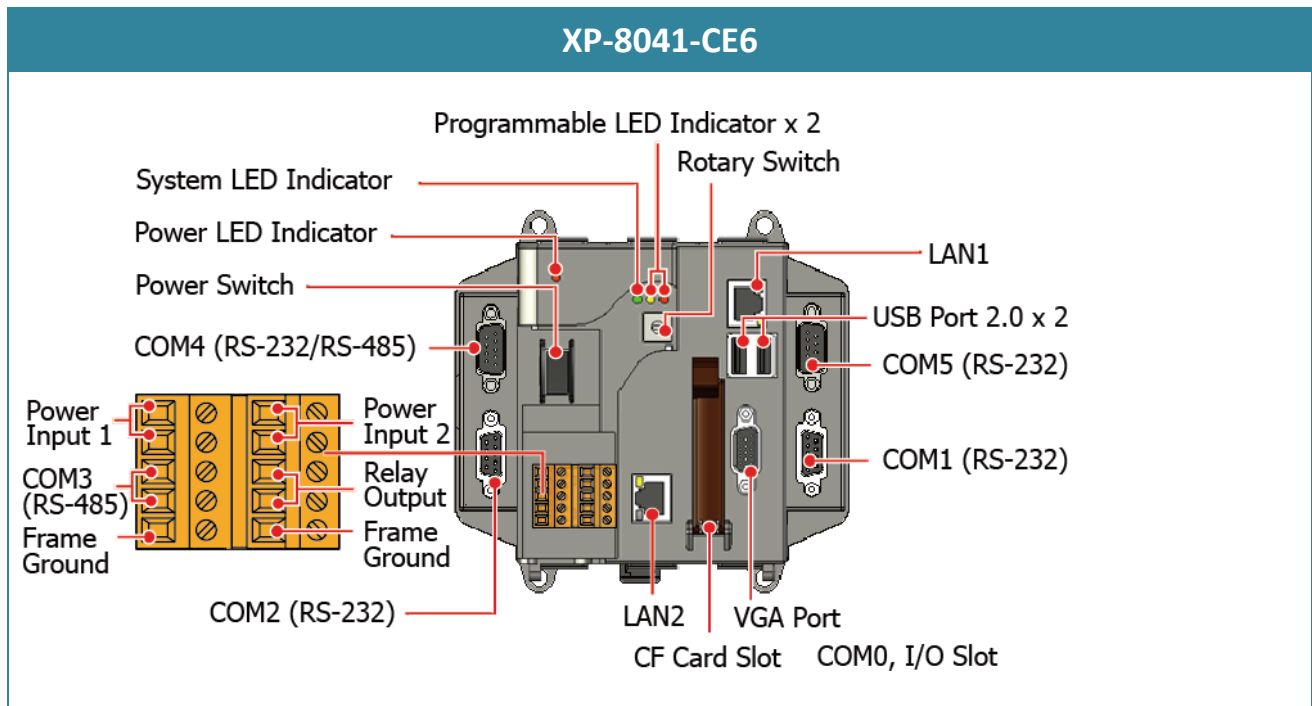
1. Non-volatile Memory (SRAM & MRAM)

The XP-8x3x-CE6 is equipped with 512 KB MRAM (Magnetoresistive RAM) which is non-volatile memory that is not subject to degradation over time and removes any limits on the stored data, even when power is lost.

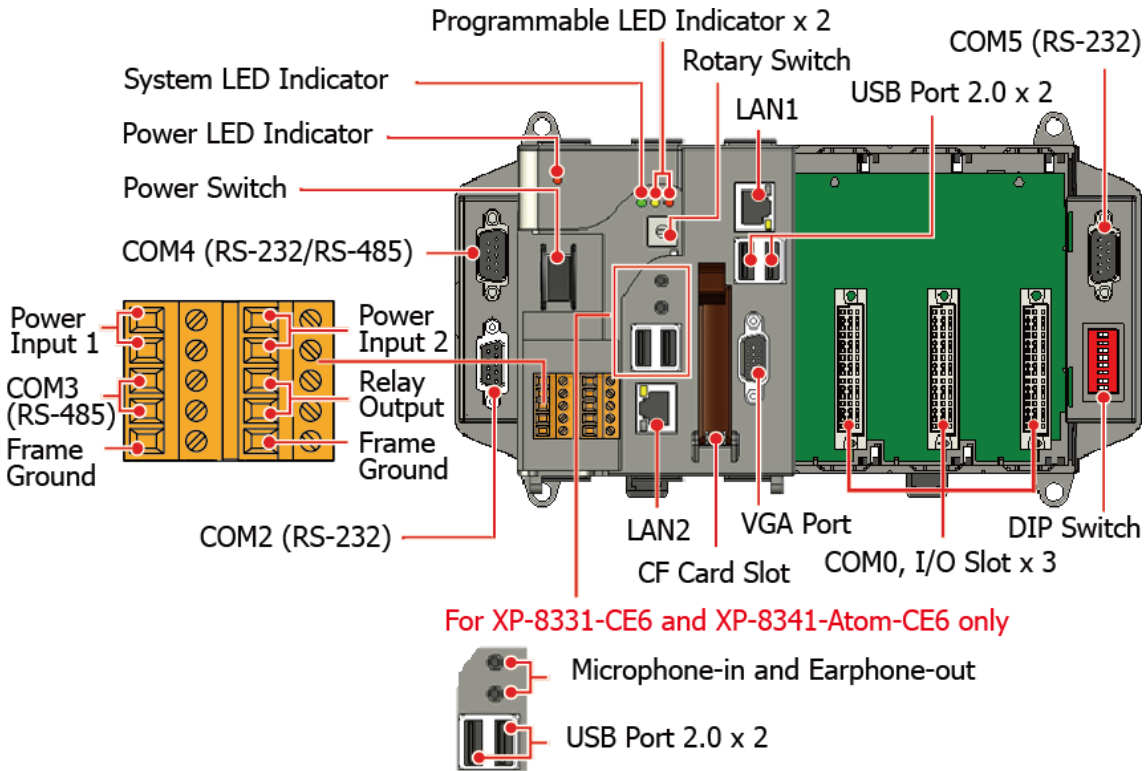
The XP-8x4x-CE6 / XP-8x4x-Atom-CE6 series included 512 MB Dual BB SRAM.

However, BB SRAM requires batteries in order to retain data. In addition, SRAM with dual battery backup only retains data for 5 years and requires maintenance in order to replace exhausted batteries. In contrast, MRAM doesn't require batteries.

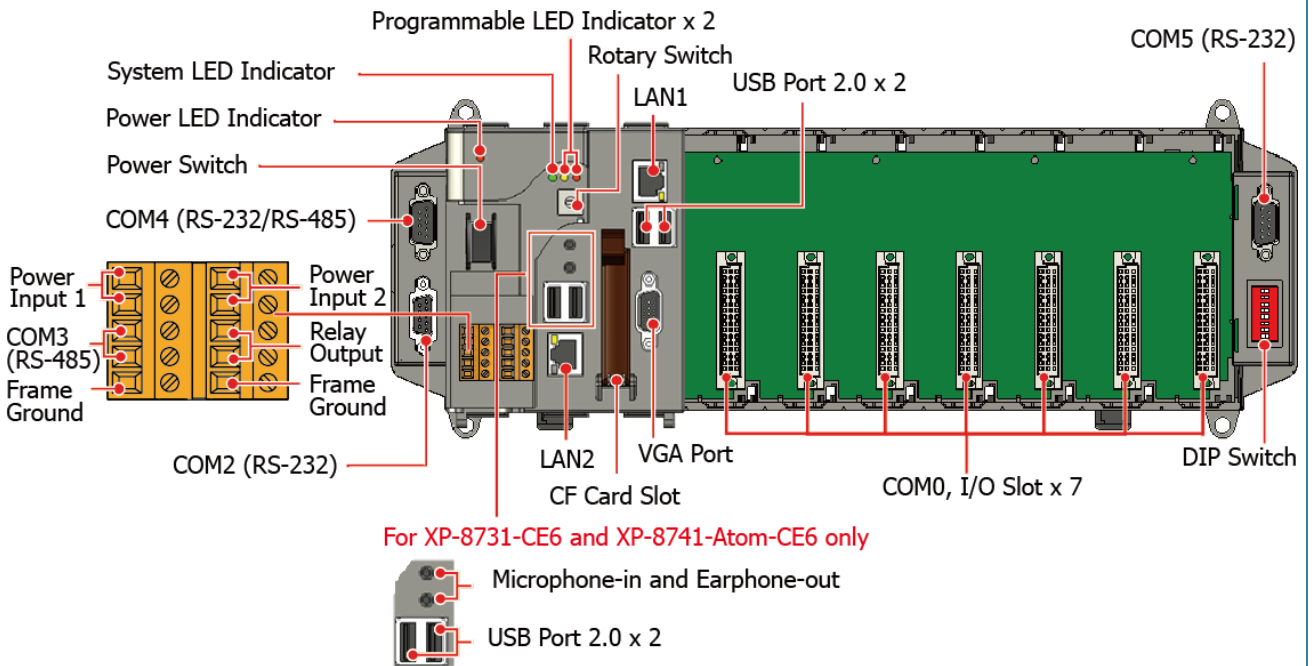
Overviews



XP-8331-CE6 / XP-8341-Atom-CE6 / XP-8341-CE6



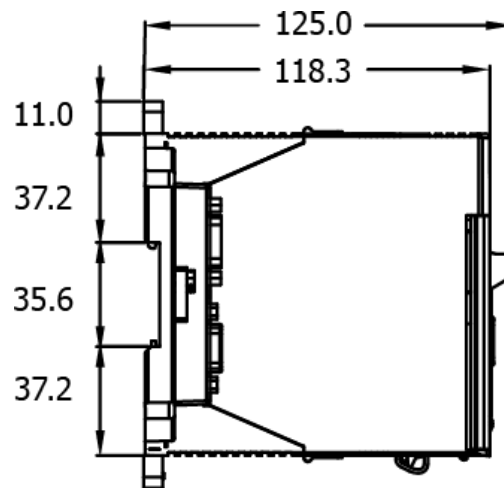
XP-8731-CE6 / XP-8741-Atom-CE6 / XP-8741-CE6



Dimensions (Units: mm)

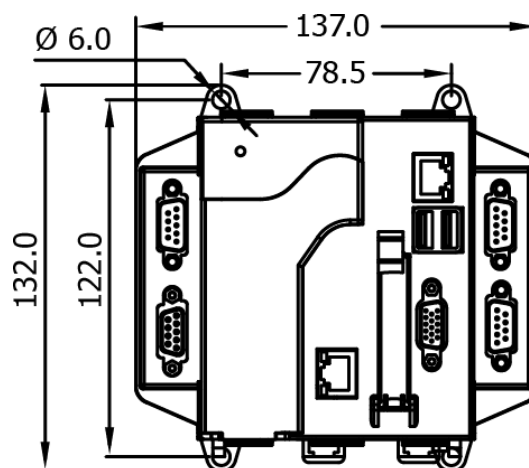
XP-8131-CE6/XP-8331-CE6/XP-8731-CE6/ XP-8041-CE6/XP-8341-CE6/XP-8741-CE6/
XP-8141-Atom-CE6/XP-8341-Atom-CE6/XP-8741-Atom-CE6

Left Side View



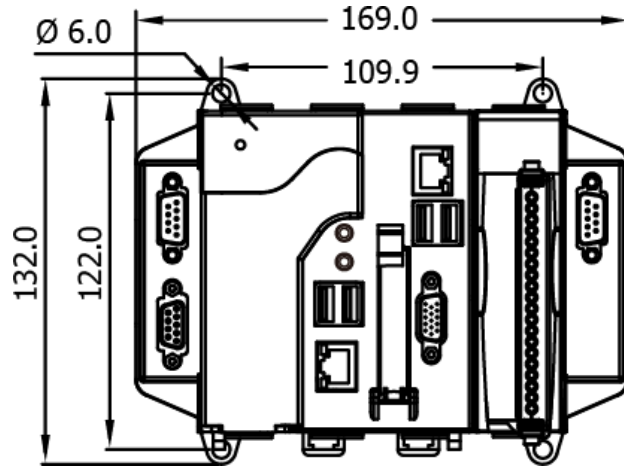
XP-8041-CE6

Front View



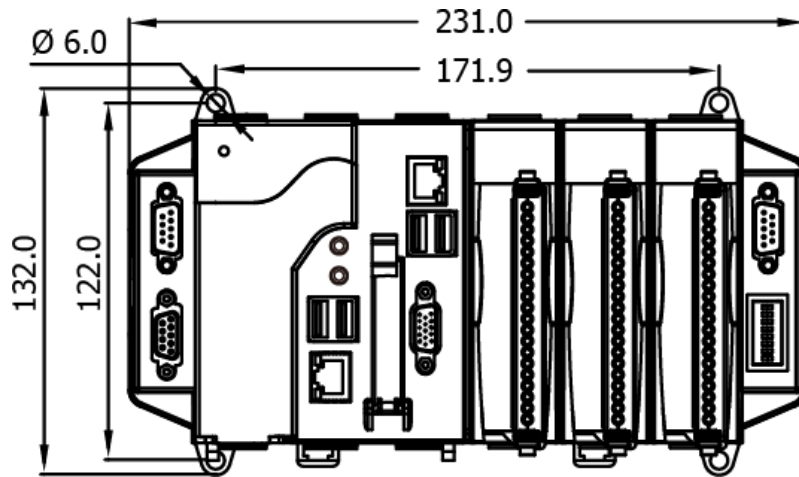
XP-8131-CE6/XP-8141-Atom-CE6

Front View



XP-8331-CE6/XP-8341-CE6/XP-8341-Atom-CE6

Front View



Front View

