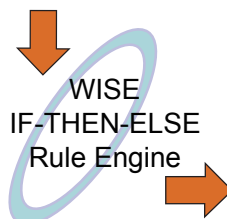




## Software Specifications

Functions	
Rule Configuration Website	Access Web server on WISE controllers to edit and upload logic rules through web browser.
36 IF-THEN-ELSE Logic Rules	3 IF conditions with AND or OR operators 3 THEN actions and 3 ELSE actions
48 Internal Registers	Hold temporary variables and read/write data via Modbus/TCP address.
12 Timers	Delay / Timing functions.
12 Emails	Send Email messages to pre-set Email receivers.
12 CGI Commands	Send pre-set CGI commands.
12 Recipes	Set up THEN/ELSE action groups.
8 P2P remote modules	Set up the connection information for the remote WISE modules.
Modbus/TCP Protocol	Real time control and monitoring I/O channels and system status of controllers via SCADA software.

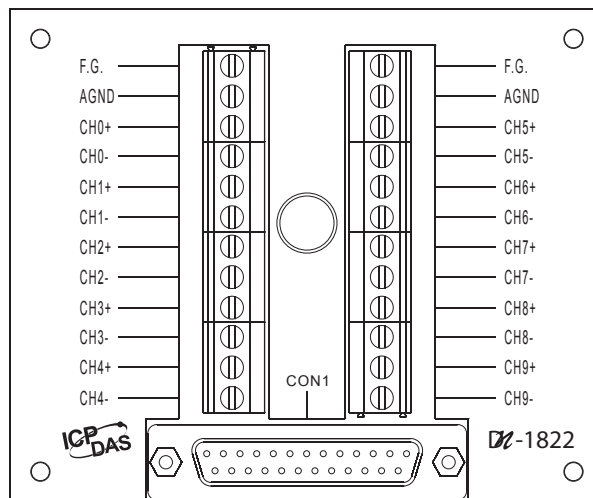
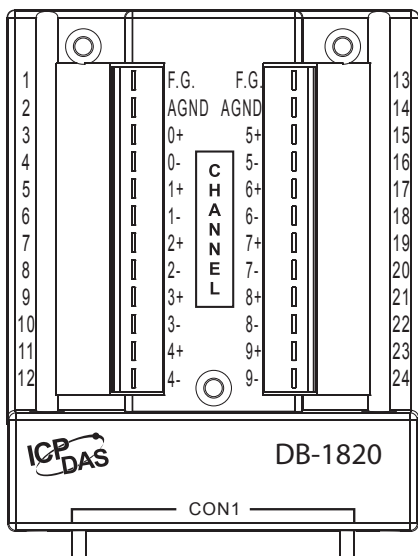
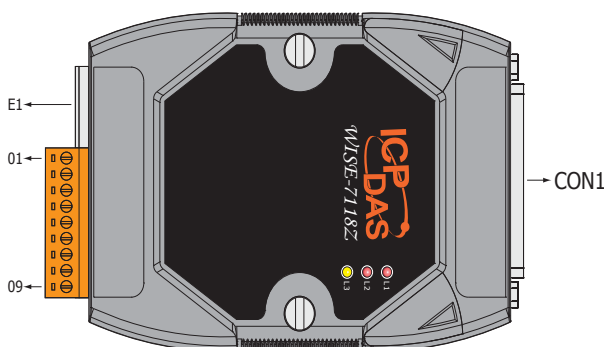
IF Conditions	
AI Channel	
Internal Register	=, >, <, >=, <= (value)
DO Counter	=, >, <, >=, <= (value), Change
Timer	Timeout, Not Timeout
P2P	DI, AI, DI counter, DO counter, IR
Rule Status	Enable, Disable



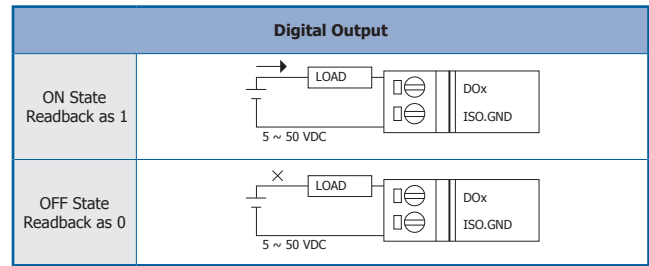
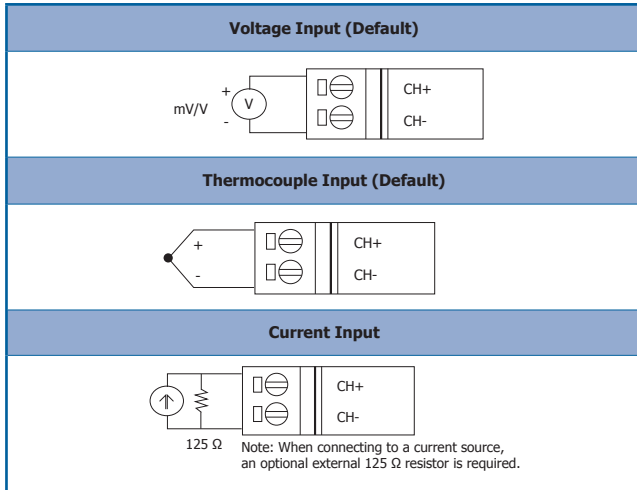
THEN / ELSE Actions	
DO Channel	ON, OFF, Pulse Output
Internal Register	Change the value
DO Counter	Reset
Timer	Start, Reset
Email	Send
CGI Commands	Send
Recipe	Execute
P2P	DO(On/Off), AO, IR
Rule Status	Enable, Disable

## Pin Assignments

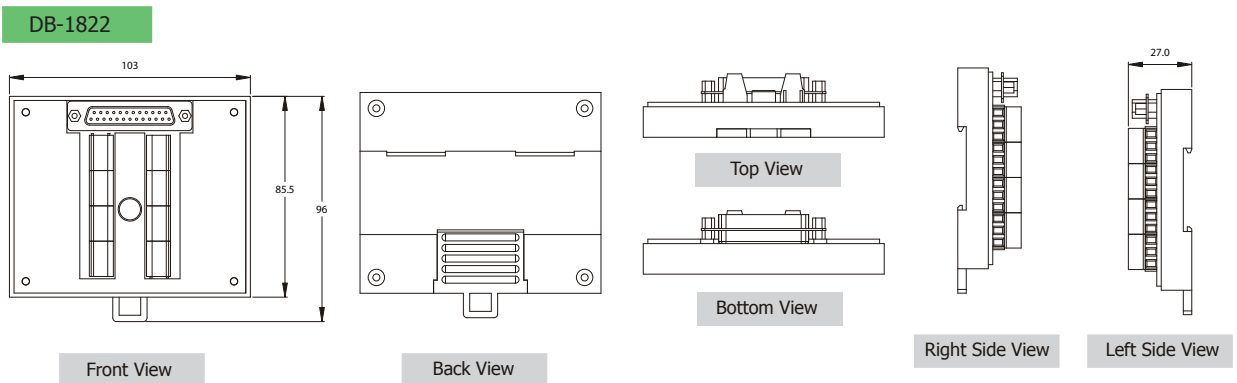
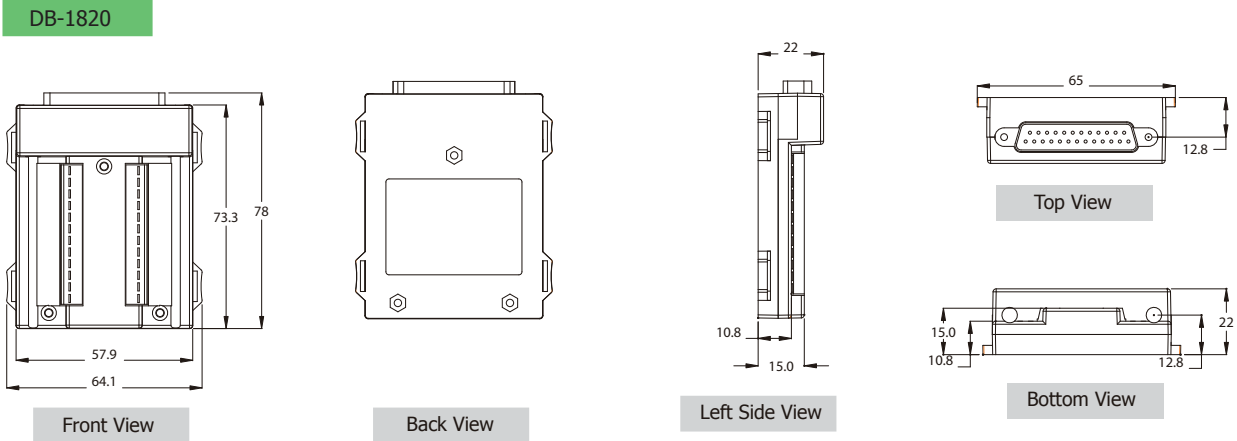
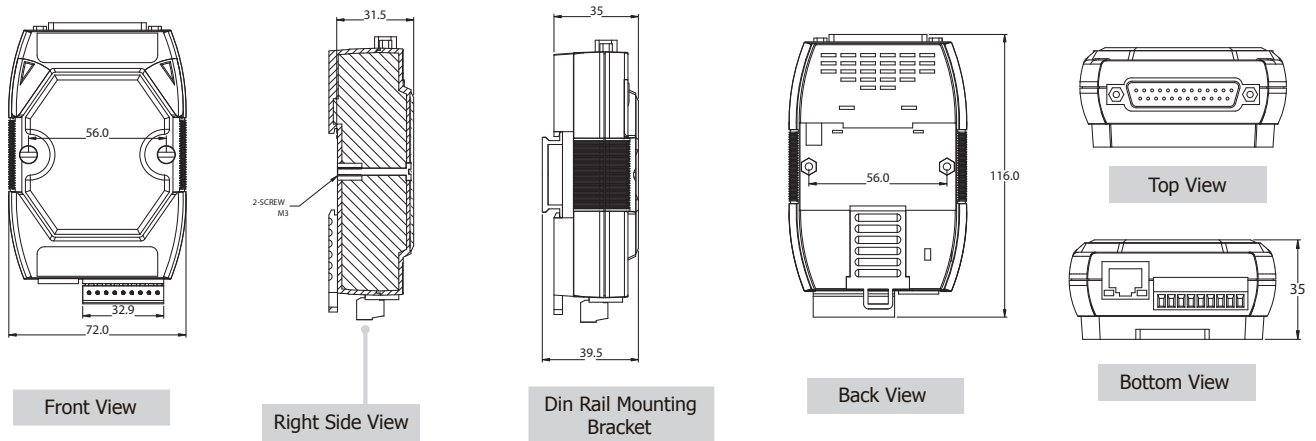
Terminal No.	Pin Assignment
E1	RJ-45
01	DO0
02	DO1
03	DO2
04	DO3
05	DO4
06	DO5
07	ISO.GND
08	(R)+Vs
09	(B)GND



### Wire Connections



### Dimensions (Unit:mm)



## Ordering Information

<b>WISE-7118Z/S</b>	10-channel Thermocouple Input with High Voltage Protection and 6-channel Isolated Output PoE Module(RoHS) and DB-1820 daughter board.
<b>WISE-7118Z/S2</b>	10-channel Thermocouple Input with High Voltage Protection and 6-channel Isolated Output PoE Module(RoHS) and DN-1822 daughter board and 1.8m cable.



## Accessories

	<b>NS-205 CR</b>	Unmanaged 5-port Industrial Ethernet Switch; requires a 24 Vdc Input (RoHS)
	<b>NS-205PSE CR</b>	Unmanaged Ethernet switch with 4-PoE and 1 RJ45 uplink; requires a 48 Vdc Input (RoHS)
	<b>NS-205PSE-24V CR</b>	Unmanaged Ethernet switch with 4-PoE and 1 RJ45 uplink; requires a 24 Vdc Input (RoHS)
	<b>MDR-20-24 CR</b>	24V/1A, 24 W Power Supply with DIN-Rail Mounting (RoHS)
	<b>DIN-KA52F-48 CR</b>	48V/0.52A, 25 W Power Supply with DIN-Rail Mounting (RoHS)
	<b>CD-2518D CR</b>	25F-25M 1.8 m Cable with DIN-Rail Mount for the DB-1820 (RoHS)
	<b>CD-25015 CR</b>	25F-25M 15 cm Cable with DIN-Rail Mount for the DB-1820 (RoHS)
	<b>4PAPP-006-G CR</b>	Plastic Rack (RoHS)

