



I-9057P

16-channel Isolated Digital Output Module

Features

- 16-channel Open Collector Output
- Sink-type Digital Output
- Channel Status LED Indicators
- Up to 60 VDC Overvoltage Protection
- Overload Protection
- Short-circuit Protection
- 4 kV ESD Protection
- Wide Operating Temperature Range: -25 to +75 °C



Introduction

The I-9057P module offers 16 digital output channels, each of which features Photocouple isolation and supports sink-type output using an open collector. In addition, 16 LED indicators are included to monitor the status of digital output channels. The I-9057P integrates overcurrent, over-voltage and short-circuits protections for industrial use. 4 kV ESD protection and 3750 VDC intra-module isolation are also provided as standard.

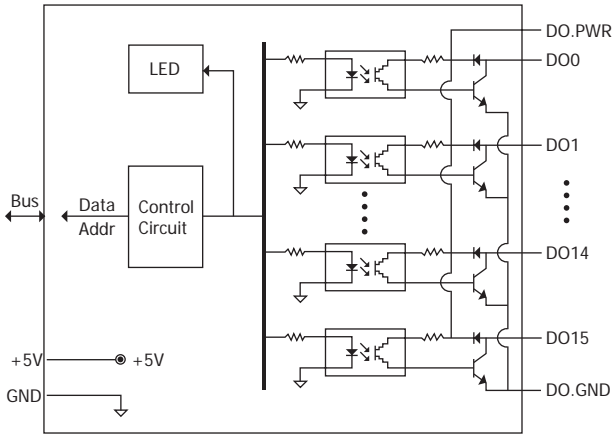
System Specifications

LED Display	
System LED Indicator	1 LED as Power Indicator
I/O LED Indicator	16 LEDs as Digital Input Indicators
Isolation	
Intra-module Isolation, Field-to-Logic	3750 VDC
EMS Protection	
ESD (IEC 61000-4-2)	±4 kV Contact for each Terminal ±8 kV Air for Random Point
Power	
Power Consumption	1 W Max.
Mechanical	
Dimensions (W x L x H)	31 mm x 134 mm x 144 mm
Environment	
Operating Temperature	-25 ~ +75 °C
Storage Temperature	-40 ~ +85 °C
Humidity	10 ~ 90% RH, Non-condensing

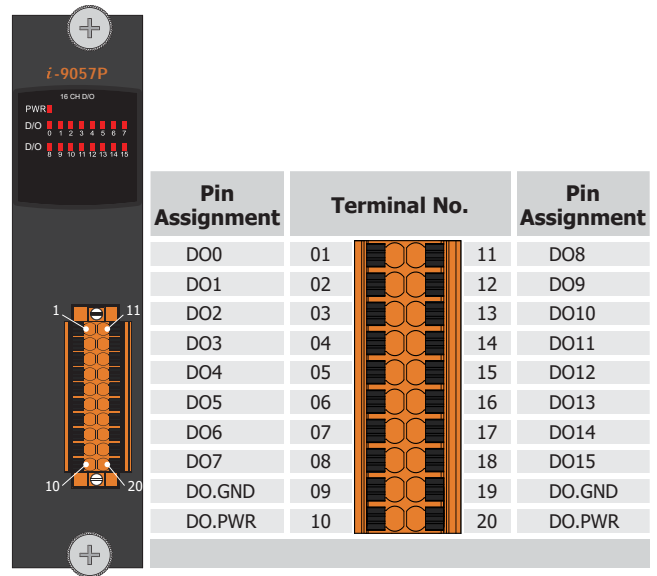
I/O Specifications

Digital Input	
Channels	16
Sink/Source (NPN/PNP)	Sink
Output Type	Isolated Open Collector
Max. Load Current	100 mA/Channel
Load Voltage	+10 VDC ~ +50 VDC
Overvoltage Protection	60 VDC
Overload Protection	1.1 A
Short-circuit Protection	Yes

Internal I/O Structure



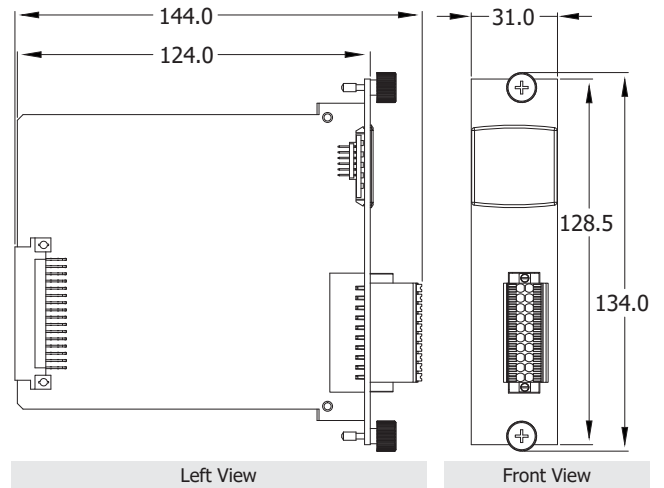
Pin Assignments



Wire Connections

Output Type	ON State LED ON Readback as 1	ON State LED OFF Readback as 0
	Relay ON	Relay OFF
Drive Relay		
Resistance Load		

Dimensions (Units: mm)



Ordering Information

I-9057P CR	16-channel Isolated Digital Output Module (RoHS)
-------------------	--