



I-9053PV

16-channel 220 VDC Isolated Digital Input Module

Features

- 16-channel Digital Input
- Signal Voltage +160 VDC ~ +220 VDC
- Sink-type or Source-type Digital Input
- Channel Status LED Indicators
- Photocouple Isolation
- 3750 VDC Intra-module Isolation
- Wide Operating Temperature Range: -25 ~ +75 °C



Introduction

The I-9053PV offers 16 digital input channels for monitoring 160 VDC to 220 VDC signal status. All channels feature photocouple isolation. In addition, 16 LED indicators are included to monitor the status of digital input channels. 4 kV ESD protection and 3750 VDC intra-module isolation are also provided to enhance noise immunity capabilities in industrial environments.

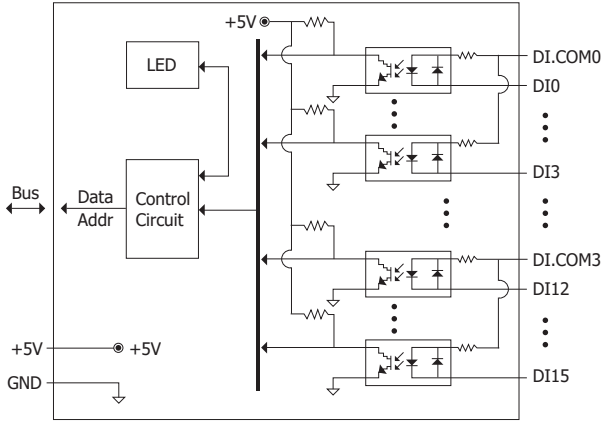
System Specifications

LED Display	
System LED Indicator	1 LED as Power Indicator
I/O LED Indicator	16 LEDs as Digital Input Indicators
Isolation	
Intra-module Isolation, Field-to-Logic	3750 VDC
EMS Protection	
ESD (IEC 61000-4-2)	±4 kV Contact for each Terminal ±8 kV Air for Random Point
Power	
Power Consumption	1 W Max.
Mechanical	
Dimensions (W x L x H)	31 mm x 134 mm x 144 mm
Environment	
Operating Temperature	-25 ~ +75 °C
Storage Temperature	-40 ~ +85 °C
Humidity	10 ~ 90% RH, Non-condensing

I/O Specifications

Digital Input		
Channels	16	
Sink/Source (NPN/PNP)	Sink/Source	
Input Type	Wet Contact	
Wet Contact	On Voltage Level	+160 VDC ~ +220 VDC
	Off Voltage Level	+150 VDC Max.
Input Impedance	3 KΩ, 1W	
Low Pass Filter		
Response Time	OFF to ON	1 ms/5 ms/10 ms/20 ms/40 ms/70 ms (by Jumper select) or CPU parameter setting Default Setting is 10 ms
	ON to OFF	1 ms/5 ms/10 ms/20 ms/40 ms/70 ms (by Jumper select) or CPU parameter setting Default Setting is 10 ms

Internal I/O Structure



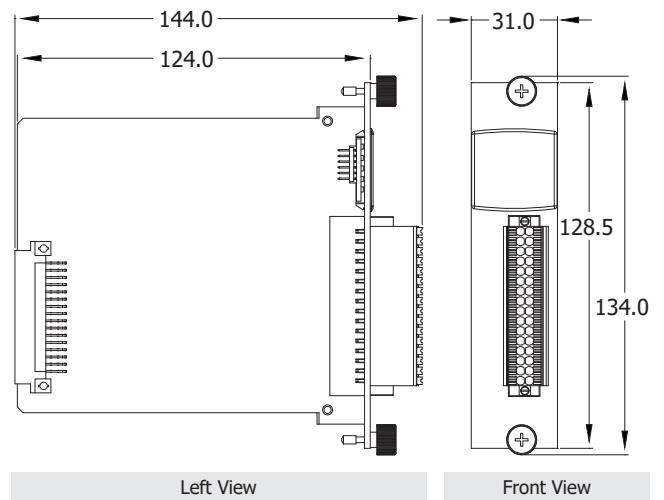
Pin Assignments

Pin Assignment	Terminal No.	Pin Assignment
DI0	01	17 DI.COM0
DI1	02	18 N/A
DI2	03	19 DI.COM0
DI3	04	20 N/A
DI4	05	21 DI.COM1
DI5	06	22 N/A
DI6	07	23 DI.COM1
DI7	08	24 N/A
DI8	09	25 DI.COM2
DI9	10	26 N/A
DI10	11	27 DI.COM2
DI11	12	28 N/A
DI12	13	29 DI.COM3
DI13	14	30 N/A
DI14	15	31 DI.COM3
DI15	16	32 N/A

Wire Connections

Input Type	ON State LED ON Readback as 1	ON State LED OFF Readback as 0
Wet Contact (Sink)		
Wet Contact (Source)		

Dimensions (Units: mm)



Ordering Information

I-9053PV CR	16-channel 220 VDC Isolated Digital Input Module (RoHS)
--------------------	---