

Classification	System and Application FAQ on WinCE PAC				No.	1-006-02	
Author	Tunglu-Yu	Version	1.0.0	Date	2010/2/12	Page	1/6

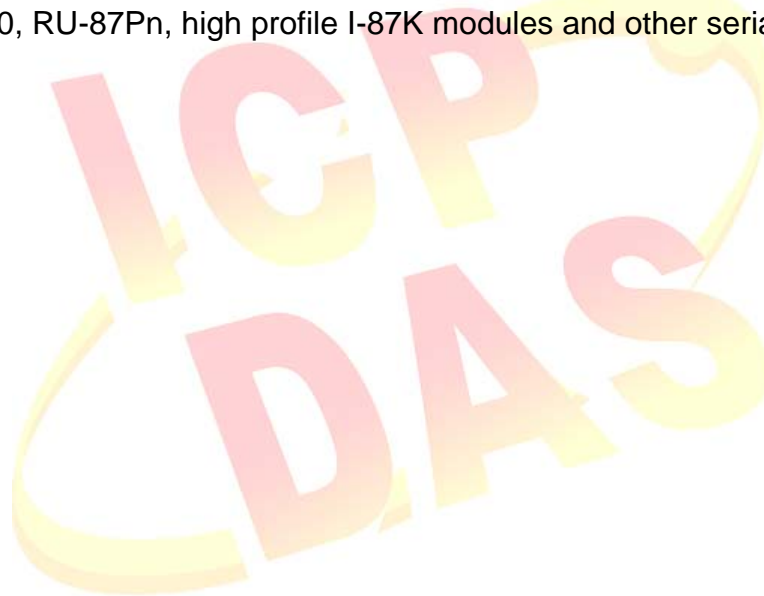
How to link serial devices through RS-485 on VP-2000

Applies to:

<i>Platform</i>	<i>OS version</i>	<i>WinPAC/ViewPAC utility version</i>
<i>WP-8x3x</i>	<i>N/A</i>	<i>N/A</i>
<i>WP-8x4x</i>	<i>N/A</i>	<i>N/A</i>
<i>VP-25W1</i>	<i>All versions</i>	<i>All versions</i>
<i>VP-23W1</i>	<i>All versions</i>	<i>All versions</i>

N/A: Not applicable to this platform and OS.

The ViewPAC is equipped with one RS-485 COM port (COM2) which enables a transmission rate up to a maximum of 115.2K bps. The twisted-pair, multi-drop, RS-485 network can be used to link i-7000, M-7000, RU-87Pn, high profile I-87K modules and other serial devices.



Classification	System and Application FAQ on WinCE PAC				No.	1-006-02	
Author	Tunglu-Yu	Version	1.0.0	Date	2010/2/12	Page	2/6

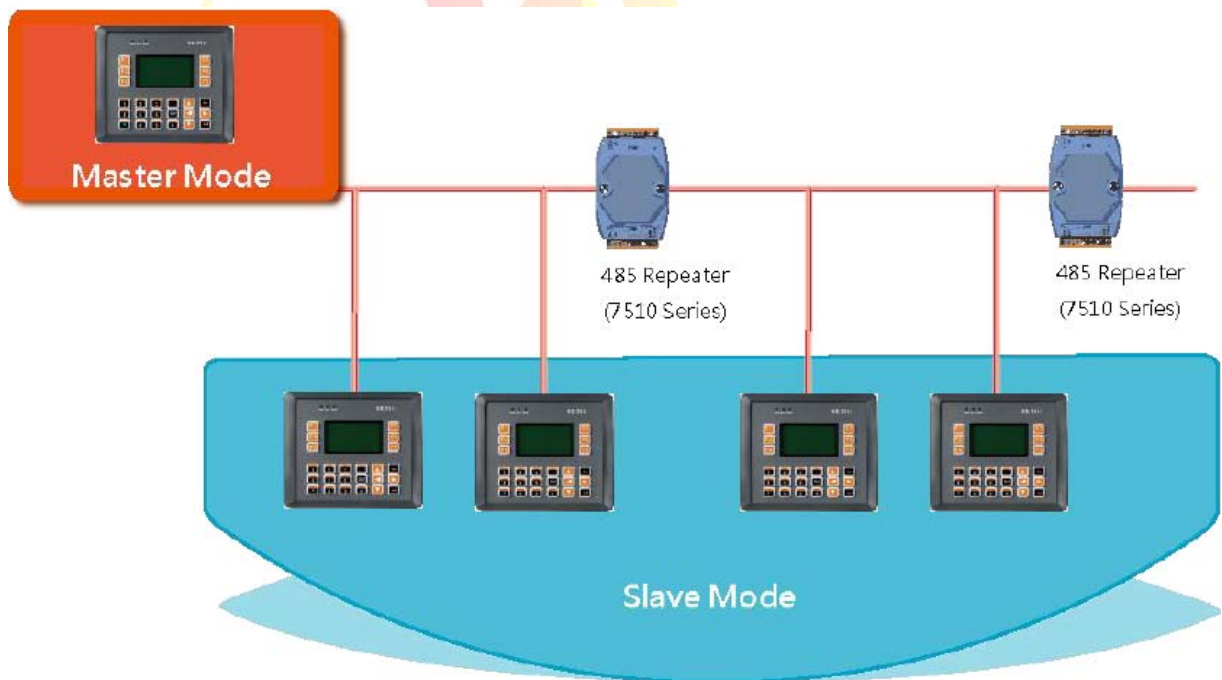
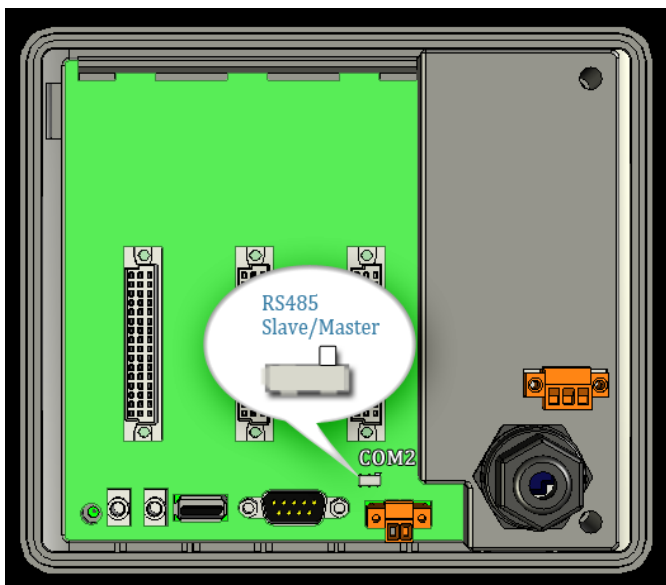
MASTER/SLAVES SETTINGS

In master/slave applications, “Master” is the default configuration for ViewPAC.

Using ViewPAC as a Master (default):

When one of the ViewPAC devices is set as the master, then all the other devices on the same network must be set to slave mode.

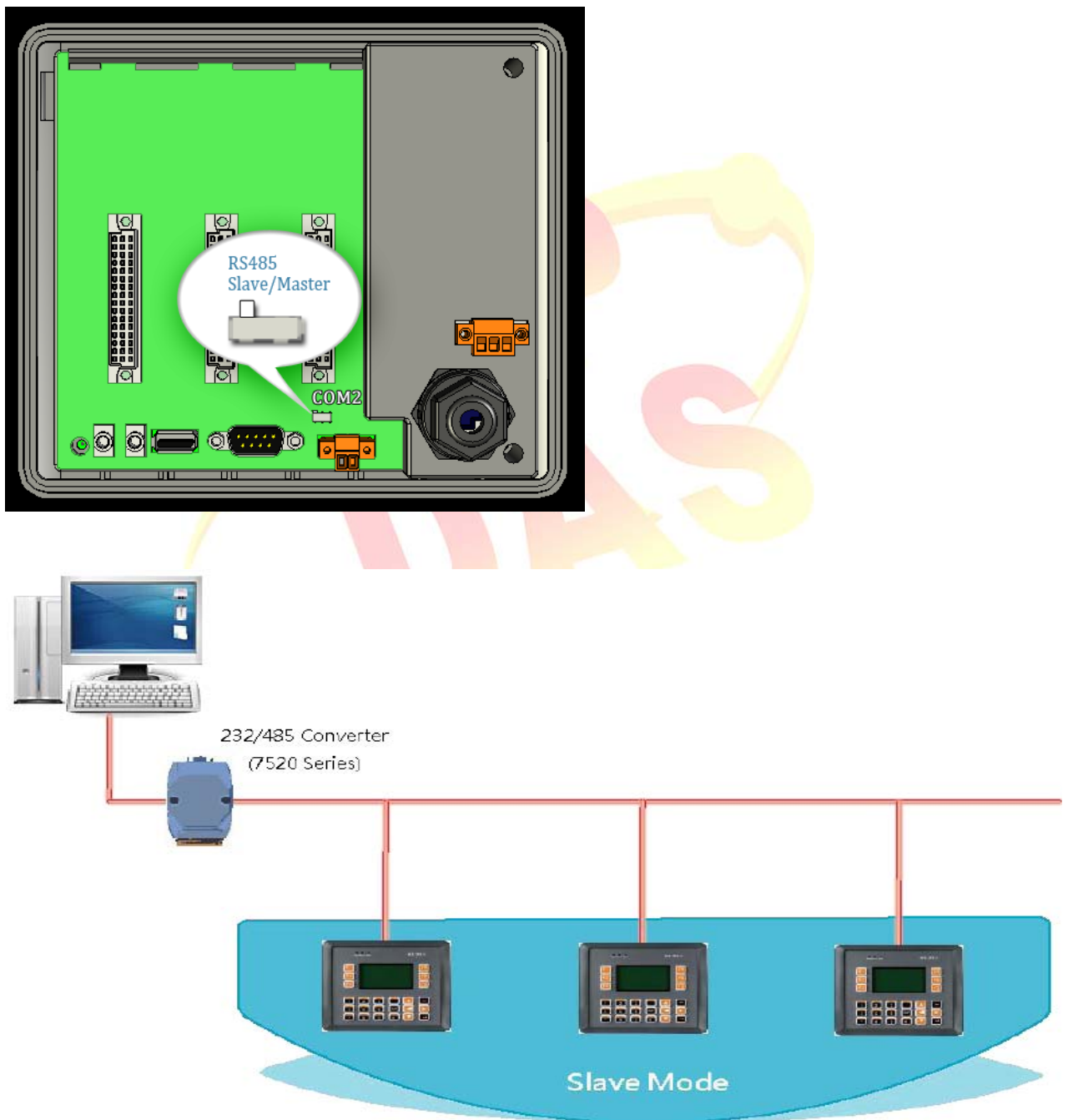
Set a ViewPAC to Master mode by adjusting the jumpers on the power board for ViewPAC (the pull-high/pull-low resistors are set to enabled). Refer to the following figure:



Classification	System and Application FAQ on WinCE PAC				No.	1-006-02	
Author	Tunglu-Yu	Version	1.0.0	Date	2010/2/12	Page	3/6

Using ViewPAC as a Slave:

When one I-7520 series module (an RS-232/485 converter) is used or other device enables pull-high/pull-low resistors already over the RS-485 network, the ViewPAC and all the other devices on the network must be set to slave mode (to disable the pull-high/pull-low resistors). Refer to the following figure to set the jumpers to the slave mode. The jumpers are located on the power board of the ViewPAC



Classification	System and Application FAQ on WinCE PAC				No.	1-006-02	
Author	Tunglu-Yu	Version	1.0.0	Date	2010/2/12	Page	4/6

Hardware Wiring

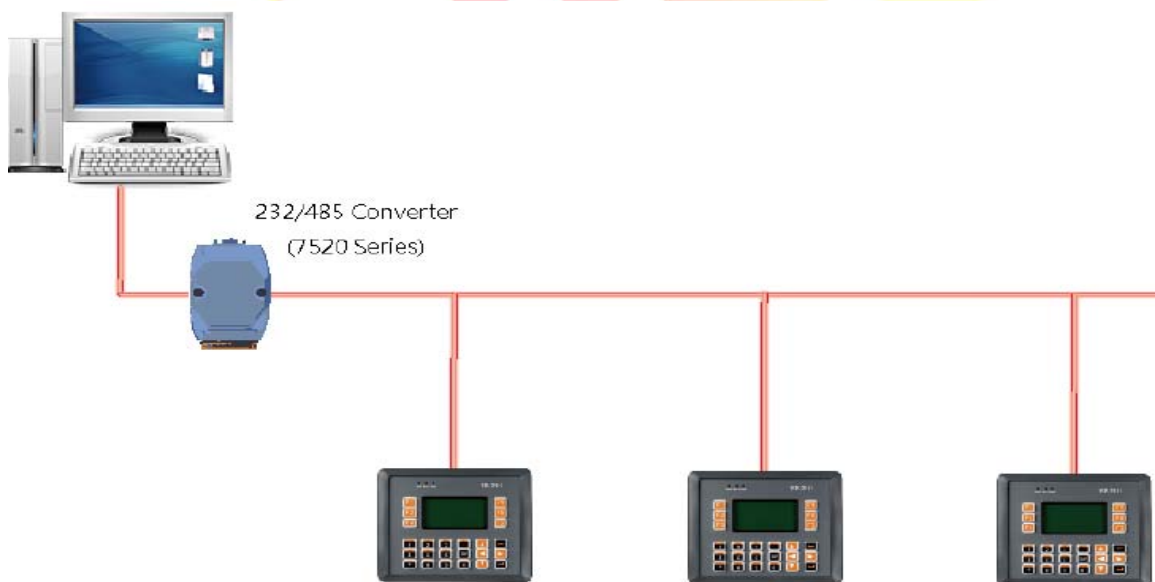
Connect the “Data+” (D+ to D+) and “Data-” (D- to D-) pins as per the example below.



Four kinds of RS-485 networks

1. Basic RS-485 Network.

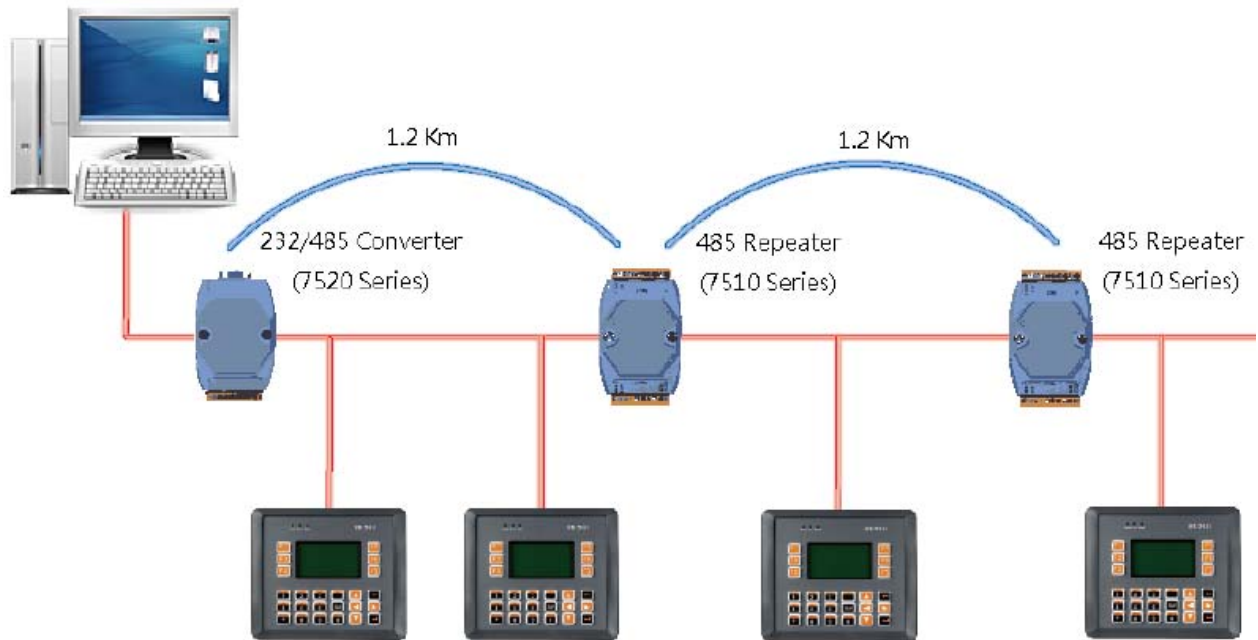
The basic components of an RS-485 network consist of a Master Controller (or a PC used as a host controller), and some RS-485 devices.



Classification	System and Application FAQ on WinCE PAC				No.	1-006-02	
Author	Tunglu-Yu	Version	1.0.0	Date	2010/2/12	Page	5/6

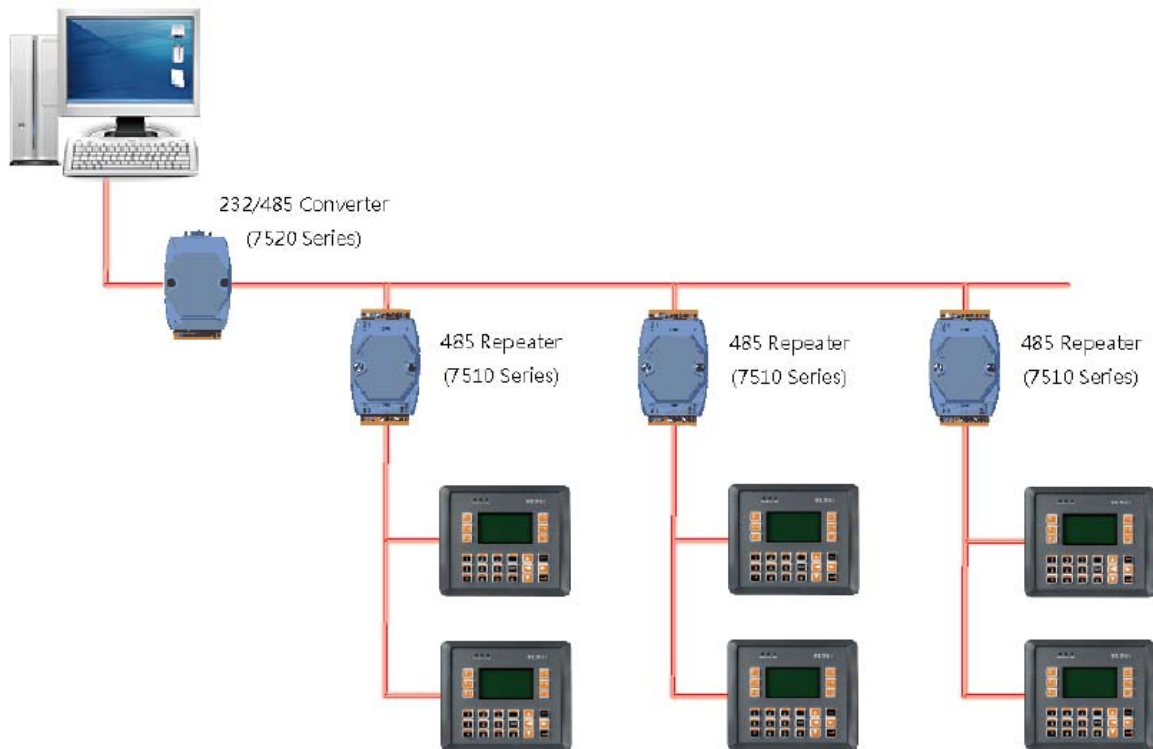
2. Daisy Chain RS-485 Network.

In the formation, all RS-485 devices are wired directly to the main network. If the total length is longer than 1.2 km, a repeater (7510 series) is needed to extend the network length.



3. Star Type RS-485 Network.

In the formation, there are branches along the main network. In this case, it is better to include a repeater to isolate or filter the noise that is made by the devices.



Classification	System and Application FAQ on WinCE PAC				No.	1-006-02	
Author	Tunglu-Yu	Version	1.0.0	Date	2010/2/12	Page	6/6

4. Random RS-485 Network.

In the formation, there are branches along the main wire. In this case, it is better to include a repeater to isolate or filter the noise that is made by the devices

