



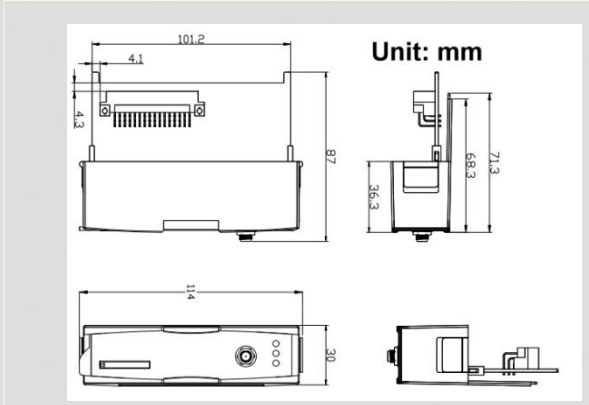
# M2M Series Products



## Industrial 4G LTE module



I-8213W-4G Series



Dimensions

The I-8213W-4G series are industrial 4G LTE modules with GPS function that work on frequencies of FDD LTE B1/B3/B5/B7/B8/B20(I-8213W-4GE) or FDD LTE B1/B3/B8 and TDD LTE B38/B39/B40/B41(I-8213W-4GC). WCDMA 850/900/2100 MHz and GSM 850 MHz, EGSM 900 MHz, DCS 1800 MHz, PCS 1900 MHz .These modules utilize the 4G, 3G or GSM/GPRS network for convenient and inexpensive data transfer from remote instruments, meters, computers or control systems in either live data or packet data. I-8213W-4G has the integrated TCP/IP stack so that even simple controllers with serial communications ports can be connected to the modem without the need for special driver implementation. With the features of I-8213W-4G, the systems can be SMS, GPRS and 4G connection applications with our PAC series like WinPAC-8000, LinPAC-8000 or XP-8000.

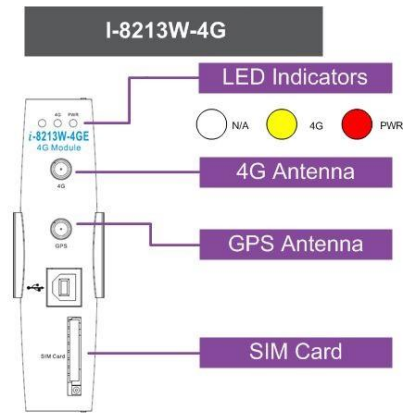
### Features

- Support FDD LTE  
B1/B3/B5/B7/B8/B20(I-8213W-4GE)
- FDD LTE B1/B3/B8 and TDD LTE  
B38/B39/B40/B41(I-8213W-4GC)
- 4 KV ESD Protection
- Designed for FDD LTE, WCDMA, GPRS and SMS Applications
- Supports TCP Server, TCP Client, UDP Client Connection stack from 4G, 3G or GPRS
- Supports Standard AT Commands
- LED Indicators for Power and GSM Indication
- High Reliability in Harsh Environment
- Supports 32-channels GPS and NMEA v0183 v3.01
- PPS: 100 ms pulse output/sec for precise timekeeping and time measurement

### Support PAC

Model	I-8213W-4GE
WinPAC-8000-CE7 (WinCE 7.0)	V
LinPAC-8000 (Linux kernel 2.6.19)	V
iPAC-8000 Compact PAC (MiniOS 7)	V
XP-8000 (Windows Embedded Standard 2009)	V

### Pin Assignment



## Hardware Specifications

Models	I-8213W-4GE	I-8213W-4GC
<b>4G System</b>		
Frequency Band(FDD)	B1/B3/B5/B7/B8/B20	B1/B3/B8
Frequency Band(TDD)		B38/B39/B40/B41
<b>3G System</b>		
Frequency Band(WCDMA)	850/900/2100 MHz	900/2100 MHz
Frequency Band(TDSCDMA)		1900/2100 MHz
<b>GSM/GPRS System</b>		
Frequency Band	850/900/1800/1900 MHz	900/1800MHz
GPRS connectivity	GPRS class 12; GPRS station class B	
DATA	GSM max. 85.6kb/s UMTS max. 384kb/s DC-HSPA+ max. 42mb/s LTE-FDD max. 100mb/s	
Coding Schemes	CS 1, CS 2, CS 3, CS 4	
<b>SMS</b>		
SMS	MT, MO, CB, Text and PDU mode	
<b>Comm. Interface</b>		
USB	USB 2.0 (high speed)	
<b>GPS Interface</b>		
Support Channels	32	
Protocol Support	NMEA 0183	
<b>LED Indicators</b>		
Power	Red color	
GPRS	Yellow color	
<b>Power</b>		
Frame Ground Protection	ESD, Surge, EFT, Hi-Pot	
Power Consumption	Idle: 0.15 A @ 5 V <sub>DC</sub> ; Data Link: 0.2 ~ 1.62 A (peak) @ 5 V <sub>DC</sub>	
<b>Mechanical</b>		
Casing	Plastic	
Dimensions (W x L x H)	30mm x 85mm x 114mm	
<b>Environment</b>		
Operating Temperature	-25°C ~ +75 °C	
Storage Temperature	-30°C ~ +80 °C	
Humidity	5~95% RH, non-condensing	

## Applications

### Industrial 4G LTE module

