



G-4510 Series Quick Start

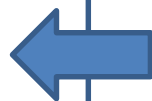
Version 1.0 August 2019

1 Product Content

In addition to this Quick Start, this product also includes these accessories:



G-4510



4G Antenna
(ANT-421-04)



GPS Antenna
(ANT-115-03)



(GPS Antenna only provide with G-4510P and G-4510PD)



RS-232 Cable
(CA-0910)



Screwdriver



L-shaped side fixing piece

2 Related Documents and Software Utilities

G-4510 Series Related Documents and Software Utilities

<http://ftp.icpdas.com/pub/cd/usbcd/napdos/g-4510>

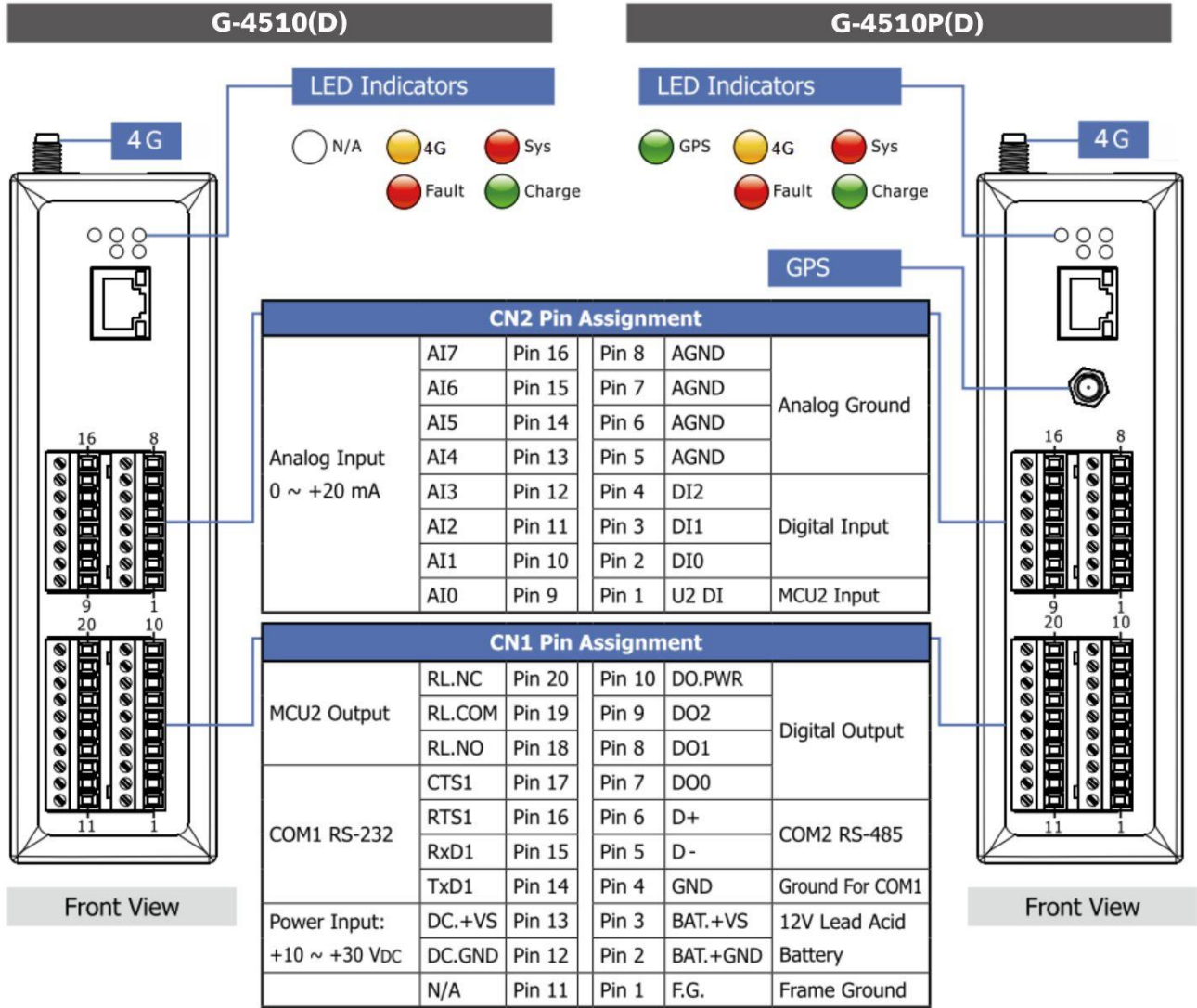
MiniOS7 Utility

http://ftp.icpdas.com/pub/cd/8000cd/napdos/minios7/utility/minios7_utility/

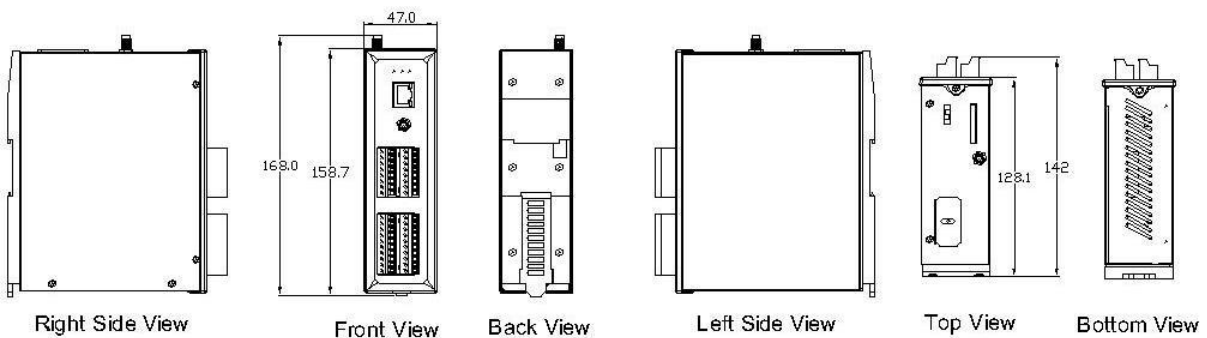
3

Hardware Installation

Pin Assignments



Dimensions



Unit : mm

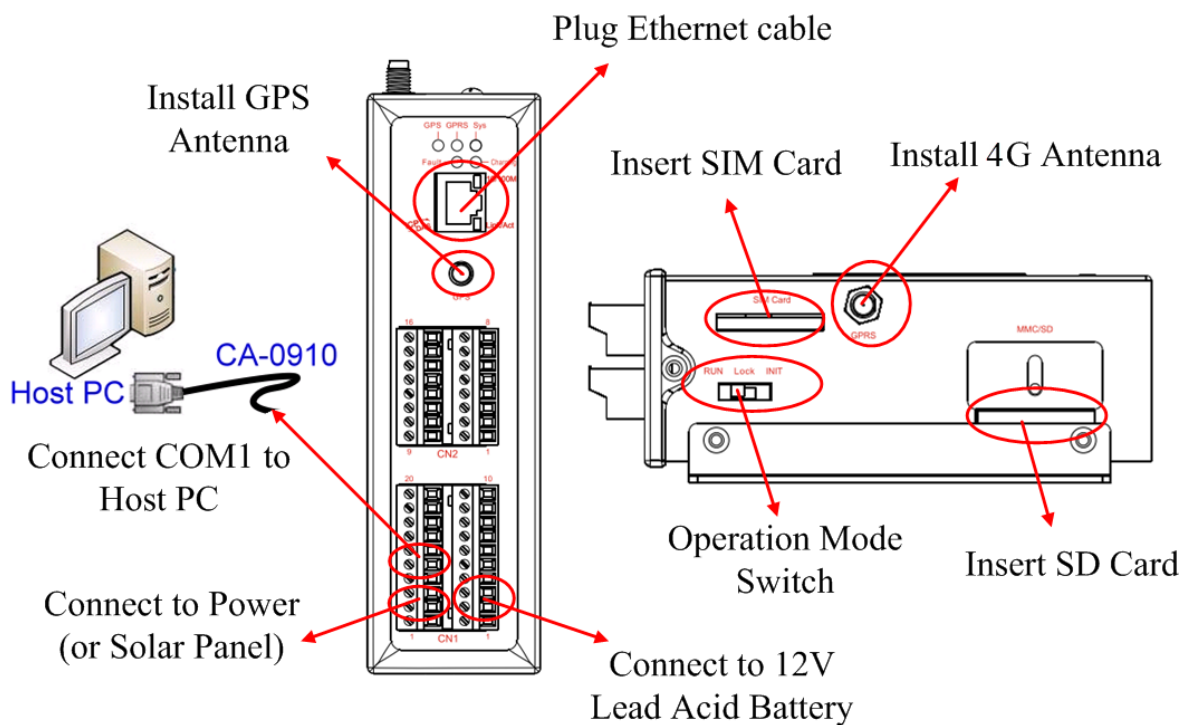
Installation

Step 1: Install 4G antenna.

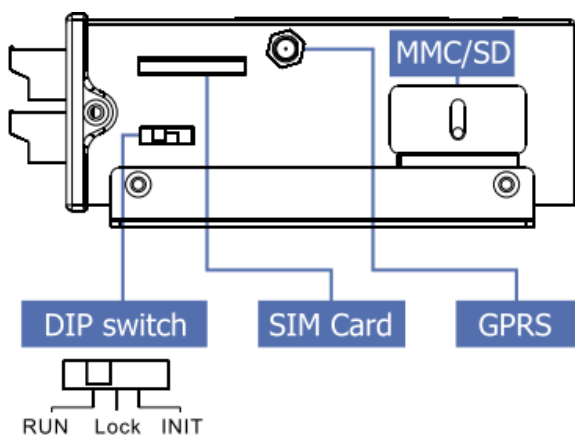
Step 2: Plug in the normal SIM card (Before apply the SIM card, confirm it is OK by mobile phone.)

Step 3: Connect the DC.+VS and DC.GND to the power supply or Solar Panel.

Step 4: Connect BAT.+VS and BAT.GND to the 12V Lead Acid Battery.



Operation Mode Switch



Operation Mode Switch	
RUN	OS can execute autoexec.bat
	Flash can be read/write.
LRun	OS can execute autoexec.bat
	Flash is read only (lock).
INIT	OS can not execute autoexec.bat
	Flash can be read/write.

Wire Connection

➤ Digital Input Wire Connection

Input Type	ON State DI value as 0	OFF State DI value as 1
Relay Contact		
TTL/CMOS Logic		
Open Collector		

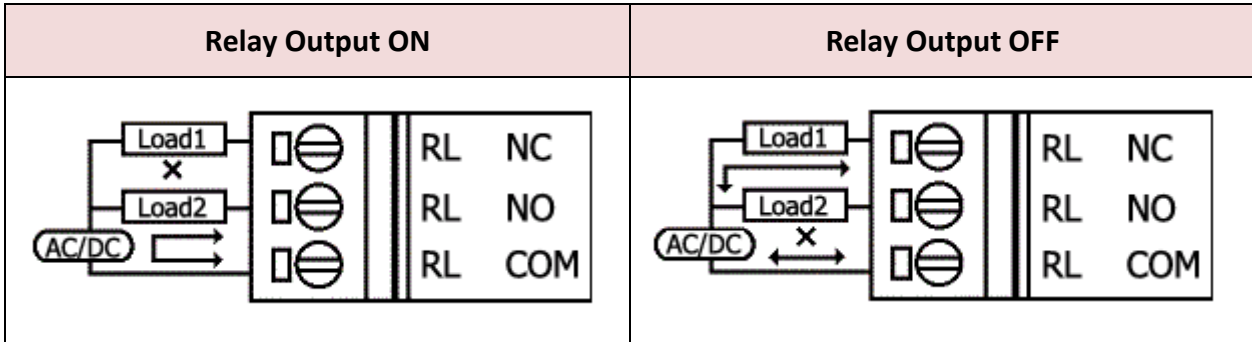
➤ Digital Output Wire Connection

Input Type	ON State DO value as 1	OFF State DO value as 0
Drive Relay		
Resistance Load		

➤ Current Input Wire Connection

Input Type	
------------	--

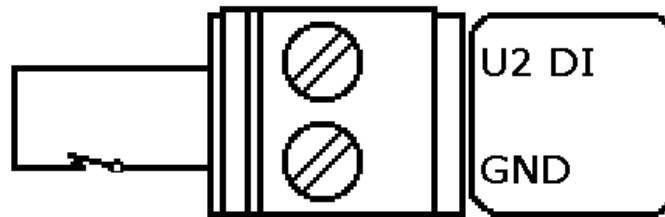
➤ **Relay Wire Connection**



Wake up from Sleep mode

Step 1: When G-4510 was in sleep mode, you can connect the Pin “U2 DI” (MCU2 DI) to GND. to awaking G-4510 from sleep mode.

Step 2: You will read “U2 DI” as 0, when you connect “U2 DI” to GND.



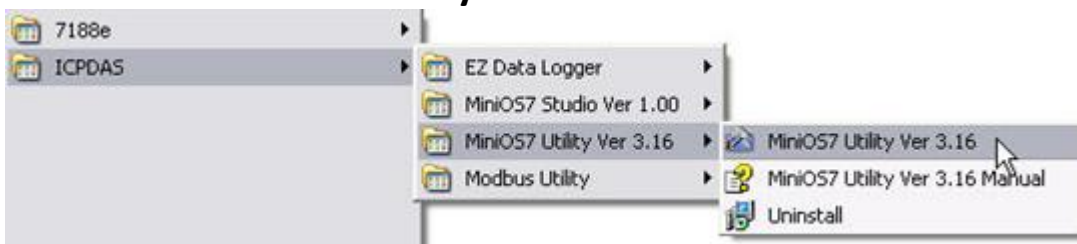
4 Download and Run Programs

4.1 Install MiniOS7 Utility

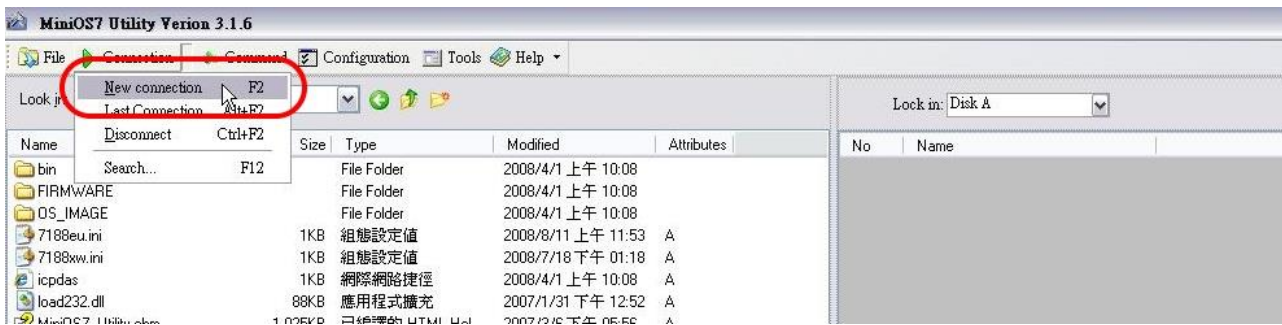
The installation software can be obtained from :

http://ftp.icpdas.com/pub/cd/8000cd/napdos/minios7/utility/minios7_utility/

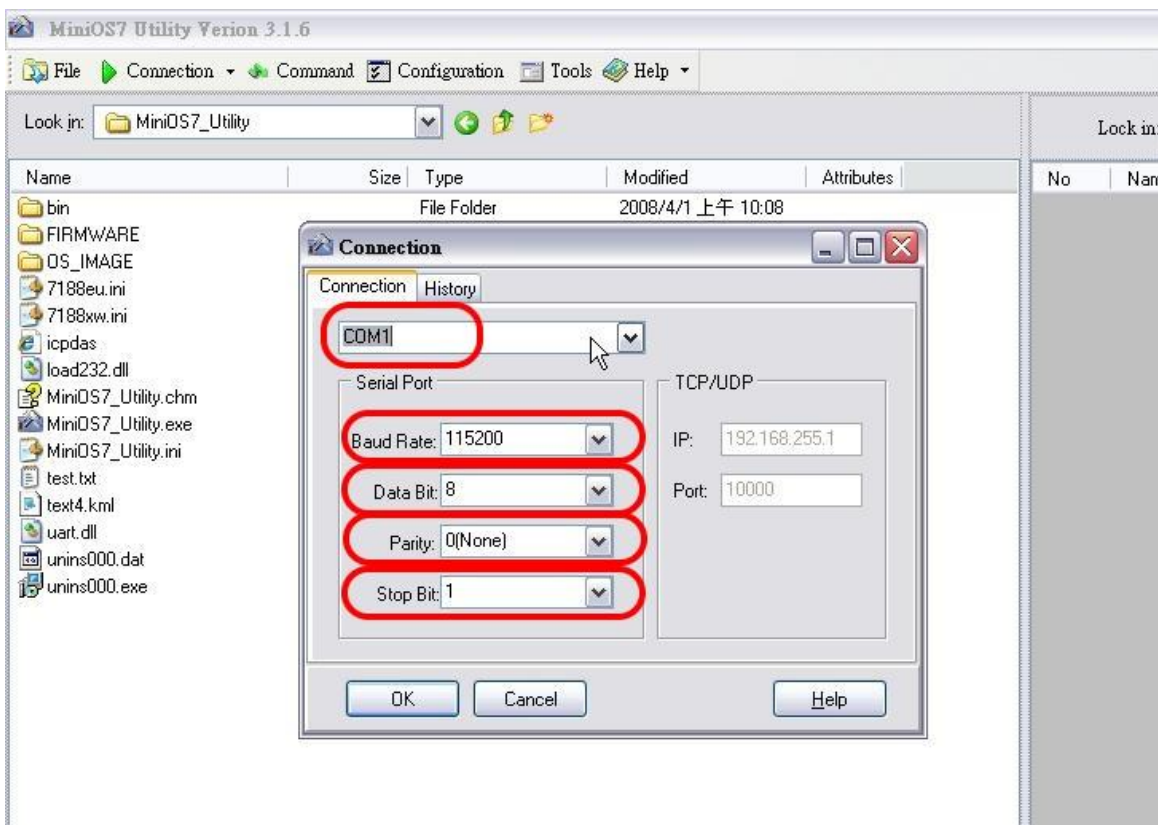
4.2 Launch MiniOS7 Utility



4.3 Select connect G-4510 to Host PC



4.4 Setup the COM Port parameter



Tips & Warnings



G-4510 default COM Port parameter: 115200, 8, N, 1

4.5 Download Demo into the G-4510

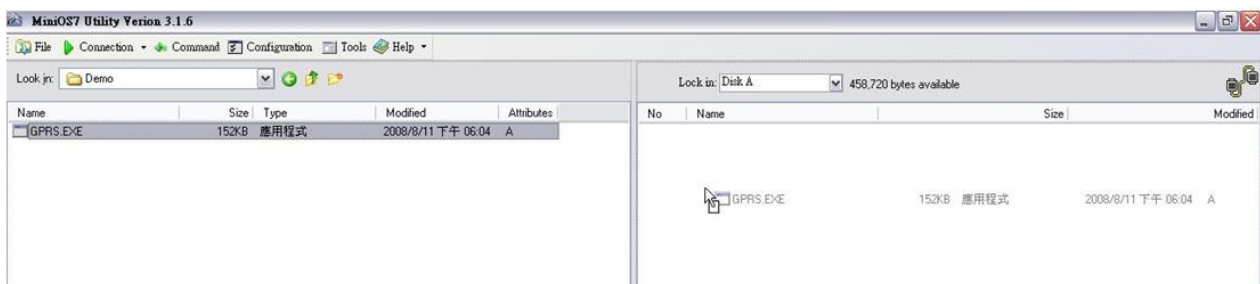
A. You can be obtained from the following location :

CD: \napdos\G-4510\Software\Demo

<http://ftp.icpdas.com/pub/cd/usbcd/napdos/g-4510/software/demo>

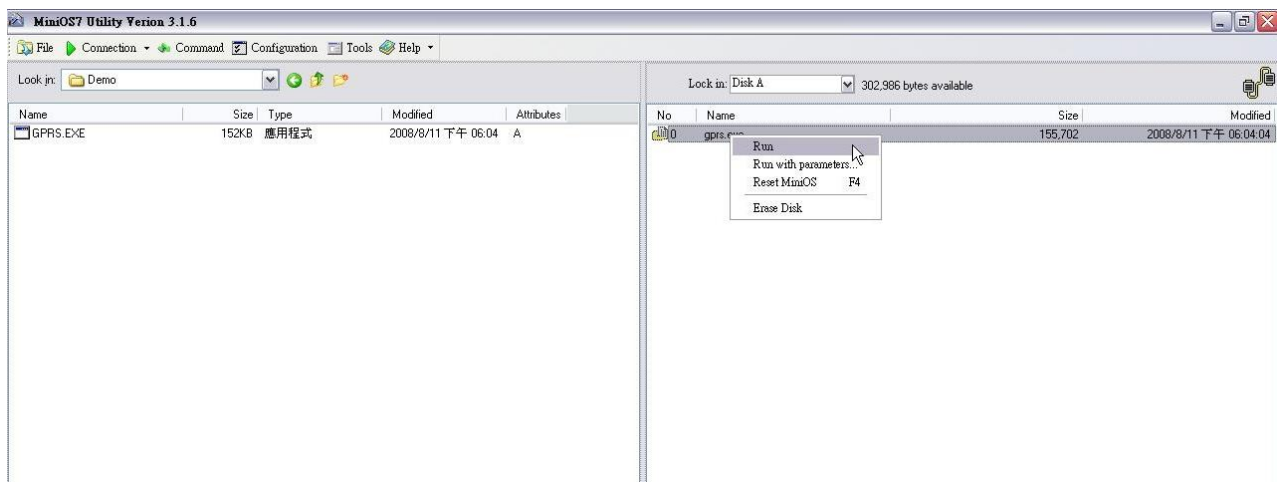
B. Click the “Look in” pull-down menu to the location of Demo.

C. Drag-and-drop the files from left hand window to right hand window.



4.6 RUN the Demo

Step 1 : Click “Run” .



Step 2 : Key in the command, “run”, to implement the execution file.


```
ca 7188X W 1.32 [COM1:115200,N,8,1],FC=0,CTS=0, DIR=D:\Demo
7188x for WIN32 version 1.32 <2006/10/17>[By ICPDAS. Tim Tsai.]
[Begin Key Thread...]
Current set: Use COM1 115200,N,8,1
AutoRun:
Autodownload files: None
Current work directory="D:\Demo"
original baudrate = 115200!
now baudrate = 115200!

uP-4500>
uP-4500>run
```

5 Technical Support

If you have problems about using the G-4510 series, please contact ICP DAS product support.

Email : Service@icpdas.com

G-4510 Series Website :

<http://m2m.icpdas.com/g-4510-series.html>