



G-4500D-3GWA Series

Quick Start

Date 2012/8/14

Package Checklist

The package includes the following items:

- One G-4500D-3GWA hardware module
- One Quick Start (this manual)
- One companion CD
- One RS-232 download cable (CA-0910)
- One 3G antenna
- Screw Driver
- Two mounting screws (G-4500D only)
- Two L-type wall mount flat pieces (G-4500D only)



	G-4500D
Casing	Metal
Dimensions	47 mm x 142 mm x 168 mm (W x L x H)
Installation	DIN-Rail and Wall mount

Related Documents and Software Utilities

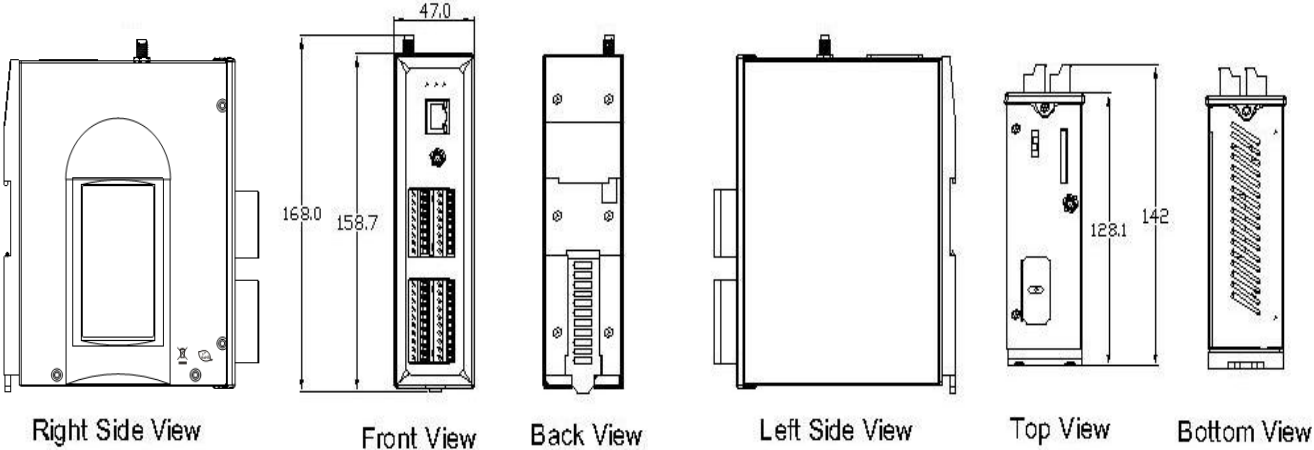
Documents

- User Manual: G-4500-3GWA_User_Manual.pdf
- Quick Start: G-4500D-3GWA_QuickStart.pdf
- CD: \napdos\G-4500-3GWA\Manual
- <http://ftp.icpdas.com/pub/cd/usbcd/napdos/g-4500-3gwa/manua>
|

MiniOS7 Utility

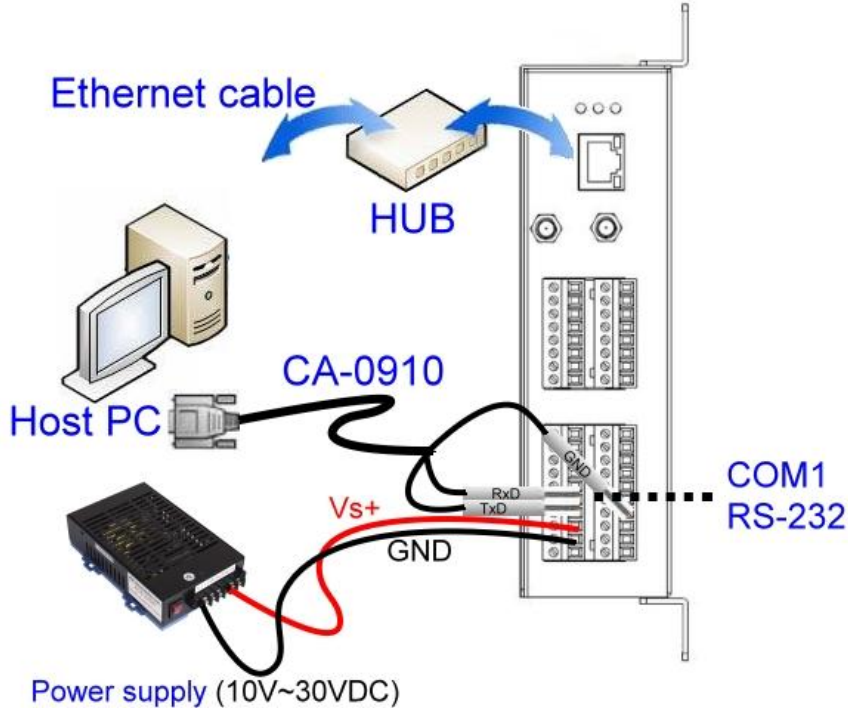
- Http://ftp.icpdas.com/pub/cd/8000cd/napdos/minios7/utility/minios7_utility/

➤ **G-4500D-3GWA Dimensions (Unit: mm)**



Unit : mm

➤ **Connect the G-4500D-3GWA to power and Host PC**



➤ **Operation Mode Switch**

Operation Mode Switch	
RUN	OS can execute autoexec.bat
	Flash can be read/write.
LRun	OS can execute autoexec.bat
	Flash is read only (lock).
INIT	OS can not execute autoexec.bat
	Flash can be read/write.

➤ Wire Connection

● Digital Input Wire Connection

Input Type	ON State DI value as 0	OFF State DI value as 1
Relay Contact		
TTL/CMOS Logic		
Open Collector		

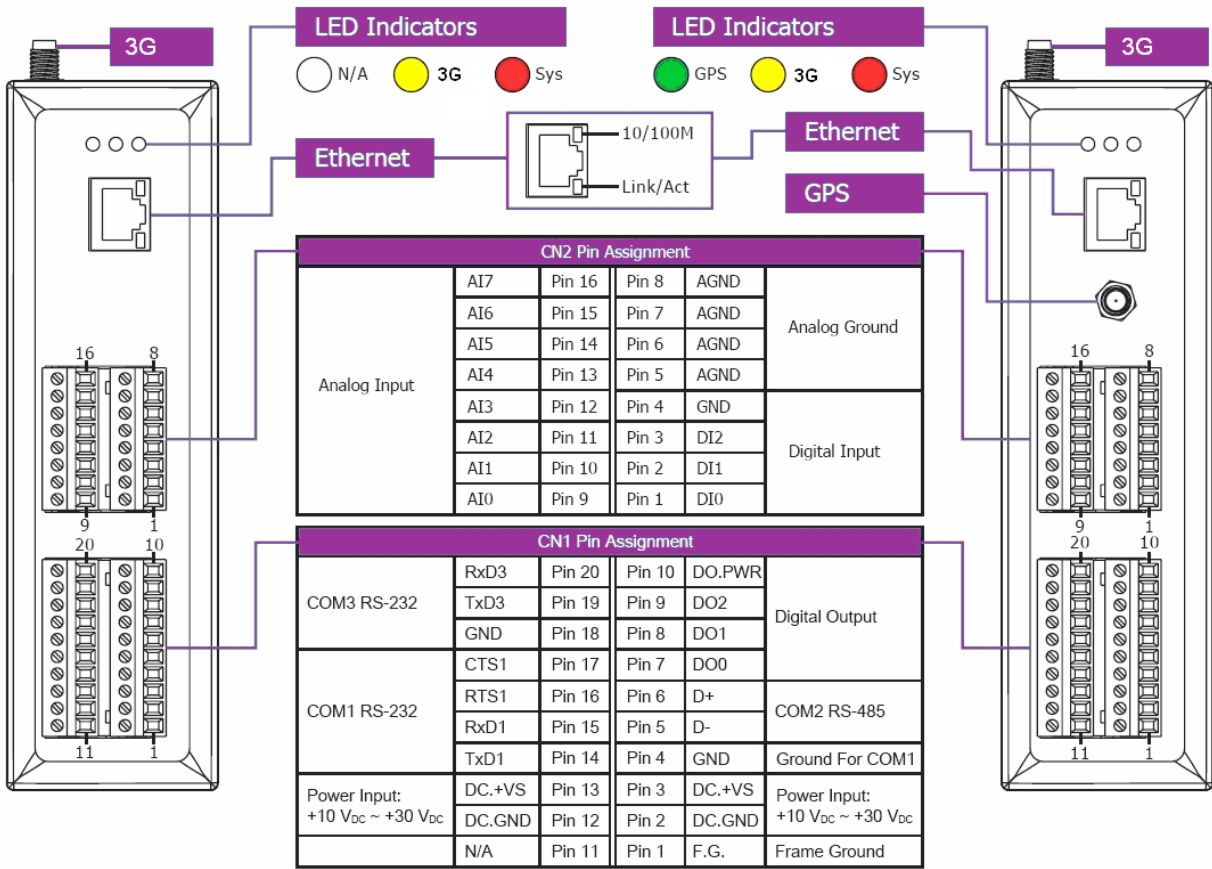
● Digital Output Wire Connection

Input Type	ON State DO value as 1	OFF State DO value as 0
Drive Relay		
Resistance Load		

● Current Input Wire Connection

Input Type	
------------	--

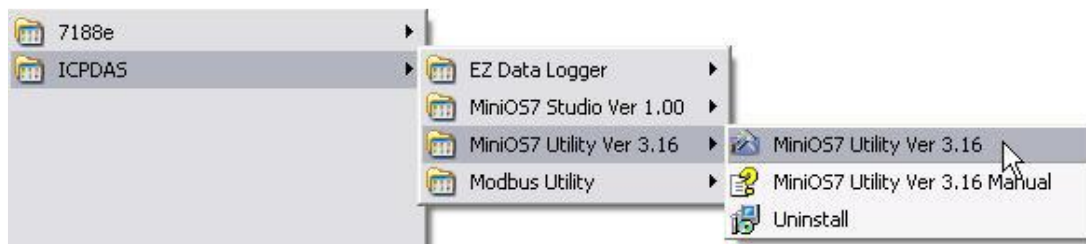
➤ Pin Assignments



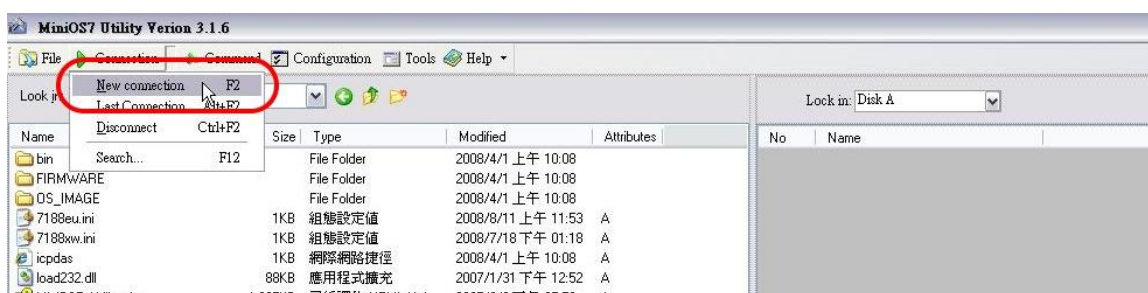
➤ Install MiniOS7 Utility

The installation software can be obtained from:
http://ftp.icpdas.com/pub/cd/8000cd/napdos/minios7/utility/minios7_utility/

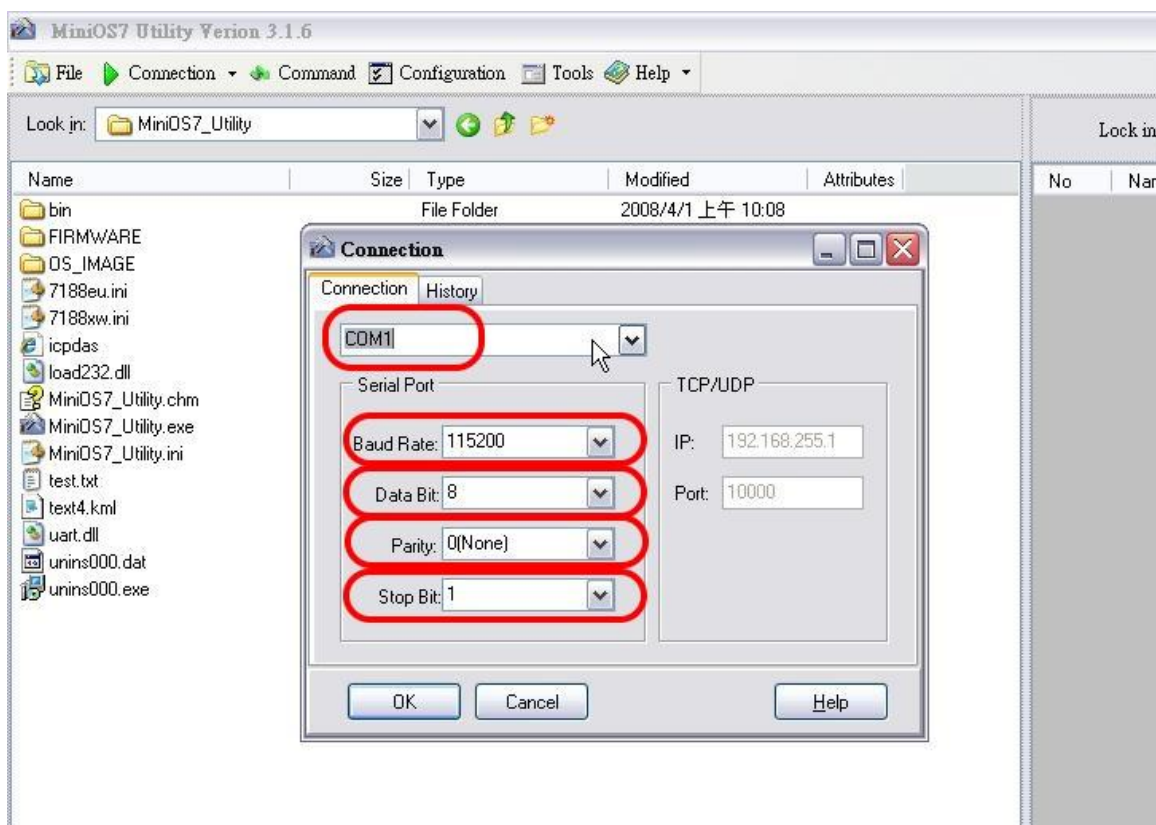
➤ Launch MiniOS7 Utility



➤ Select connect G-4500D to Host PC



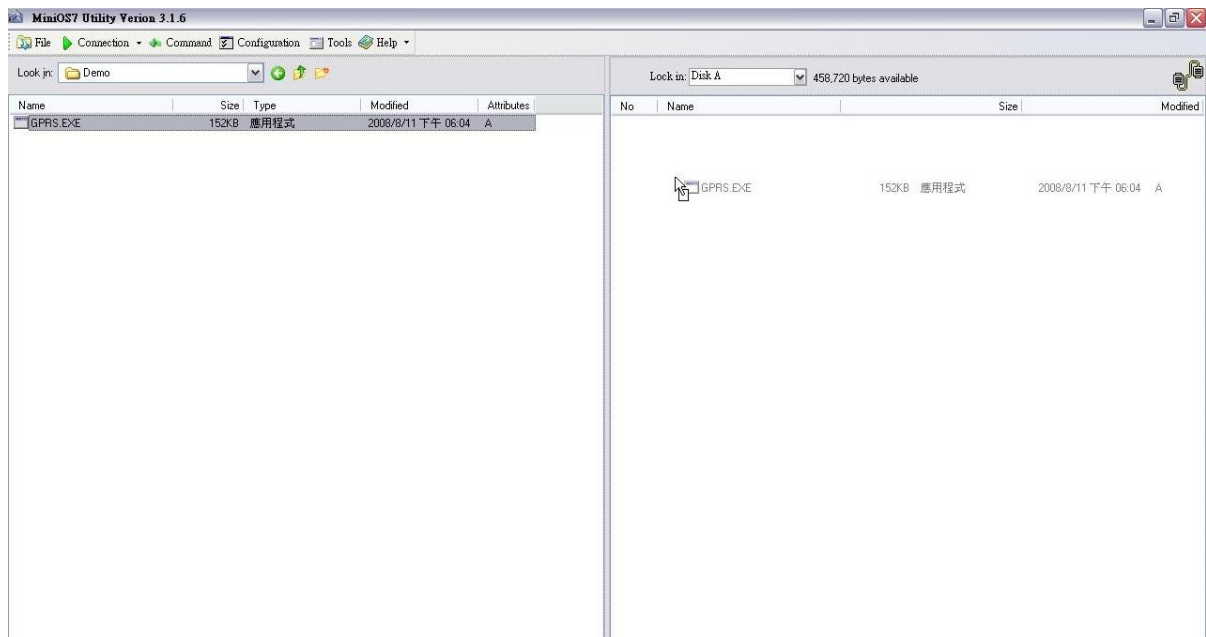
➤ Setup the COM Port parameter



Note: G-4500D default COM Port parameter 115200, 8, N, 1

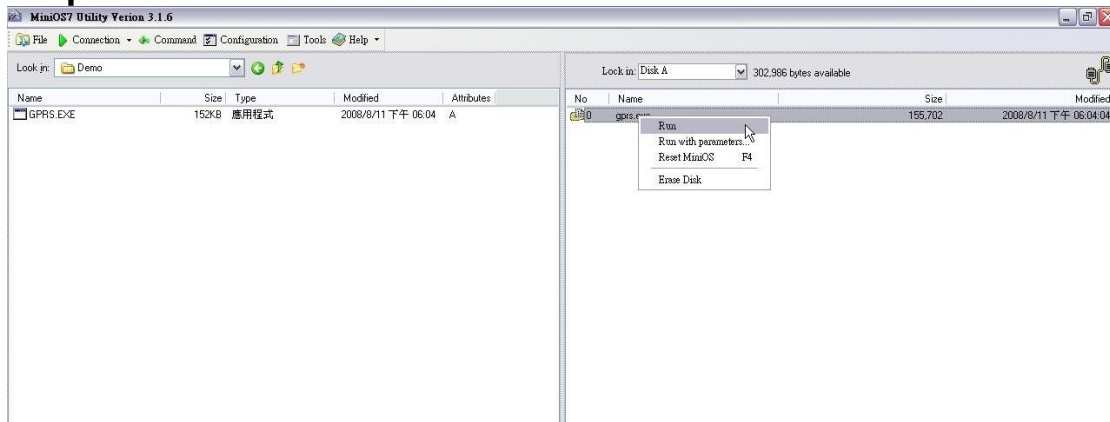
➤ Download Demo into the G-4500D

1. You can be obtained from the following location:
CD: \napdos\G-4500-3GWA\Software\Demo
[Http://ftp.icpdas.com/pub/cd/usbcd/napdos/g-4500-3gwa/software/demo](http://ftp.icpdas.com/pub/cd/usbcd/napdos/g-4500-3gwa/software/demo)
2. Click the “Look in” pull-down menu to the location of Demo.
3. Drag-and-drop the files from left hand window to right hand window.

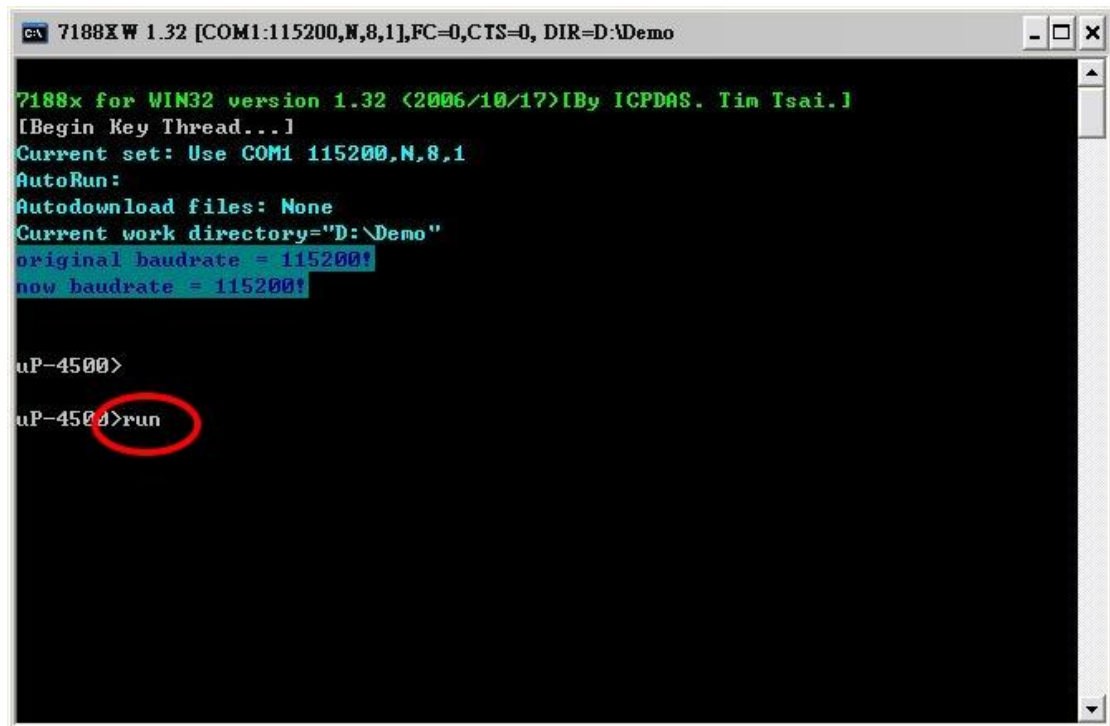


➤ RUN the Demo

Step1.



Step2. Key in the command, “run”, to implement the execution file.



➤ Technical Support

1. ICP DAS Service : service@icpdas.com
2. G-4500D software Website:
<http://ftp.icpdas.com/pub/cd/usbcd/napdos/g-4500/software/>