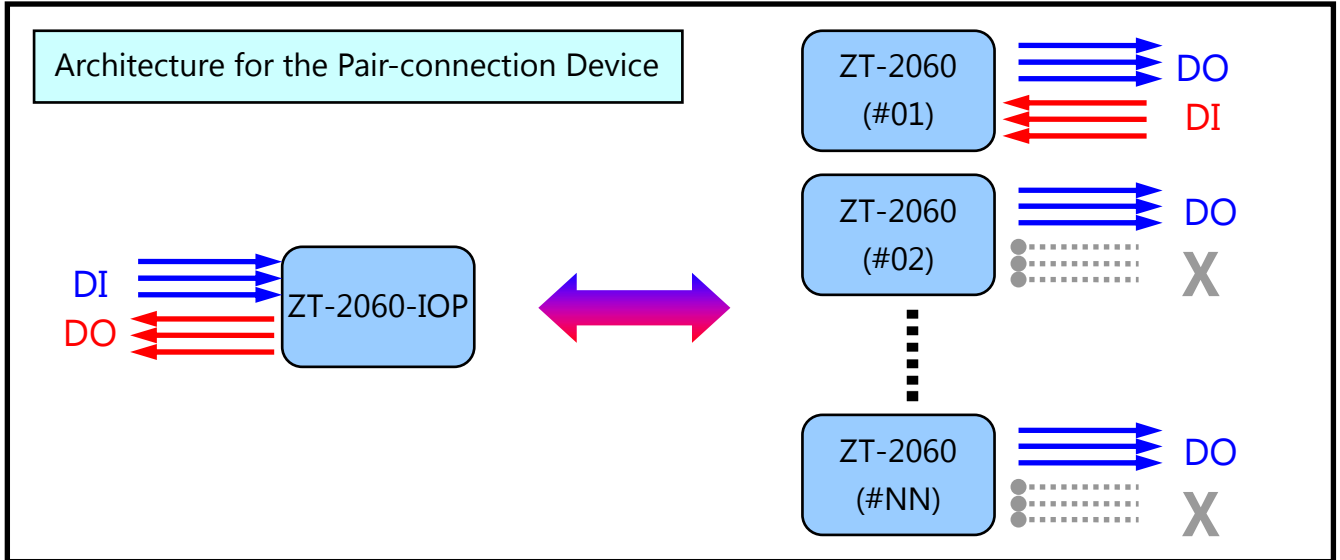


# ZT-2060-IOP Quick Start

## ZigBee Wireless I/O Pair Connection



## 1 What's in the shipping package?

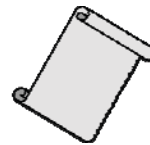
The package includes the following items:



ZT-2060-IOP Device



ANT-124-05



Quick Start Guide

## 2 Preparing the device

1. Install the ZT Configuration Utility (v2.0.3 or later) if the ZT-2060-IOP is NOT paired with ZT-2060 device, the software configuration is needed.

CD: \Napdos\ZigBee\ZT\_Series\Utility

[http://ftp.icpdas.com/pub/cd/usbcd/napdos/zigbee/zt\\_series/utility](http://ftp.icpdas.com/pub/cd/usbcd/napdos/zigbee/zt_series/utility)

2. Power Supply: +10 ~ +30 V<sub>DC</sub>

# 3 Introduction of configurations

## Overview of the ZT-2060-IOP Hardware Configuration

The DIP and Rotary switches should be adjusted based on the specific network requirements, as described below.

### ➤ Rotary Switch (LSB Address)

- A. On the ZT-2060-IOP, this switch is fixed and cannot be adjusted. (The ZigBee coordinator is always set to 0x0000)
- B. On the ZT-2060, the switch is used to define the Device ID and Node ID for the ZigBee network.

Rotary Switch	Value	Note
ZT-2060-IOP	0	RUN, Node ID=0x0000
	1 ~ 15	INIT (Software Configuration)
ZT-2060	1 ~ 15 (0x0001 ~ 0x000F)	Can be set to any position from '1' to 'F' based on the number of I/O pairs

### ➤ DIP Switch (1) (MSB Address)

- A. On the ZT-2060, this switch is used to define the **MSB** (Most Significant Bit) **address**.

### ➤ DIP Switches (1~3) (Pair Number / Protocol, Checksum)

- A. On the ZT-2060-IOP, these switches are used to define the **number of I/O pairs** for showing debug message via LED indicators. It polls every ZT-2060 device every 10 seconds via an Unicast frame to check the **connection survival**.
- B. On the ZT-2060, these switches are used to define the **protocol** and **checksum**.

DIP Switch No.	1	2	3	Note
ZT-2060-IOP	Pairing Number			Connection Survival
	OFF	OFF	OFF	0 (check slave 0x01)
	OFF	OFF	ON	1 (check slave 0x01 – 0x02)
	OFF	ON	OFF	2 (check slave 0x01 – 0x03)
	OFF	ON	ON	3 (check slave 0x01 – 0x04)
	ON	OFF	OFF	4 (check slave 0x01 – 0x05)
	ON	OFF	ON	5 (check slave 0x01 – 0x06)
	ON	ON	OFF	6 (check slave 0x01 – 0x07)
ZT-2060	MSB Address	Protocol	Checksum	
	OFF	OFF (DCON)	OFF	

➤ **DIP Switch (4)** (Safe Value / Pan ID)

This switch is used to enable the **watchdog** of the remote ZT-2060 device to start the safe value function.

DIP Switch No.	DIP Switch 4	Note
ZT-2060-IOP	OFF (0x0000)	If the safe value function of the remote ZT-2060 is disabled
	ON (0x0001)	If the safe value function of the remote ZT-2060 is enabled
ZT-2060	OFF (0x0000)	※The Pan ID configuration is fixed at the 0x0000

➤ **DIP Switches (5~8)** (RF Channel)

These switches are used to define the **RF channel** used for both the ZT-2060-IOP and ZT-2060 and the values set for both devices must be the same.

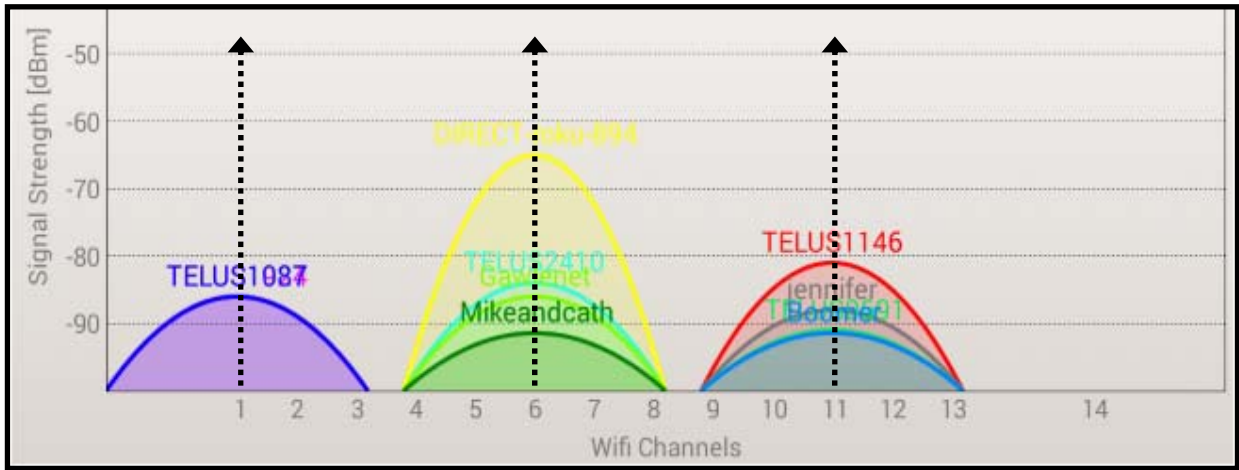
DIP Switch No.	5	6	7	8	Note
ZT-2060-IOP ZT-2060	0x08	0x04	0x02	0x01	Value
	OFF	OFF	OFF	OFF	0 (2405 MHz)
	OFF	OFF	OFF	ON	1 (2410 MHz)
	OFF	OFF	ON	OFF	2 (2415 MHz)
	OFF	OFF	ON	ON	3 (2420 MHz)
	OFF	ON	OFF	OFF	4 (2425 MHz)
	OFF	ON	OFF	ON	5 (2430 MHz)
	OFF	ON	ON	OFF	6 (2435 MHz)
	OFF	ON	ON	ON	7 (2440 MHz)
	ON	OFF	OFF	OFF	8 (2445 MHz)
	ON	OFF	OFF	ON	9 (2450 MHz)
	ON	OFF	ON	OFF	A (2455 MHz)
	ON	OFF	ON	ON	B (2460 MHz)
	ON	ON	OFF	OFF	C (2465 MHz)
	ON	ON	OFF	ON	D (2470 MHz)
	ON	ON	ON	OFF	E (2475 MHz)
ON	ON	ON	ON	F (2480 MHz)	

※The RF channel must be set to the same value on both devices.

※ The Method of Channel Selection :

Scan the channel of WLAN which have been occupied via some tools. For example, you can download the application of Wifi Analyzer in your Smartphone. It would help you to detect the wireless signal and analysis the WLAN.

As the below screenshot shown, there are several WLAN on the channel 1, 6 and 11. User can refer the below chart of Wifi and ZigBee to select the best channel. As the result we know the ZigBee channel 4, 9, E and F are not overlap with the WLAN, and they are recommended.



ZigBee	WiFi													
CH 0 (2405)														
CH 1 (2410)	<b>CH 1 (2412)</b>													
CH 2 (2415)		<b>CH 2 (2417)</b>												
CH 3 (2420)			<b>CH 3 (2422)</b>											
CH 4 (2425)				<b>CH 4 (2427)</b>										
CH 5 (2430)					<b>CH 5 (2432)</b>									
CH 6 (2435)									<b>CH 6 (2437)</b>					
CH 7 (2440)										<b>CH 7 (2442)</b>				
CH 8 (2445)	<b>CH 8 (2447)</b>													
CH 9 (2450)		<b>CH 9 (2452)</b>												
CH A (2455)			<b>CH 10 (2457)</b>											
CH B (2460)				<b>CH 11 (2462)</b>										
CH C (2465)					<b>CH 12 (2467)</b>									
CH D (2470)									<b>CH 13 (2472)</b>					
CH E (2475)										<b>CH 14 (2484)</b>				
CH F (2480)														

## Overview of the ZT-2060-IOP Software Configuration (Advanced)

A number of advanced functions and configurations are available on ZT-20XX-IOP devices, including functions related to wireless encryption, Safe Values for the output channels, adjustable I/O pairings and the ability to modify remote devices that have a different number of I/O channels to be paired, etc.

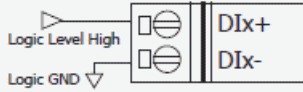
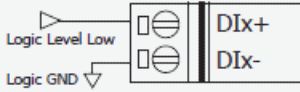
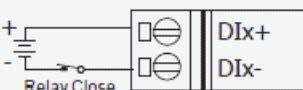
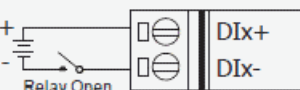
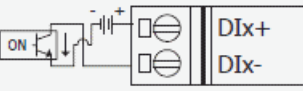
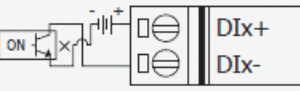
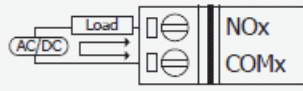
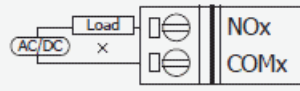
By default, device pairing is fixed to devices with the same number of I/O channels. The following is an overview of common ZT-20XX-IOP and ZT-20XX device pairings.

Number of I/O Pairs	Synchronization	ZT-20XX-IOP	ZT-20XX
4/4	Two-way	ZT-2060-IOP	ZT-2060
8	One-way	ZT-2052-IOP	ZT-2042
8/8	Two-way	ZT-2055-IOP	ZT-2055
14	One-way	ZT-2053-IOP	ZT-2043

Flexibility in device pairings for ZT-20XX-IOP devices can be achieved through software configuration. Please refer the section 3.4 of the user manual for more details.

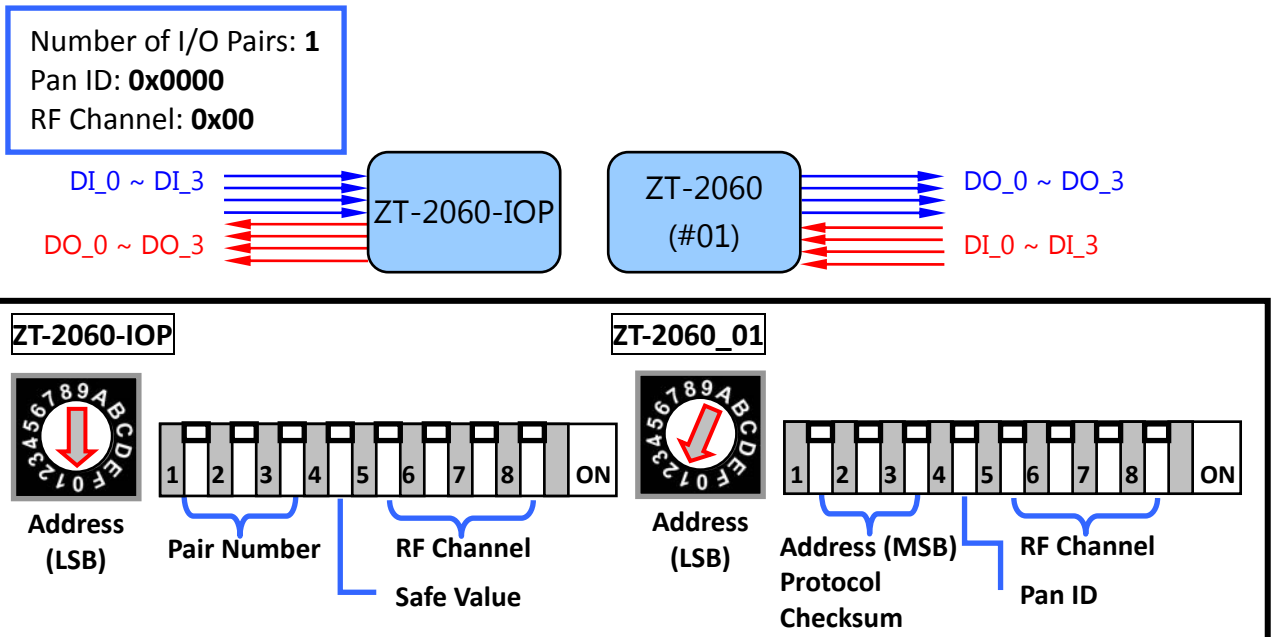
# 4 Wire Connections

## ➤ ZT-2060-IOP and ZT-2060

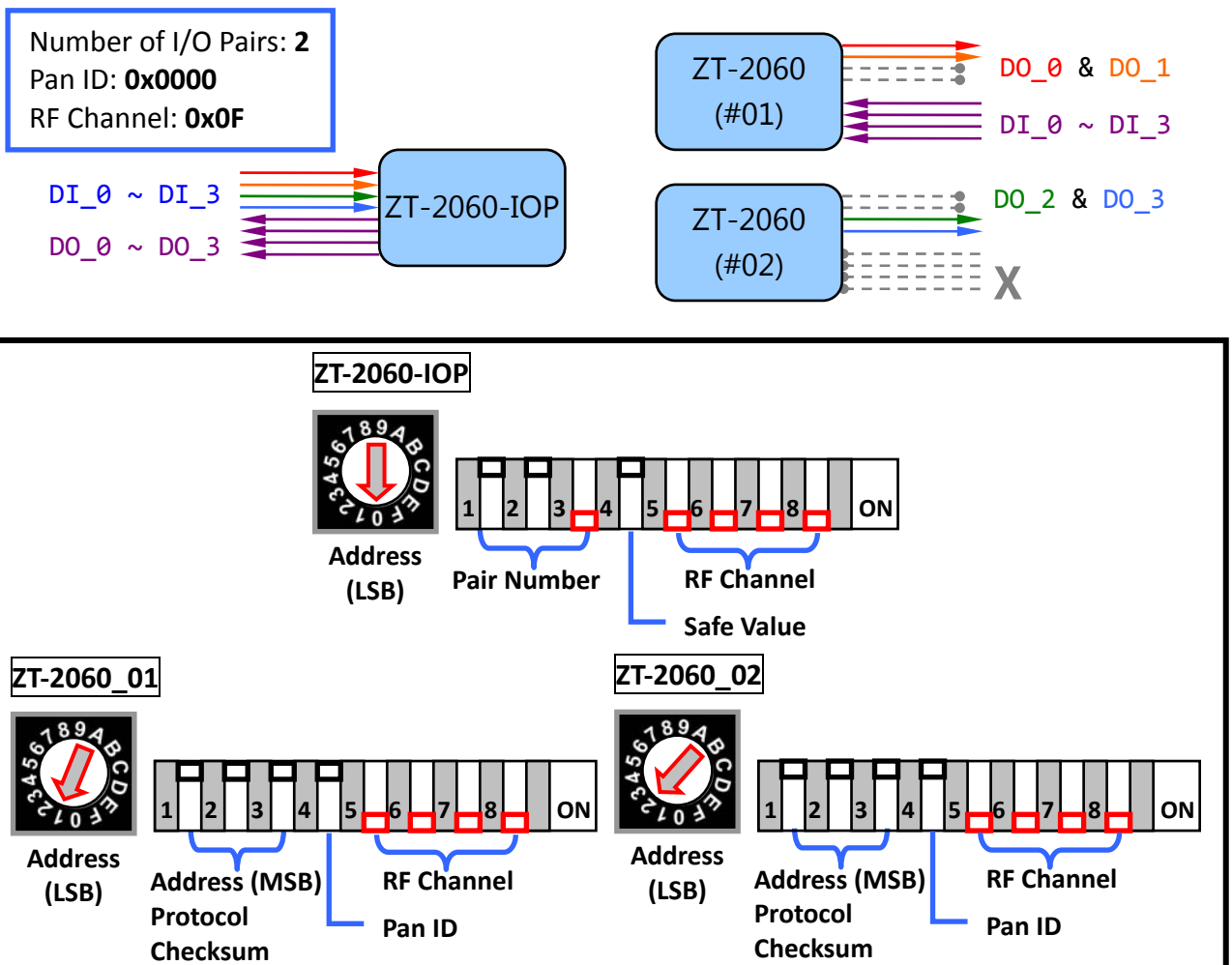
Input Type	ON State LED ON Readback as 1	OFF State LED OFF Readback as 0
TTL/ CMOS Logic	Voltage > 3.5V	Voltage < 1V
		
	Relay ON	Relay OFF
Relay Contact		
Open Collector	Open Collector ON	Open Collector OFF
		
Output Type	ON State LED ON Readback as 1	OFF State LED OFF Readback as 0
Relay Contact	Relay ON	Relay OFF
		

# 5 Applications

## ➤ Example 1 (Default: One-to-One I/O Pair-connection)

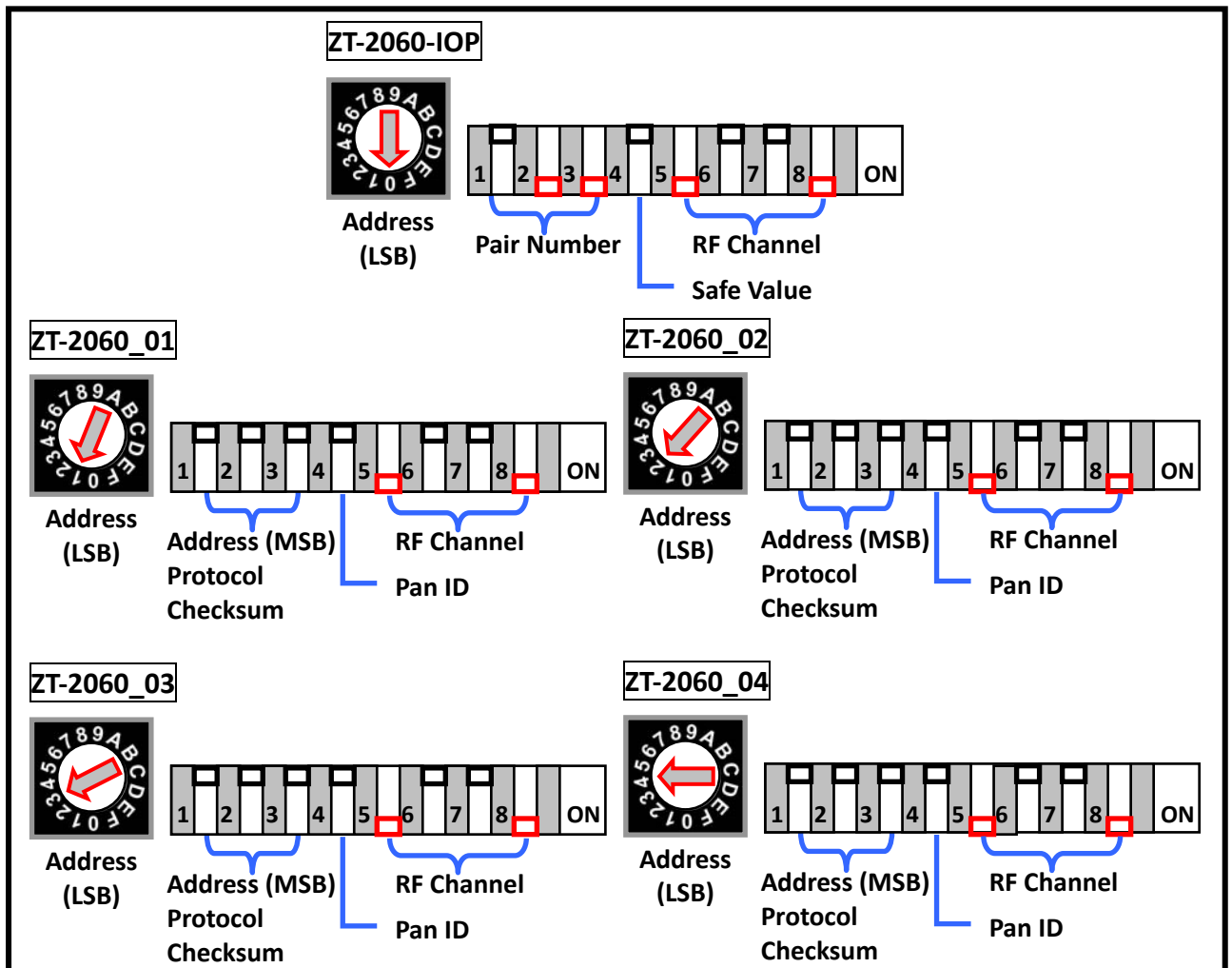
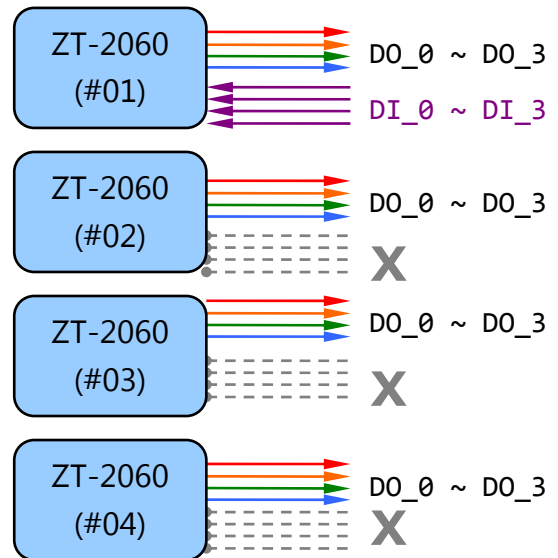
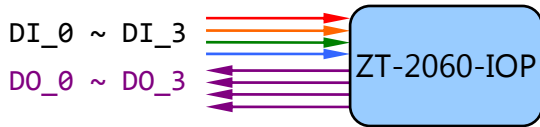


## ➤ Example 2 (Synchronizing different digital channels to different devices)



➤ **Example 3 (Synchronizing all of the digital channels to different devices)**

Number of I/O Pairs: 4  
 Pan ID: 0x0000  
 RF Channel: 0x09



# 6 Appendix

## ➤ LED Indicators

ZT-2060-IOP	Status	Remarks
PWR	Steady Lit	ZigBee communication is functioning correctly
	Flashing Once	Communication to ZigBee slave 0x01 has been lost
	Flashing Twice	Communication to ZigBee slave 0x02 has been lost
	.....	.....
ZigBee	Flashing Eight Times	Communication to ZigBee slave 0x08 has been lost
	Steady Lit	ZigBee network has been established
	Flashing to Steady Lit	Rejoin again the ZigBee network or it has occupied
DI	ON/Off	The status of the DI channels
DO	ON/Off	The status of the DO channels

ZT-2060	Status	Remarks
PWR	Steady Lit	The power is on
	Blinking (200ms)	There was a Module Initialization failure
	Blinking (1s)	The Host Watchdog is enabled
	Steady Unlit	The power is off
ZigBee	Steady Lit	The signal strength is high
	Blinking (500 ms)	The signal is available
	Blinking (1s)	The signal is weak
	Blinking (2s)	The signal is poor or no ZigBee network is available.
DI/DO	Steady Lit	The DI/DO channel is enabled
	Steady Unlit	The DI/DO channel is disabled

## ➤ Technical Service

If you have any difficulties using your ZT-2000-IOP series I/O device, please send a description of the problem to [service@icpdas.com](mailto:service@icpdas.com)

Include the following items in your email:

- *A description or diagram of the current DIP switch positions.*
- *A copy of the configuration file for the ZT-IOP coordinator. This file can be obtained using the procedure outlined below and should be attached to your email.*