



# TPD-703/703-64 Quick Start

v1.1, Jan. 2019

## What's in the box?

Thanks for buying ICPDAS TPD-703/703-64 device. This shipping package contains the following items:



TPD-703/703-64 x 1



Quick Start x 1  
(This Document)



Stylus x 1

## Related Information

If you are new to TPD-703/703-64, please read the “**Chapter 3. Getting Started**” of the **TouchPAD Hardware User Manual** for detailed information about install the free development tool – HMIWorks and how to create your first project.

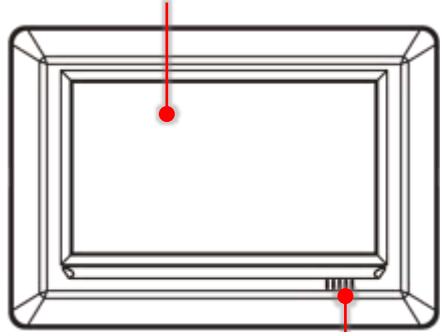
- Documents, such as the User Manuals, the API References, etc.: <http://ftp.icpdas.com/pub/cd/touchpad/document/>
- Free Development Software, HMIWorks v2.10.10 or above: <http://ftp.icpdas.com/pub/cd/touchpad/setup/>

If you have any questions, please feel free to contact us via email.

# 1 Appearance

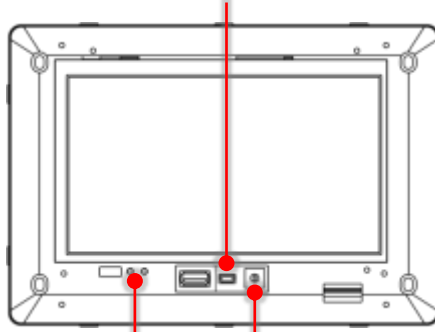
## Front View

7" TFT LCD with Touch Panel



Buzzer

Reset Button

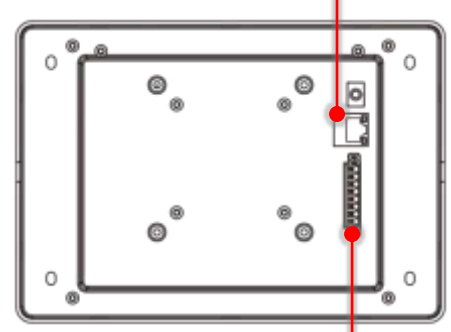


LED Indicator

Rotary Switch

## Rear View

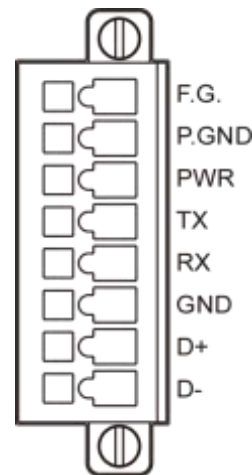
Ethernet



Serial Port

# 2 Pin Assignments

On the back of the TPD-703(-64)




No	Pin	Description
0	F.G.	Frame Ground. F.G. is connected to the inside EMI or ESD suppression circuits. Make sure that F.G. is connected to the Earth
1	P.GND	Connected to the power supply's ground pin
2	PWR	DC input Voltage (range: +12 V ~ +48 V)
3	TX	The pin of transmitted data of the RS-232
4	RX	The pin of received data of the RS-232
5	GND	Ground pin
6	D+	The positive data line of the RS-485 network
7	D-	The negative data line of the RS-485 network

# 3

## Rotary Switch & Default Settings

The definition of the rotary switch:

	No	Mode	Description
	0	Run & Update	This is a special run mode which is used in the development stage. The TouchPAD device can be updated by a PC from the remote side through Ethernet. <b>(Default)</b>
	1	Force Update	While the application run on the TouchPAD device seriously crashes, use this mode to update a new application to the TouchPAD device through Ethernet.
	2	Run Only	Run the program.

### Network Default Settings

IP Address	192.168.255.1
Subnet Mask	255.255.0.0
Gateway	192.168.0.1

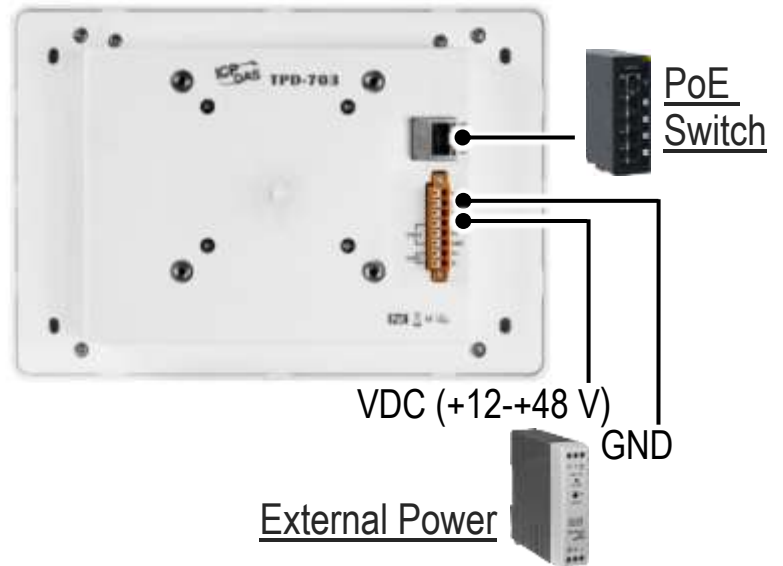
# 4

## First Use of the TPD-703(-64)

1. Connect wires as the below figure or prepare an Ethernet cable which will be used to supply power through PoE if there's a RJ-45 Ethernet port on it. And set the rotary switch to 0 (At this point, the power is not yet supplied).



Use a flat-head screwdriver to set rotary switch



2. Supply power to the TPD-703(-64), wait for several seconds and then you can see the default program run on it.

3. Try to touch on the icons on the bottom-right corner of the screen of the TPD-703(-64) and you can find that TPD-703(-64) switches to the setting pages.

# 5 Hardware Installation

External Wall Box, EWB-T70 (optional)

Outlet Box, OB170 (optional)





# TPD-703/703-64 快速入門指南

v1.1, 2019 年 1 月

## 檢查配件

感謝您購買泓格的 TPD-703/703-64 產品。產品包裝內應包含下列配件：



TPD-703/703-64 x 1



產品須知 x 1 (本文件)



觸控筆 x 1

## 參考資訊

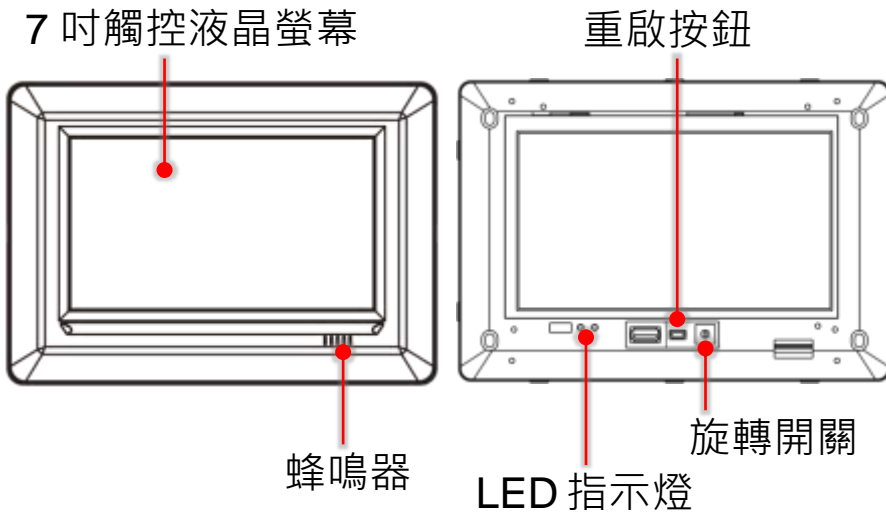
如果您是第一次使用 TPD-703/703-64，請參閱 **TouchPAD 硬體使用手冊** 的“**第 3 章 啟動 TouchPAD**”來了解如何安裝免費的開發軟體 HMIWorks 並建立第一個專案以及更多詳細的相關資訊。

- 相關文件，如使用手冊、應用程式介面指南(API Reference) 等：  
<http://ftp.icpdas.com/pub/cd/touchpad/document/>
- 免費開發軟體，HMIWorks 版本 2.10.10 或以上版本：  
<http://ftp.icpdas.com/pub/cd/touchpad/setup/>

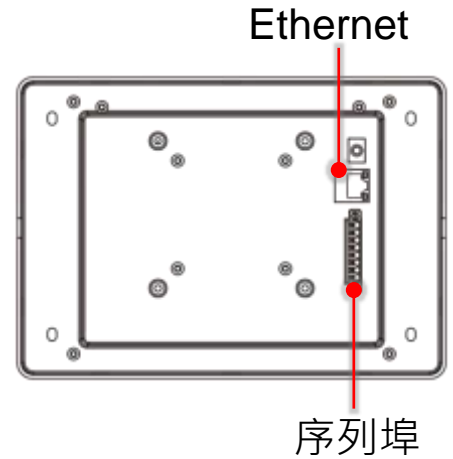
如有任何問題歡迎使用 E-mail 聯繫我們，我們將會為您提供完善的諮詢服務。

# 1 外觀

前配置圖

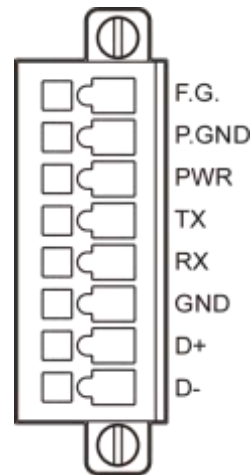


後配置圖



# 2 腳位定義

在 **TPD-703/703-64** 的背面可見到如右圖




No	Pin	說明
0	F.G.	機架接地，F.G. (連接到內部的 EMI 或 ESD 保護電路)，請接到大地
1	P. GND	連到電源的接地端
2	PWR	直流電壓輸入 (範圍：+12 V ~ +48 V)
3	TX	RS-232 的傳送資料腳位
4	RX	RS-232 的接收資料腳位
5	GND	接地端
6	D+	RS-485 網路的正訊號線
7	D-	RS-485 網路的負訊號線

# 3

## 旋轉開關及出廠預設值

旋轉開關的配置模式定義：

	No	模式	說明
	0	Run & Update	執行/更新程式，用於程式開發階段（能執行程式，也能進行更新）。通過乙太網路（Ethernet）可以進行遠端更新程式。 <b>(出廠預設)</b>
	1	Force Update	強制更新，當程式異常而無法進入上述更新時可用此模式更新。
	2	Run Only	執行程式。

網路設定出廠預設如下表：

IP Address	192.168.255.1
Subnet Mask	255.255.0.0
Gateway	192.168.0.1

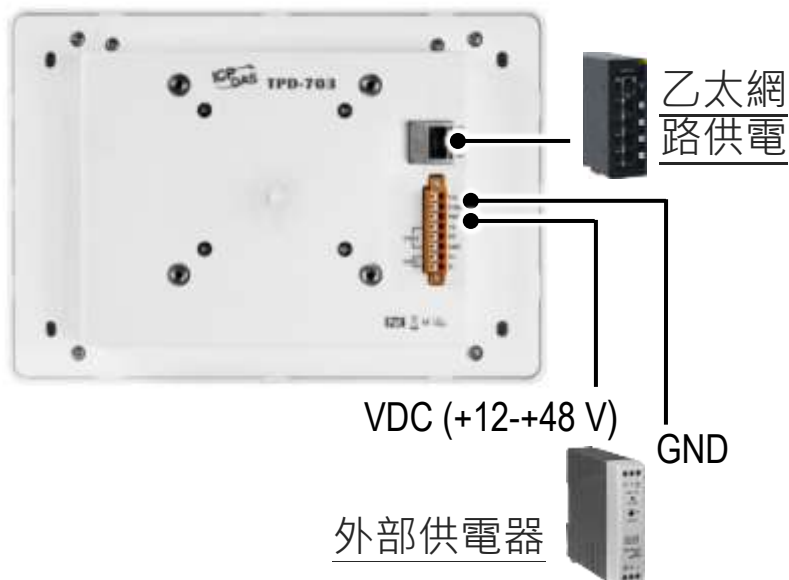
# 4

## 第一次使用 TPD-703(-64)

1. 如下圖所示，將電源和接地線連接完成。或是若有 RJ-45 的乙太網路接孔，可以準備一條網路線，透過乙太網路供電 (PoE)。然後將旋轉開關 (Rotary Switch) 轉到 0 (此時尚未供電)。



使用一字起子  
來配置旋轉開關



2. 開始供電給 TPD-703(-64) , 等待約數秒的開機時間 , 接著可以看到 TPD-703(-64) 執行出貨預附的程式如左圖所示。

3. 試著按一下 TPD-703(-64) 螢幕上面的圖示 , TPD-703(-64) 會切到其他的頁面。

## 5 硬體安裝

安裝於專用明盒 EWB-T70(選購)



安裝於專用暗盒 OB170 (選購)

