

TPD-432F-H

Quick Start Version 1.1

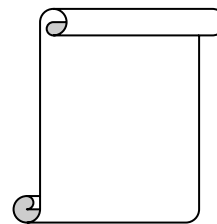
1 Shipping package

Thanks for buying ICPDAS TPD-432F-H device. This shipping package contains the following items:

TPD-432F-H x1

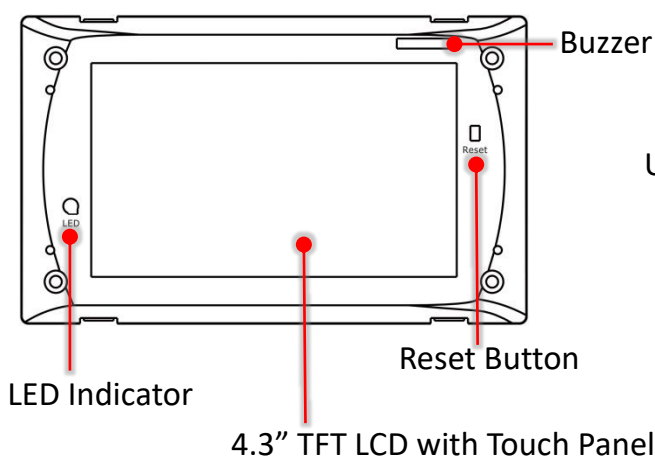


Quick Start x1

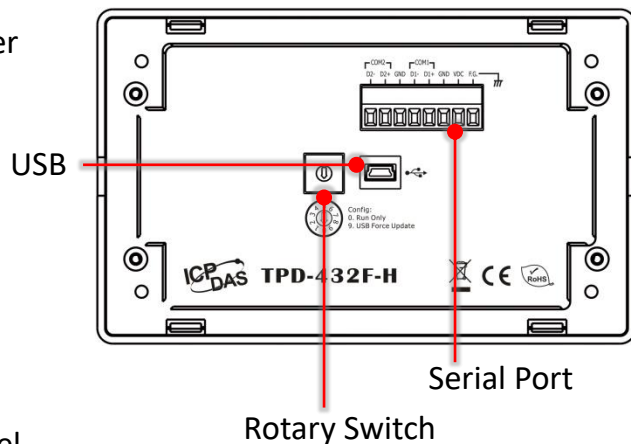


2 Appearance

Front View

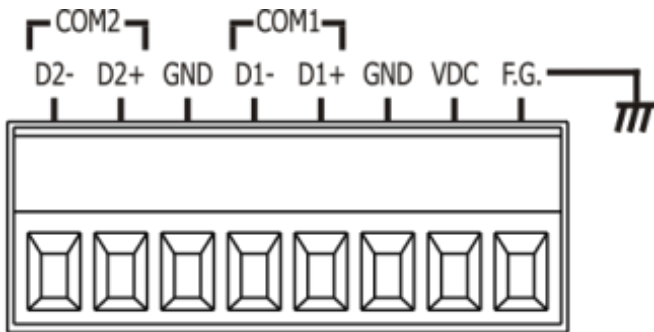


Rear View



3 Pin Assignment

On the back of the TouchPAD:



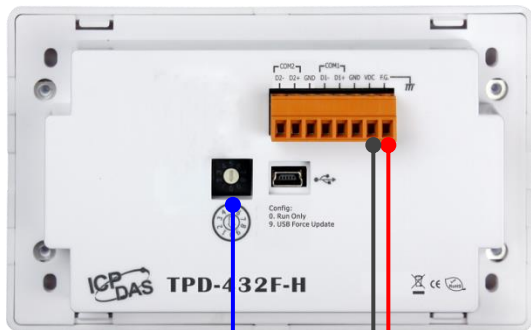
The pin assignments:

Pin	Description
F.G.	Frame Ground. F.G. is connected to the inside EMI or ESD suppression circuits. Make sure that F.G. is connected to the Earth
VDC	DC input Voltage (range: +12 V ~ +48 V)
GND	Connected to the power supply's ground pin
D1+	The positive data line of the RS-485 network
D1-	The negative data line of the RS-485 network
GND	Ground pin
D2+	The positive data line of the RS-485 network
D2-	The negative data line of the RS-485 network

The definition of the rotary switch:

	No	Mode	Description
	0	Run Only	Run the program.
	9	USB Force Update	Update a new application to the TouchPAD device through USB.

4 First Use of the TPD-432F-H



1. Connect wires as the figure. And set the rotary switch to zero (At this point, the power is not yet supplied).



Use a flat-head screwdriver to set rotary switch

2. Supply power to the TPD-432F-H, wait for several seconds and then you can see the default program run on it.
3. Try to touch on the icons on the screen of the TPD-432F-H and you can find that TPD-432F-H switches to another page.



5 Creating First Project

To create your first project of the TPD-432F-H, install the free development tool, HMIWorks and then refer to <<TouchPAD_programming_guide.pdf>>, which can be found on the web: http://ftp.icpdas.com/pub/cd/touchpad/document/english/programming_guide/

6 Hardware Installation

TPD-432F-H with External Wall Box,
EWB-T43F (optional)



TPD-432F-H with Outlet Box,
OB140F (optional)



7 Related Information

- TPD-432F-H Product Page:

http://www.icpdas.com/root/product/solutions/hmi_touch_monitor/touchpad/tpd-43xf-h.html

- Documents, such as the user manuals, the API references, etc.:

<ftp://ftp.icpdas.com/pub/cd/touchpad/document/english/>

- Free Development Software, HMIWorks v2.10.24 or above:

<ftp://ftp.icpdas.com/pub/cd/touchpad/setup/>

If you have any questions, please feel free to contact us via email at:

service@icpdas.com, service.icpdas@gmail.com

TPD-432F-H

快速入門指南 版本 1.1

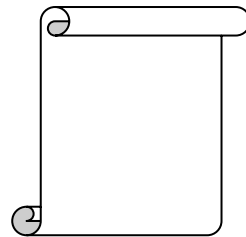
1 檢查配件

感謝您購買泓格的 TPD-432F-H 產品。產品包裝內應包含下列配件：

TPD-432F-H x1

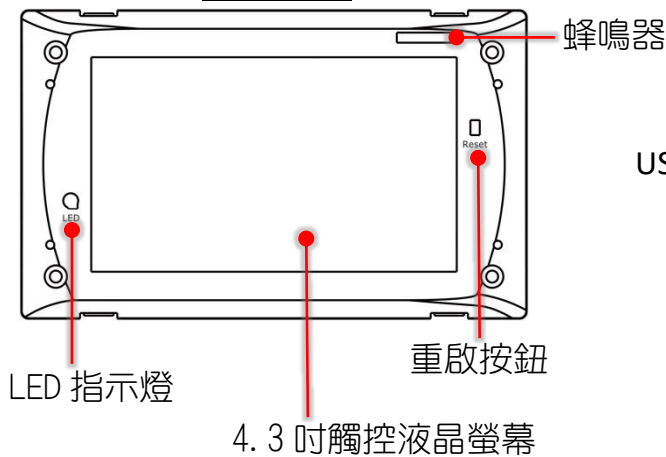


快速入門指南 x1

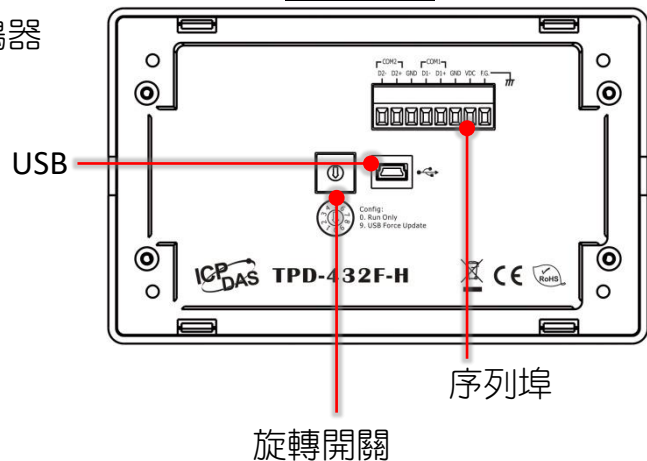


2 外觀

前配置圖

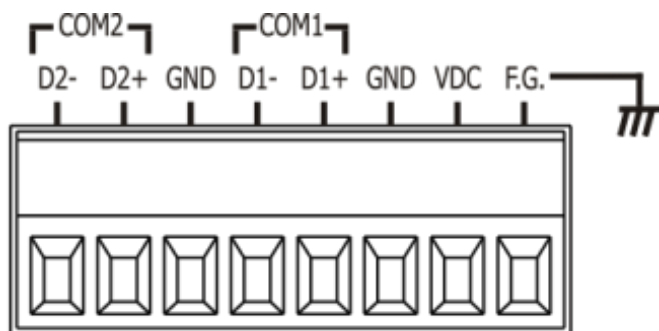


後配置圖



3 腳位定義

在 TouchPAD 的背面可見到如下圖樣：



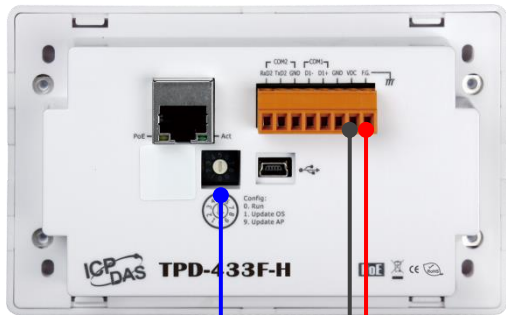
腳位定義：

Pin	說明
F. G.	機架接地，F. G.（連接到內部的 EMI 或 ESD 保護電路），請接到大地。
VDC	直流電壓輸入（範圍：+12 V ~ +48 V）
GND	連到電源的接地端
D1+	RS-485 網路的正訊號線
D1-	RS-485 網路的負訊號線
GND	接地端
D2+	RS-485 網路的正訊號線
D2-	RS-485 網路的負訊號線

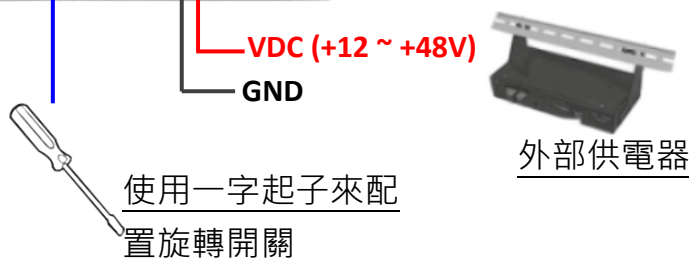
旋轉開關（Rotary Switch）的配置模式定義：

	項次	模式	說明
	0	Run Only	執行程式。
	9	USB Force Update	透過 USB 更新程式。

4 第一次使用 TPD-432F-H



1. 如左圖所示，將電源和接地線連接完成。然後將旋轉開關 (Rotary Switch) 轉到 0 (此時尚未供電)。



2. 開始供電給 TPD-432F-H，等待約數秒的開機時間，接著可以看到 TPD-432F-H 執行出貨預附的程式如圖所示。



3. 試著按一下 TPD-432F-H 螢幕上面的圖示，TPD-432F-H 會切到其他的頁面。

5 建立第一個軟體專案

在建立 TPD-432F-H 的第一個專案之前，請先安裝免費的開發軟體 HMIWorks。然後參考 << TouchPAD_programming_guide.pdf >>這份文件，一步一步地完成。該份文件可以在 web 上找到：http://ftp.icpdas.com/pub/cd/touchpad/document/chinese/programming_guide/

6 硬體安裝

TPD-432F-H 安裝於專用
明盒 EWB-T43F(選購)



TPD-432F-H 安裝於專用
暗盒 OB140F (選購)



7 參考資訊

➤ TPD-432F-H 產品網頁:

http://www.icpdas.com/root/product/solutions/hmi_touch_monitor/touchpad/tpd-43xf-h_tc.html

➤ 相關文件，如使用手冊、API 函數手冊…等:

<ftp://ftp.icpdas.com/pub/cd/touchpad/document/english/>

➤ 免費開發軟體，HMIWorks 版本 2. 10. 24 或以上版本:

<ftp://ftp.icpdas.com/pub/cd/touchpad/setup/>

如有任何問題歡迎聯繫我們，我們將會為您提供完善的諮詢服務:

E-mail: service@icpdas.com, service.icpdas@gmail.com