

TPD-280-H/280U-H

Quick Start Version 1.0

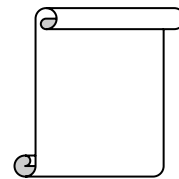
1 Shipping package

Thanks for buying ICPDAS TPD 2.8 inch H series device. This shipping package contains the following items:

TPD-280-H/280U-H

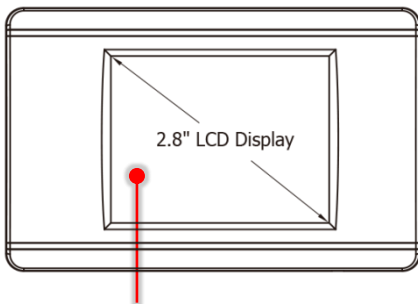


Quick Start (This Document)



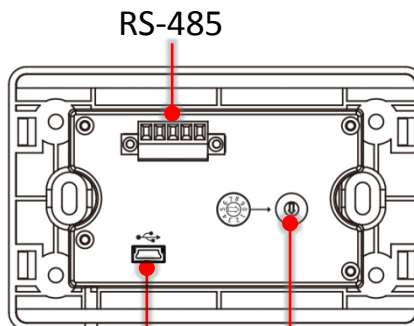
2 Appearance

Front View



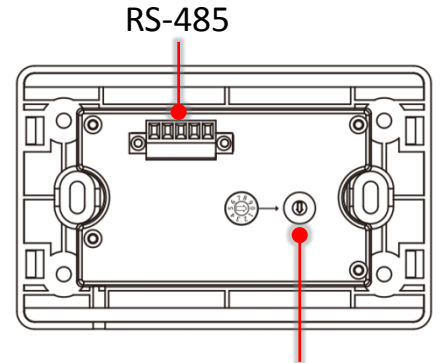
2.8" TFT LCD with Touch Panel

TPD-280U-H Rear View



RS-485
USB Rotary Switch

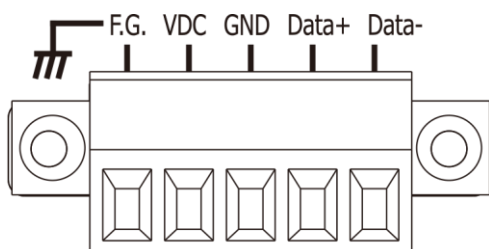
TPD-280-H Rear View



RS-485
Rotary Switch

3 Pin Assignment

On the back of the **TPD-280-H/280U-H**:



The pin assignments:

No	Pin	Description
0	F.G.	Frame Ground. F.G. is connected to the inside EMI or ESD suppression circuits. Make sure that F.G. is connected to the Earth
1	VDC	DC input Voltage (range: +12 V ~ +48 V)
2	GND	Connected to the power supply's ground pin
3	Data+	The positive data line of the RS-485 network
4	Data-	The negative data line of the RS-485 network

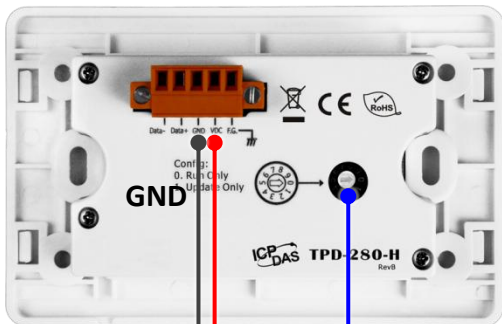
➤ The definition of the rotary switch (**TPD-280-H**):

	No	Mode	Description
	0	Run Only	Run the program.
	1	Update Only	Update the program via RS-485.

➤ The definition of the rotary switch (**TPD-280U-H**):

	No	Mode	Description
	0	Run Only	Run the program.
	9	USB Force Update	Update a new application to the TouchPAD device through USB.

4 First Use of the TPD-280(U)-H



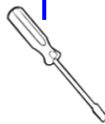
1. Connect wires as the figure. And set the rotary switch to zero (At this point, the power is not yet supplied).

VDC (+12~+48V)

GND



External Power



Use a flat-head screwdriver to set rotary switch

2. Supply power to the TPD-280-H/280U-H, wait for several seconds and then you can see the default program run on it.
3. Try to touch on the icons on the bottom-right corner of the screen of the TPD-280-H/280U-H and you can find that TPD-280-H/280U-H switches to the setting pages.



5 Creating First Project

To create your first project of the TPD-280-H/280U-H, install the free development tool, HMIWorks and then refer to <<TouchPAD_getting_started.pdf>>, which can be found on the FTP: http://ftp.icpdas.com/pub/cd/touchpad/document/english/programming_guide/

6 Hardware Installation

External Wall Box, EWB-T28 (optional)



Outlet Box, OB120 (optional)



7 Related Information

- TPD-280-H/280U-H Product Page:
http://www.icpdas.com/root/product/solutions/hmi_touch_monitor/touchpad/tpd-280-h.html
- Documents, such as the user manuals, the API references, etc.:
<ftp://ftp.icpdas.com/pub/cd/touchpad/document/english/>
- Free Development Software, HMIWorks v2.10.10 or above:
<ftp://ftp.icpdas.com/pub/cd/touchpad/setup/>

If you have any questions, please feel free to contact us via email at:
service@icpdas.com, service.icpdas@gmail.com

TPD-280-H/280U-H

快速入門指南 版本 1.0

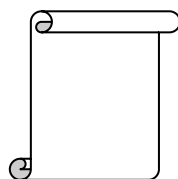
1 檢查配件

感謝您購買泓格的 TPD 2.8 吋 H 系列產品。產品包裝內應包含下列配件：

TPD-280-H/280U-H

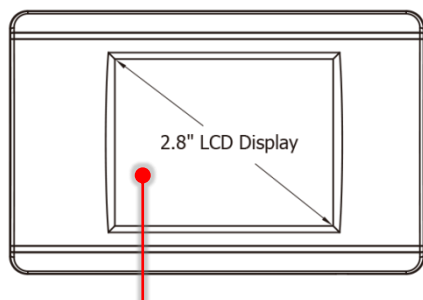


產品須知 (本文件)



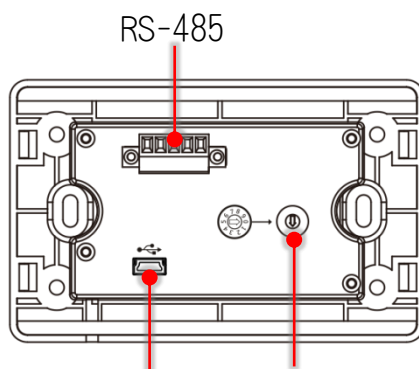
2 外觀

前配置圖



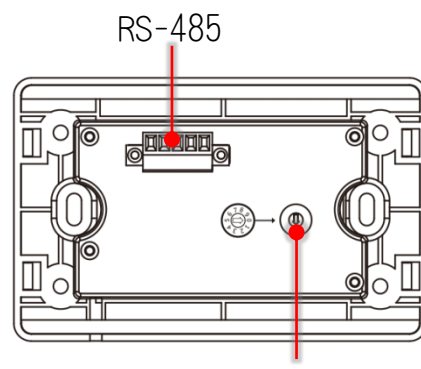
2.8 吋觸控液晶螢幕

TPD-280U-H 後配置圖



RS-485
USB 旋轉開關

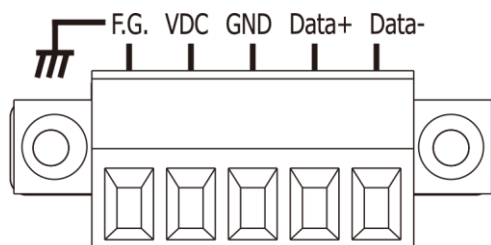
TPD-280-H 後配置圖



RS-485
旋轉開關

3 腳位定義

在 TPD-280-H/280U-H 的背面可見到如下圖樣：



➤ 腳位定義：

No	Pin	說明
0	F. G.	機架接地，F. G.（連接到內部的 EMI 或 ESD 保護電路），請接到大地。
1	VDC	直流電壓輸入（範圍：+12 V ~ +48 V）
2	GND	連到電源的接地端
3	Data+	RS-485 網路的正訊號線
4	Data-	RS-485 網路的負訊號線

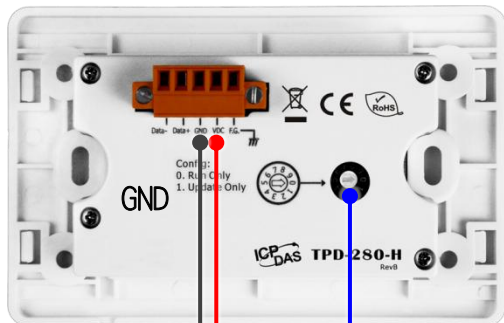
➤ 旋轉開關（Rotary Switch）的配置模式定義（TPD-280-H）：

	項次	模式	說明
	0	Run Only	執行程式。
	1	Force Update	透過 RS-485 更新程式。

➤ 旋轉開關（Rotary Switch）的配置模式定義（TPD-280U-H）：

	項次	模式	說明
	0	Run Only	執行程式。
	9	USB Force Update	透過 USB 更新程式。

4 第一次使用 TPD-280 (U) -H 系列



GND
VDC (+12~+48V)



外部供電器



使用一字起子來配置旋轉開關

1. 如左圖所示，將電源和接地線連接完成。然後將旋轉開關 (Rotary Switch) 轉到 0 (此時尚未供電)。

2. 開始供電給 TPD-280-H/280U-H，等待約數秒的開機時間，接著可以看到 TPD-280-H/280U-H 執行出貨預附的程式如圖所示。
3. 試著按一下 TPD-280-H/280U-H 螢幕上面的圖示，TPD-280-H/280U-H 會切到其他的頁面。



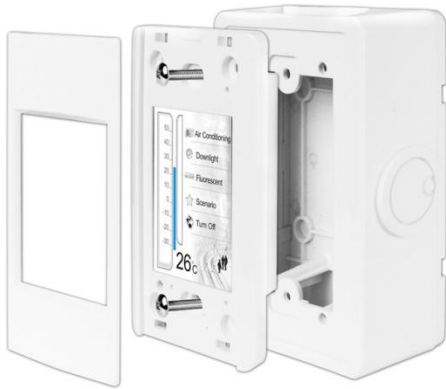
5 建立第一個軟體專案

在建立 TPD-280-H/280U-H 的第一個專案之前，請先安裝免費的開發軟體 HMIWorks。然後參考<< TouchPAD_getting_started.pdf >>這份文件，一步一步地完成。該份文件可以在 FTP 上找到：

http://ftp.icpdas.com/pub/cd/touchpad/document/chinese/programming_guide/

6 硬體安裝

安裝於專用明盒 EWB-T28(選購)



安裝於專用暗盒 OB120 (選購)



7 參考資訊

- TPD-280-H/280U-H 產品網頁:

http://www.icpdas.com/root/product/solutions/hmi_touch_monitor/touchpad/tpd-280-h_tc.html

- 相關文件，如使用手冊、API 函數手冊…等:

<http://ftp.icpdas.com/pub/cd/touchpad/document/chinese/>

- 免費開發軟體，HMIWorks 版本 2.10.10 或以上版本:

<ftp://ftp.icpdas.com/pub/cd/touchpad/setup/>

如有任何問題歡迎聯繫我們，我們將會為您提供完善的諮詢服務:

E-mail: service@icpdas.com, service.icpdas@gmail.com