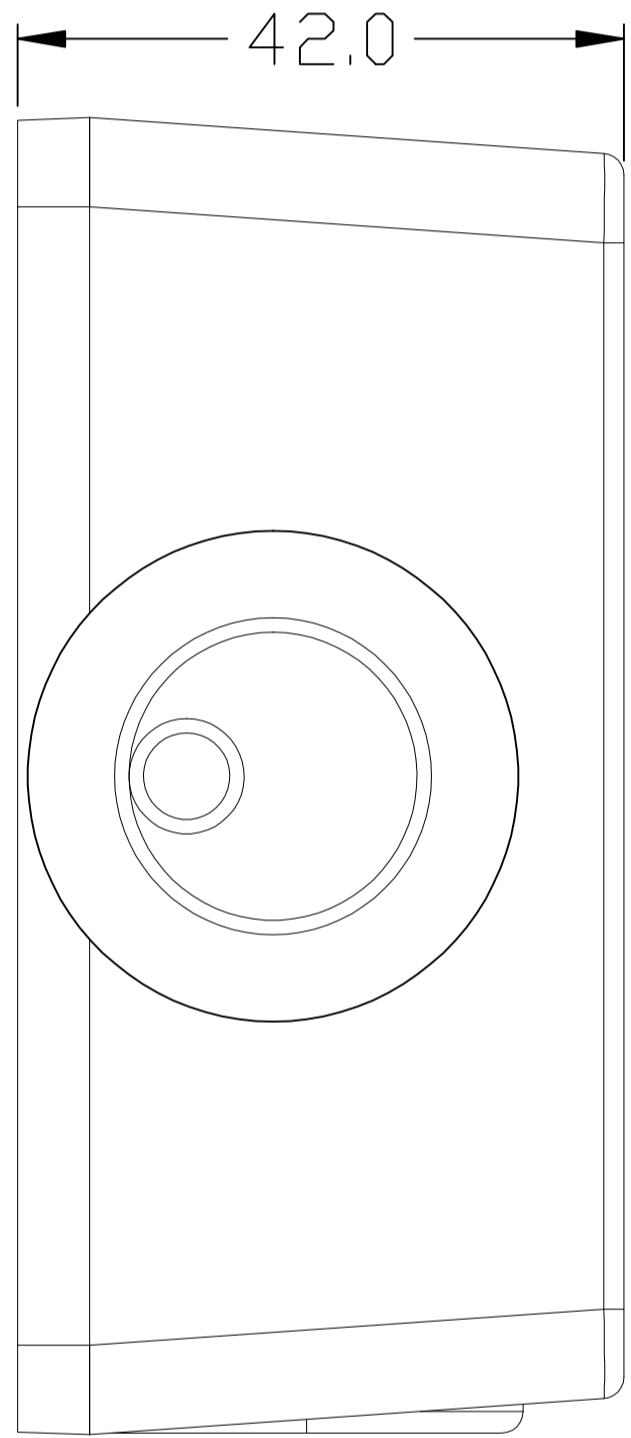
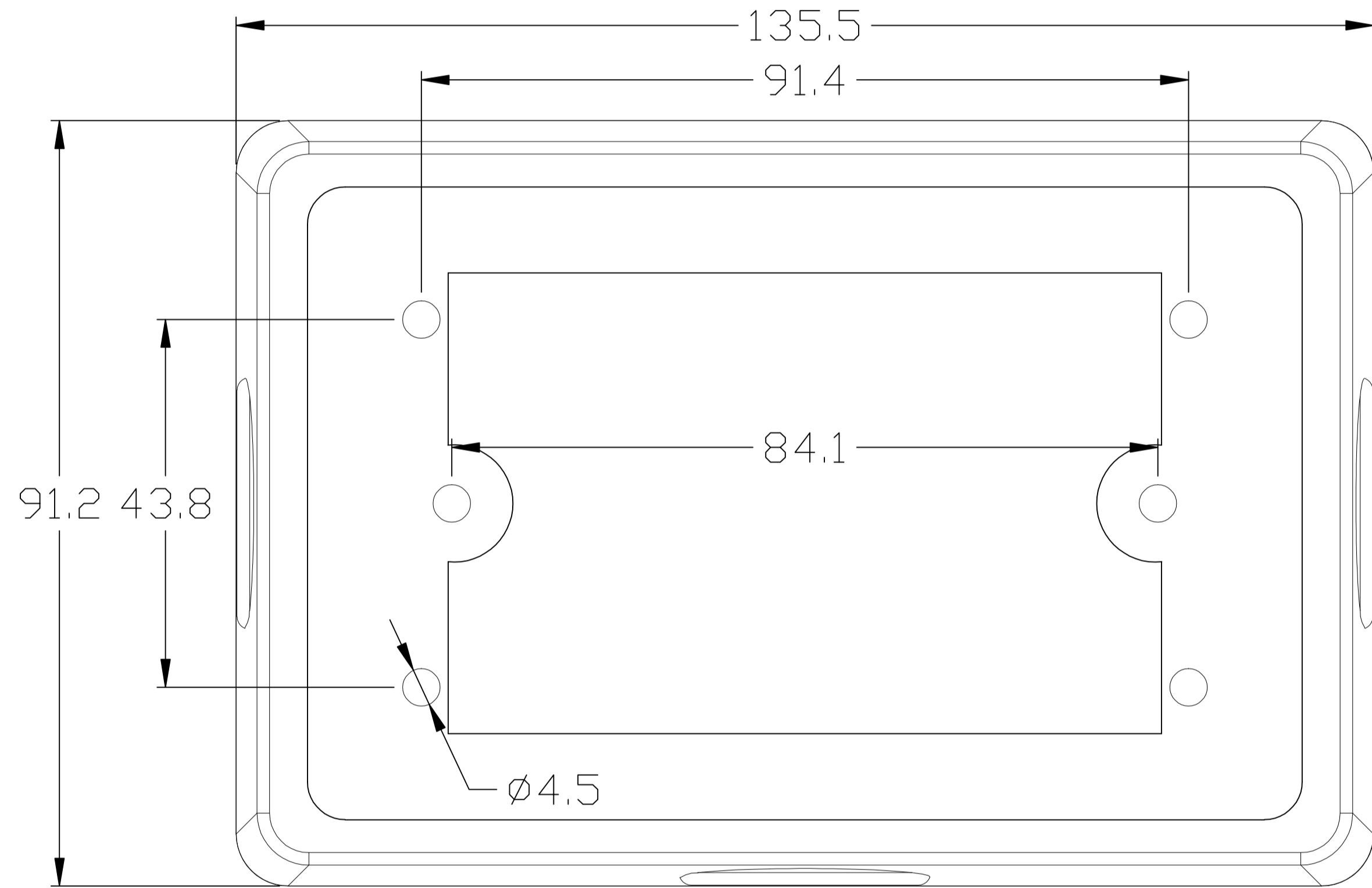




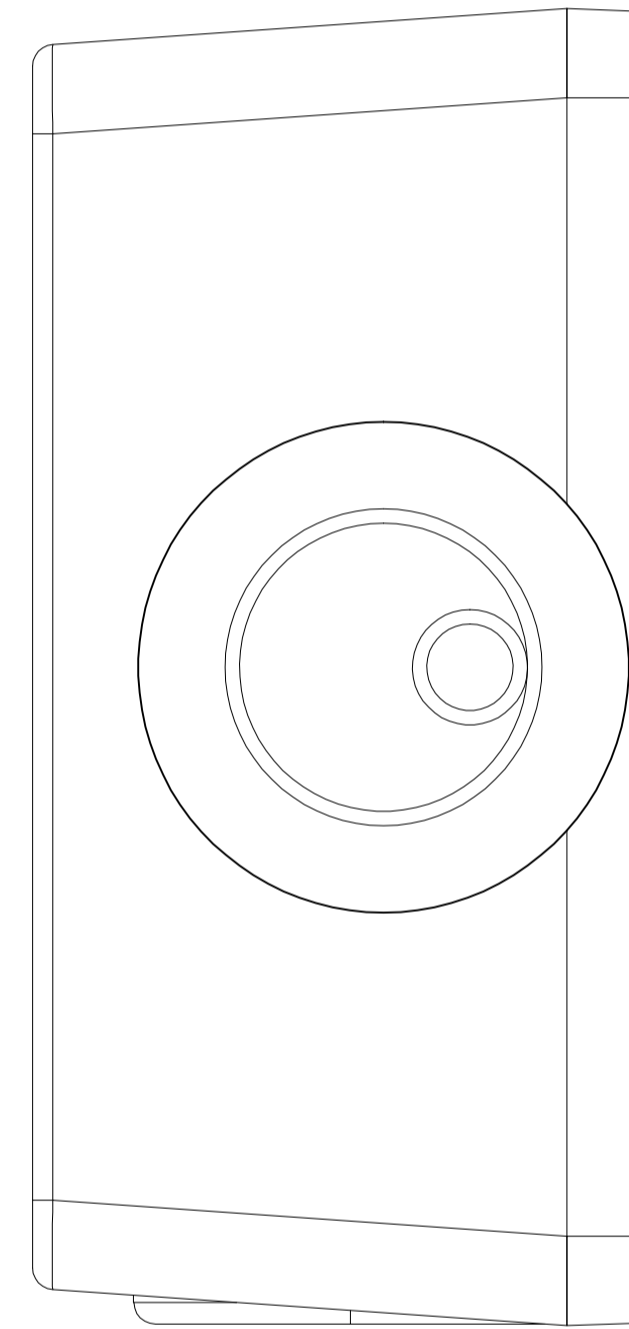
Top View



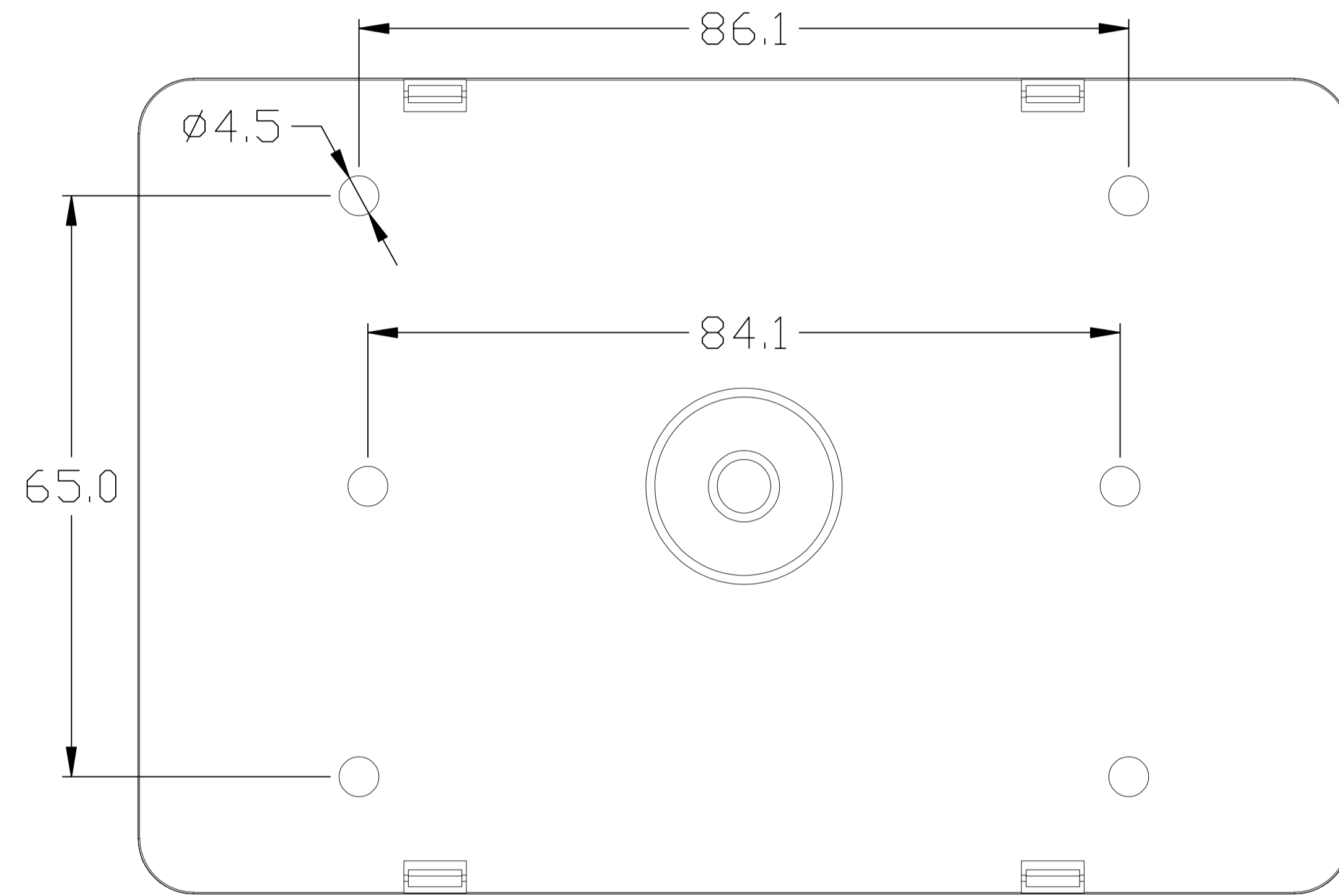
Left Side View



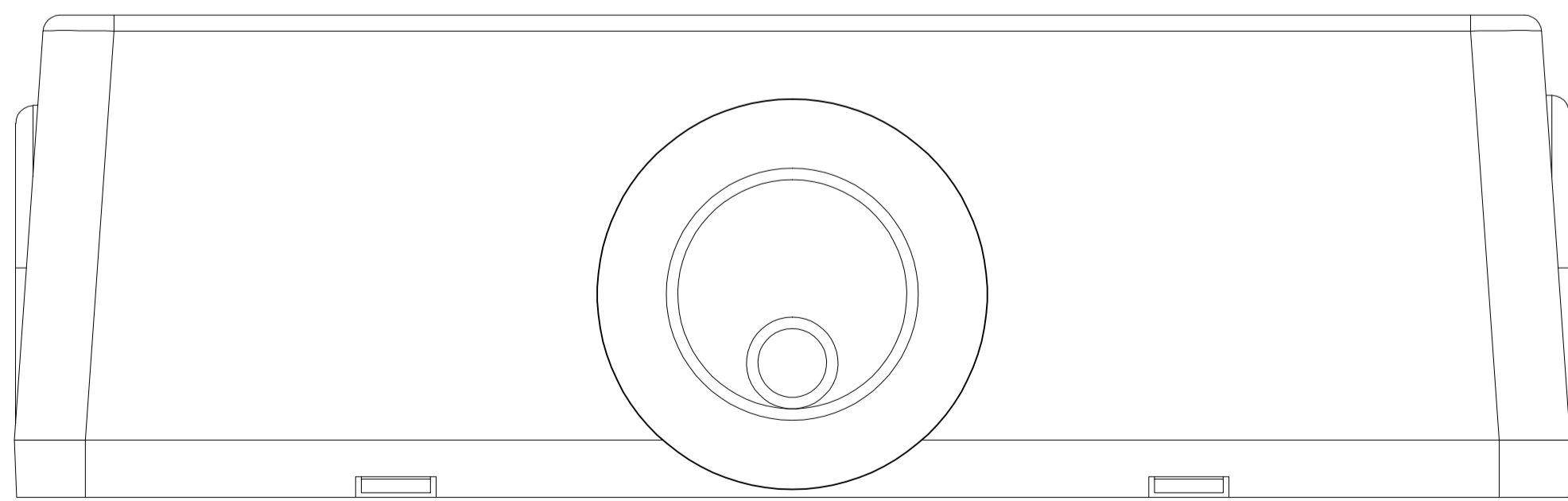
Front View



Right Side View



Rear View



Bottom View

Unit: mm