



### Features

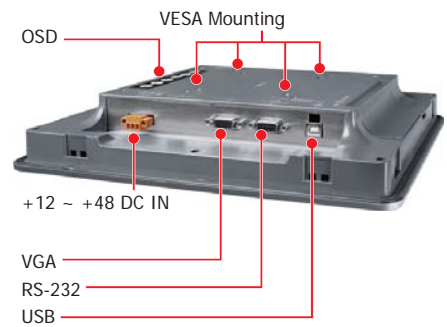
- 15" LCD supports 1024 x 768 resolution
- Resistive Touch Panel
- Full-function OSD control
- Driver Support: Windows 2k/XP/Vista/7/WES WinCE 5.0/6.0/Linux
- LED backlight technology
- IP65 Compliant Front Panel
- Wide operating temperature: -20 ~ +70°C



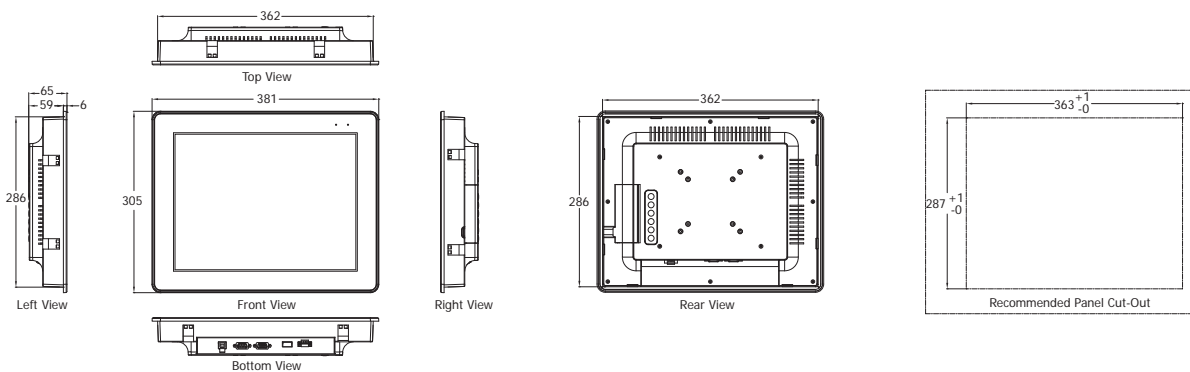
### Specifications

Models	TP-6150
<b>Display</b>	
Size	15"
Resolution	1024 x 768
Max. Color	16.7 M
Luminance	400 cd/m2
Touch screen	5-wire, analog resistive Light; Transmission: 80%
Contrast Ratio	500 : 1
Viewing Angle (H/V)	140/130
Backlight Life (hrs)	50,000
Touchscreen function	Combo RS-232 & USB interface
Input Signal	VGA (Analog RGB)
<b>MMI (Man Machine Interface)</b>	
OSD Control	Functions: Brightness, Contrast, Phase, Horizontal Position, Power, Auto Adjust, Vertical Position and Sharpness
LED Indicators	Power, Display signal is detected
<b>Power</b>	
Input Range	+12 ~ +48 VDC
Power Consumption	14.4 W
<b>Mechanical</b>	
Material	Plastic
Dimensions (W x L x H)	381 mm x 305 mm x 65 mm
Installation	Panel Mounting, VESA (75 mm x 75 mm); 100 mm x 100 mm) Mounting
Ingress Protection	Front panel: IP65
<b>Environmental</b>	
Operating Temperature	-20 ~ +70°C
Storage Temperature	-30 ~ +80°C
Ambient Relative Humidity	10 ~ 90% RH (non-condensing)

### Appearance



### Dimensions (Units: mm)



### Ordering Information

<b>TP-6150</b>	15" (1024 x 768) resistive touch panel monitor with RS-232 or USB interface Accessories: Power supply, VGA cable, RS-232 cable, USB cable, Mounting clamps and screws
<b>TP-6150/NP</b>	TP-6150 without Power supply