

Touch 8070T

7" color TFT LCD Touch-Display (support Modbus TCP/IP)



Touch 8070T

Highlight Information

- 7" , 480x234, 65536 color TFT LCD
- Support Modbus TCP/IP
- Fan-less Cooling System
- Built-in Flash Memory and RTC
- NEMA4/IP65 Compliant Front Panel
- LED Back Light

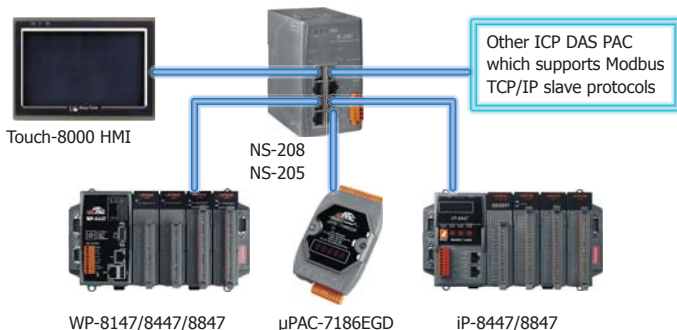
Touch Human Machine Interface Touch 8070T

● Introduction

The Touch-8000 series HMI supports Modbus TCP/IP master protocols via its Ethernet port and Modbus RTU master protocol via its RS-232 and RS-485 ports. Touch-8000 can link to the ICP DAS Modbus PACs and M-7000 I/O Modules easily. For example, it can link to the uPAC-7186EG and iP-8447/8847 and WP-8147/8447/8847 and I-7188XG and M-7018z or other ICP DAS PAC which supports the Modbus TCP/IP slave or Modbus RTU slave protocols.

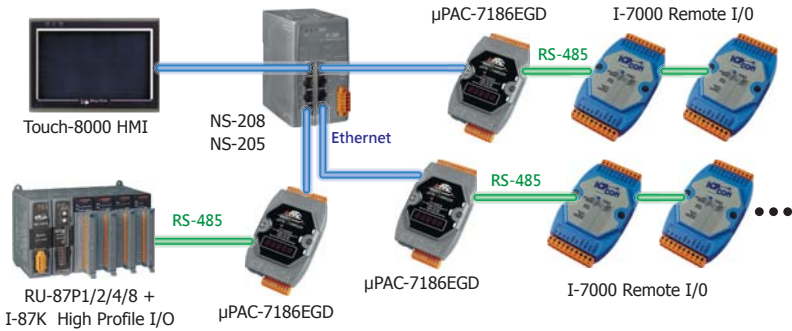
● Applications

- Integrating with ICP DAS ISaGRAF PAC and / or Modbus PAC via Ethernet.

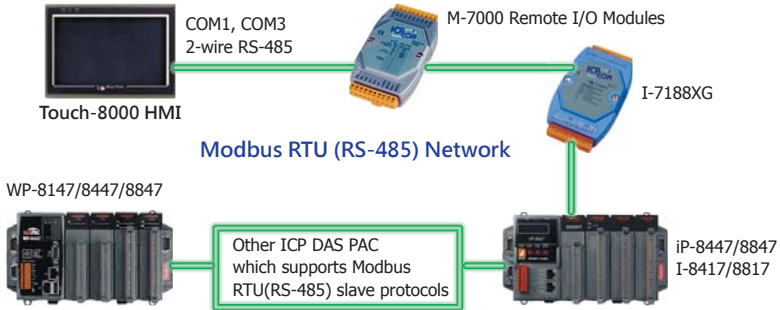


● Applications

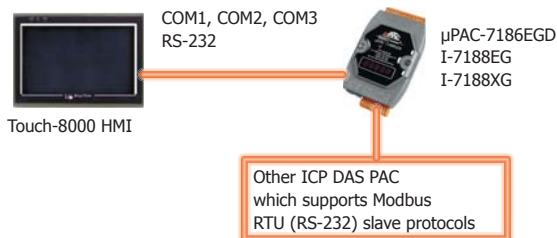
- Integrating with μ PAC-7186EG plus I-7000 (and RU-87Pn + I-87K High Profile) Remote I/O Modules



- Integrating with ICP DAS PAC and / or M-7000 Remote I/O Modules via RS-485



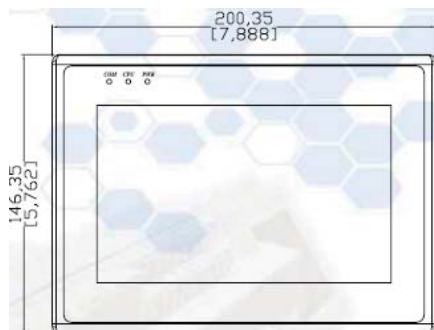
- Integrating with ICP DAS PAC via RS-232



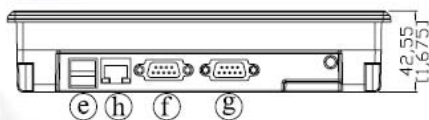
● Specifications

Models	Touch 8070T
General Specifications	
Construction	Plastic molding housing
Display	7" , 480 x 234, 65536 color TFT LCD
CPU and Core Logic	32-bit RISC 200 MHz processor
DRAM	64 MB on-board
Storage	32 MB flash memory on-board
Ethernet	1 Ethernet Port (10/100 Base-T) , supports Modbus TCP/IP protocols
Serial Ports	Support Modbus RTU / ASCII protocols
	● COM1: RS-232 , or RS-485 (2-wire / 4-wire)
	● COM2: RS-232
USB Ports	● COM3: RS-232 , or RS-485 (2-wire)
	2 USB 2.0 full-speed host (12 Mbps)
RTC	Built-in
Power Input	24 V _{DC} , 350 mA @ 24 V _{DC}
Dimension (W x H x D)	200 x 146 x 42.5 mm
Weight	Approx. 0.85 kg
Software	EasyBuilder-8000 Ver.1.3.1 or later
General Environment	
Operating Temperature	-10 ~ 45 °C (14 ~ 113 °F)
Relative Humidity	10 ~ 90 % @ 40 °C, non-condensing
EMI	Complies with FCC class A
CE	Complies with EN50081-2 and EN50082-2 standards
Front panel meets NEMA4 / IP65	
LCD Display	
Display Type	TFT LCD
Display Size (diagonal)	7"
Max. Colors	65536
Resolution	480 x 234
Pixel Pitch (HxV, mm)	0.321 x 0.370
Viewing Angle (°)	40/60/60/60 (T/B/R/L)
Luminance (cd/m ²)	350
Backlight	LED
Backlight Life Time	30,000 hrs. (Can be turned-off while no operation on it)
Contrast Ratio	200:1
Touch Screen	
Type	4-wire, analog resistive
Resolution	Continuous
Light Transmission	Above 80 %
Life	1 million activation minimum

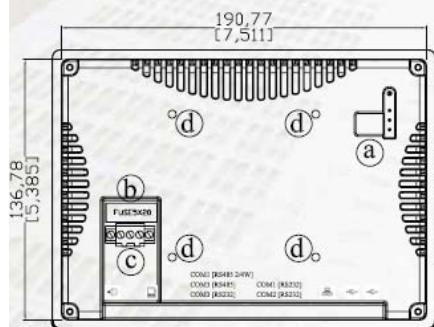
● Dimensions (Unit: mm)



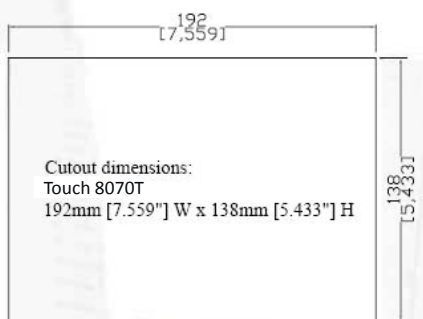
Front View



Bottom View



Rear View



a.	DIP SW & Reset Button
b.	Fuse
c.	Power Connector
d.	VESA 75 mm Screw Holes
e.	USB Host x 2
f.	COM1 (RS-232), COM2 (RS-232)
g.	COM1 (RS-485), COM3 (RS-485), COM3 (RS-232)
h.	Ethernet Port (RJ-45)

● Pin Assignment

RS-485

Recommend connect no more than 7 controllers or M-7000 in each RS-485 connection. The more connected, the slower communication rate.

Touch-8000 COM1: RS-485 ICP DAS controller or M-7000 ICP DAS controller or M-7000

2 Data + _____	Data + _____	Data + _____
1 Data - _____	Data - _____	Data - _____

Touch-8000 COM3: RS-485 ICP DAS controller or M-7000 ICP DAS controller or M-7000

9 Data + _____	Data + _____	Data + _____
6 Data - _____	Data - _____	Data - _____

RS-232

Only one controller can be connected by the RS-232 cable.

Touch-8000 COM1: RS-232 ICP DAS controllers

2 Rx/D _____	TxD _____
3 TxD _____	RxD _____
5 GND _____	GND _____
7 RTS _____	
8 CTS _____	

Touch-8000 COM2: RS-232 ICP DAS controllers

6 Rx/D _____	TxD _____
4 TxD _____	RxD _____
5 GND _____	GND _____
7 RTS _____	
8 CTS _____	

Touch-8000 COM3: RS-232 ICP DAS controllers

8 Rx/D _____	TxD _____
7 TxD _____	RxD _____
5 GND _____	GND _____

● Ordering Information

Touch 8070T	Human Machine Interface with 7" color TFT LCD Touch-Display (support Modbus TCP/IP)
-------------	---

● Accessories

Ethernet Switch	
NS-205 CR	Unmanaged 5-port Industrial Ethernet Switch (RoHS)
NS-208 CR	Unmanaged 8-port Industrial 10/100 Base-T Ethernet Switch (RoHS)
Remote I/O Modules	
M-7000	M-7000 Series Remote I/O Modules (support Modbus RTU and DCON protocols)
I-7000	I-7000 Series Remote I/O Modules (support DCON protocols)
I-87K High Profile I/O	I-87K Series High Profile I/O Modules
InduSoft Runtime License	
RU-87P1/2/4/8 CR	Remote Intelligent I/O Expansion Unit (It used to expand I-87K series I/O modules over the RS-485)
ISaGRAF PAC	
μPAC-7186EG	Advanced Ethernet ISaGRAF Palm-Size PAC (80186, 80 MHz, 10/100 Base-TX)
WP-8x47	Ethernet ISaGRAF PAC (PXA270 CPU, 520 MHz, Dual-LAN: 10/100 Mbps)
iP-8x47	Advanced Ethernet ISaGRAF PAC (80186, 80 MHz, Dual-LAN: 10/100 Mbps)

■ More at www.icpdas.com > Products