



tET-P(D)2POR2/tPET-P(D)2POR2 Quick Start

v1.2, Mar. 2018

What's in the box?

The package includes the following items:



tET/tPET-P(D)2POR2
Series Module x 1



Quick Start x1
(This Document)

Related Information

- tET-P(D)2POR2/tPET-P(D)2POR2 Series Product Page:
http://www.icpdas.com/root/product/solutions/remote_io/ethernet_io/petl-7000_tpet_tet/tet-p2por2.html
- Documentation & Firmware:
<http://ftp.icpdas.com/pub/cd/tinymodules/napdos/tpet/>
- NS-205/NS-205PSE/DP-665 Product Page (optional):
http://www.icpdas.com/root/product/solutions/industrial_ethernet_switch/ns-205.html
http://www.icpdas.com/root/product/solutions/industrial_ethernet_switch/ns-105pse.html
http://www.icpdas.com/root/product/solutions/accessories/power_supply/dp-665.html

1

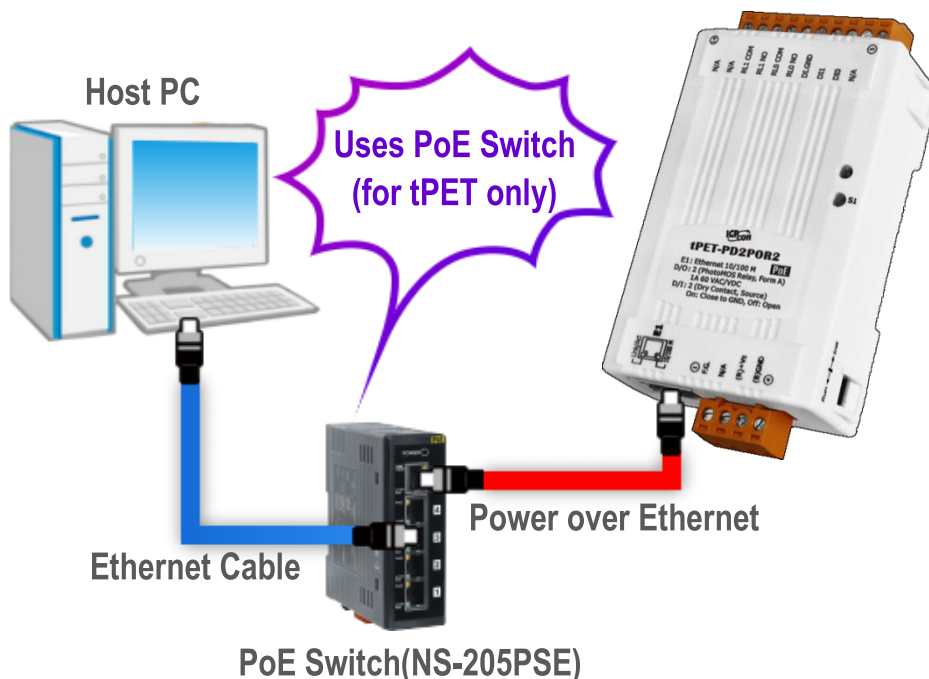
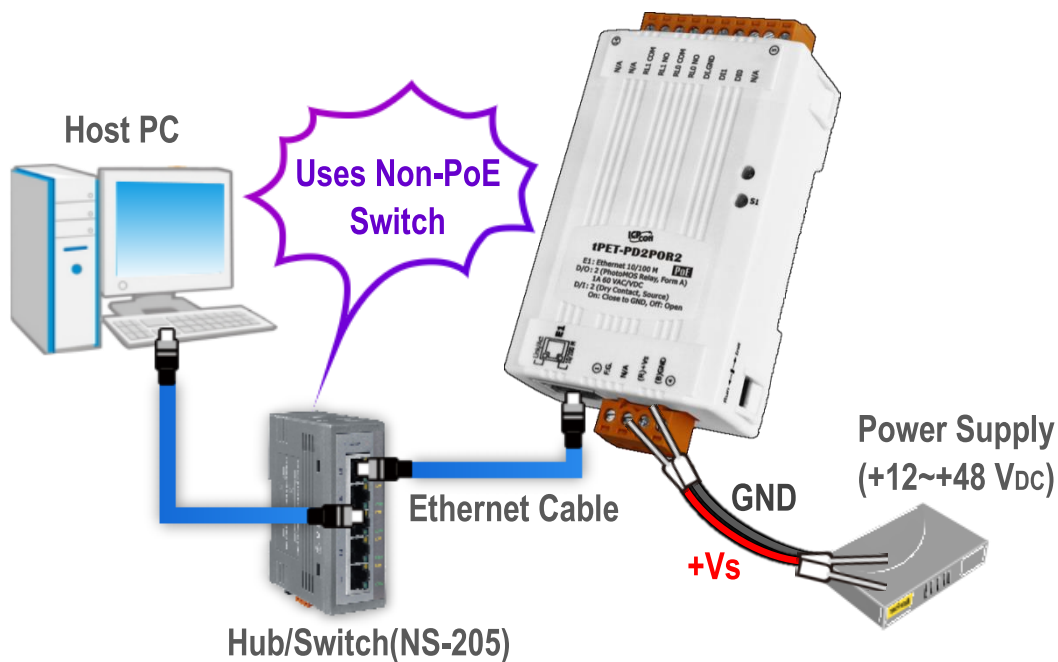
Connecting the Power and Host PC

1) Make sure your PC has workable network settings.

Disable or well configure your Windows firewall and Anti-Virus firewall first, else the “**Search Servers**” on Chapter 5 may not work. (Please contact with your system Administrator)

2) Connect both the tET/tPET-P(D)2POR2 and your PC to the same sub network or the same Ethernet switch.


3) Supply power (**PoE or +12~+48 Vdc**) to the tET/tPET- P(D)2POR2.

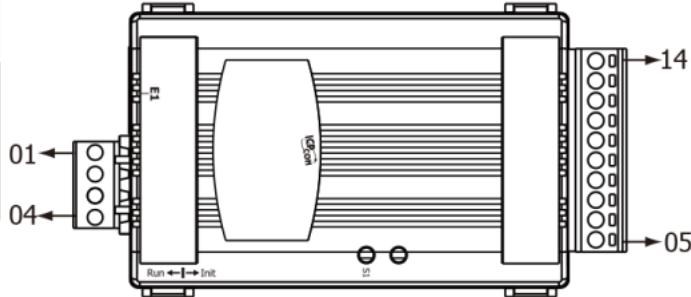


2

Pin Assignments & Wiring Note


➤ Pin Assignments of the tET/tPET-P2POR2:

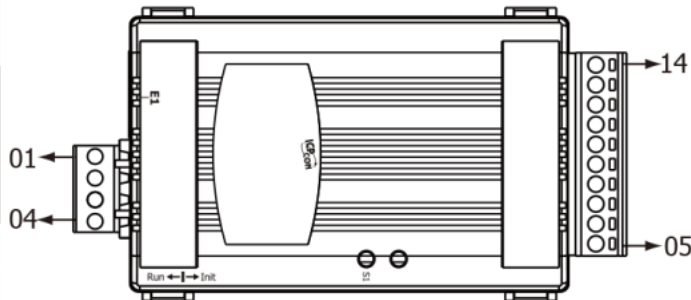
Terminal No.	Pin Assignment
E1	
01	F.G.
02	N/A
03	(R)+Vs
04	(B)GND



Terminal No.	Pin Assignment
14	N/A
13	N/A
12	RL1 COM
11	RL1 NO
10	RL0 COM
09	RL0 NO
08	N/A
07	DI1
06	DI0
05	DI.COM

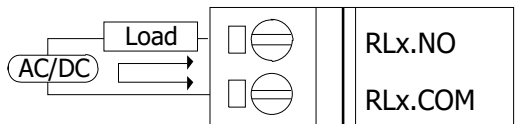
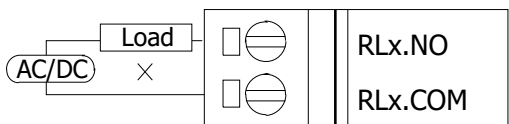
➤ Pin Assignments of the tET/tPET-PD2POR2:

Terminal No.	Pin Assignment
E1	
01	F.G.
02	N/A
03	(R)+Vs
04	(B)GND



Terminal No.	Pin Assignment
14	N/A
13	N/A
12	RL1 COM
11	RL1 NO
10	RL0 COM
09	RL0 NO
08	DI.GND
07	DI1
06	DI0
05	N/A

➤ Digital Output Wiring of the tET/tPET-P(D)2POR2:

Output Type	Readback as 1	Readback as 0
	Relay ON	Relay OFF
Form A Relay Contact		

➤ Digital Input Wiring of the **tET/tPET-P2POR2**:

Digital Input	Readback as 1	Readback as 0
Sink	+10 ~ +50 VDC 	OPEN or <4 VDC
	+10 ~ +50 VDC 	OPEN or <4 VDC

➤ Digital Input Wiring of the **tET/tPET-PD2POR2**:

Input Type	Readback as 0	Readback as 1
Dry Contact	Relay OFF 	Relay ON

3 Modbus Address

(1xxxx) DI address:

Begin address	Points	Description	Bits Per Point	Range	Access Type
0(0x0)	1~2	Digital Input	1	0:OFF, 1:ON	R
32(0x20)	1~2	Digital latched status (high)	1	0:NO, 1:Latched	R
64(0x40)	1~2	Digital latched status (low)	1	0:NO, 1:Latched	R

! Note

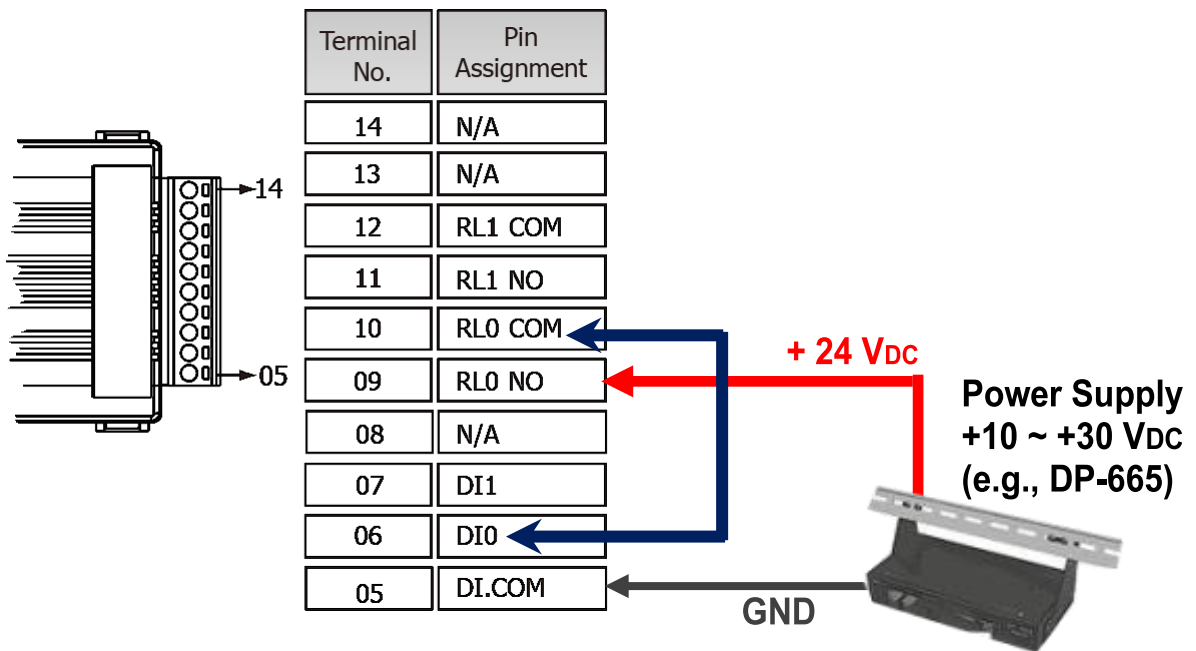
For detail “DI/DO Modbus Address” information, refer to Section 6.3 Modbus Register Table of user’s manual (<http://ftp.icpdas.com/pub/cd/tinymodules/napdos/tpet/document/>).

4

Wire the DI and DO for Self-test

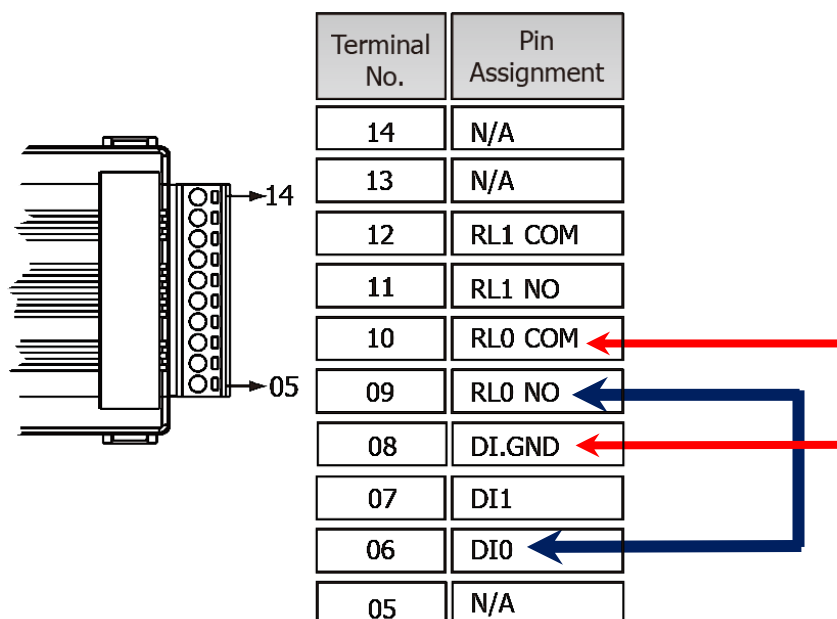
➤ tET/tPET-P2POR2:

- 1) Connect the RL0 COM pin (Pin10) and DI0 pin (Pin06).
- 2) Supply the External Power +24V to RL0 NO pin (Pin09).
- 3) Supply the External Power GND to DI.COM pin (Pin05).



➤ tET/tPET-PD2POR2:

- 1) Connect the DI0 pin (Pin06) and RL0 NO pin (Pin09).
- 2) Connect the DI.GND pin (Pin08) and RL0 COM pin (Pin10).



5

Configuring Network Settings

- 1) Run the eSearch Utility.

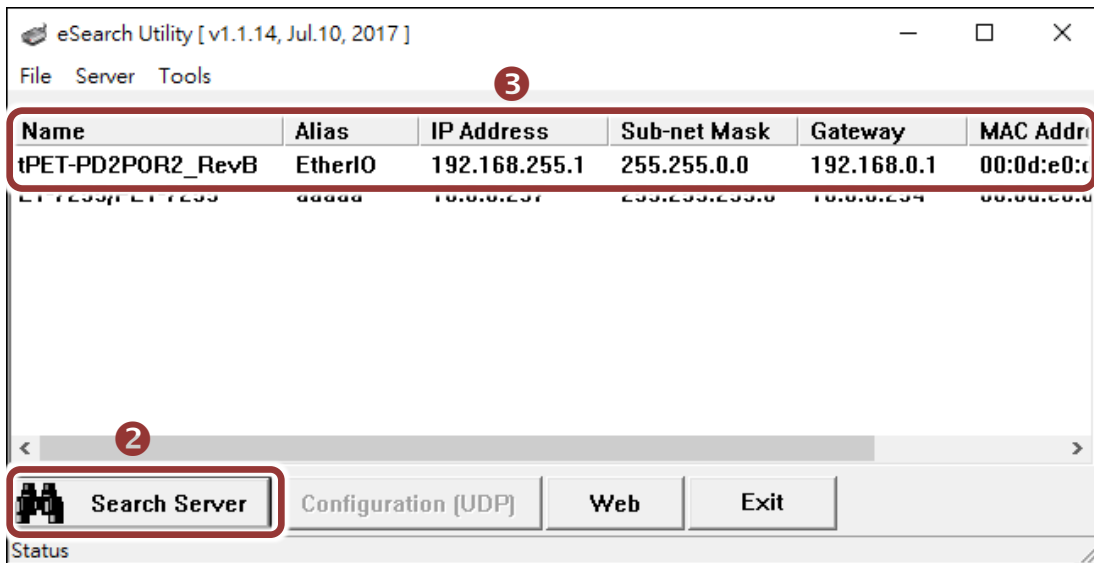
The eSearch Utility is located at:

<http://ftp.icpdas.com/pub/cd/tinymodules/napdos/software/esearch/>



- 2) Click the “**Search Servers**” to search your tET/tPET- P(D)2POR2.

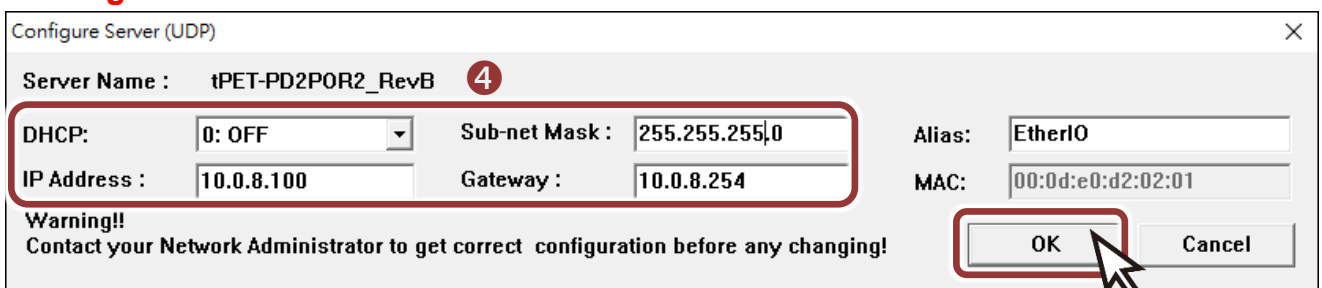
- 3) Double-click your tET/tPET- P(D)2POR2 to configure the settings



Factory Default Settings of tET/tPET-P(D)2POR2:

IP Address	192.168.255.1
Subnet Mask	255.255.0.0
Gateway	192.168.0.1

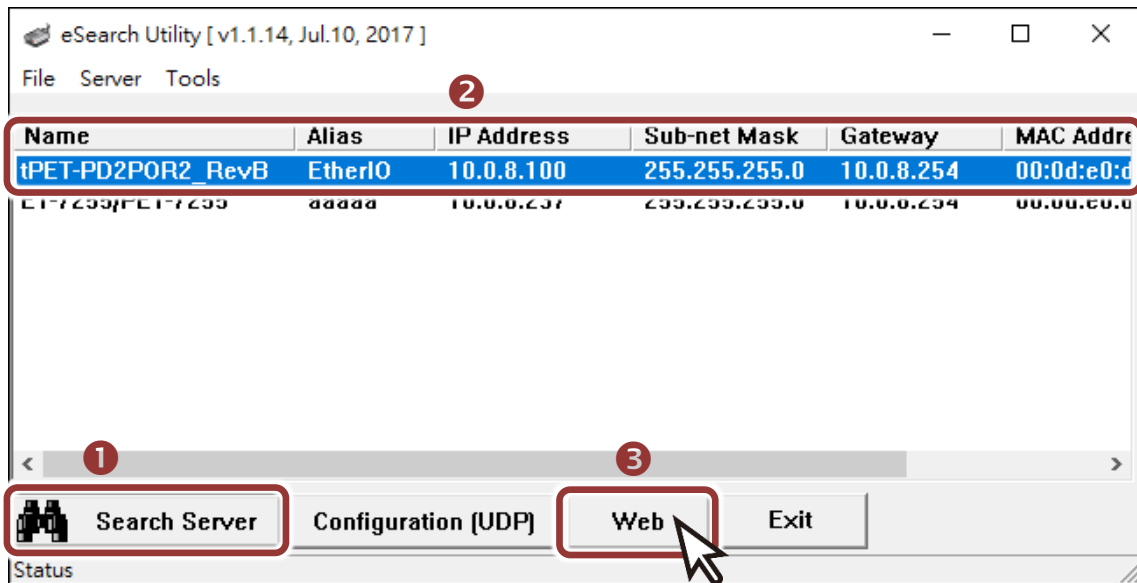
- 4) Contact your Network Administrator to obtain a correct network configuration (such as **IP/Mask/Gateway**). Enter the network settings and click “**OK**”. **⚠ Note: The tET/tPET-P(D)2POR2 will use the new settings 2 seconds later.**



6

Testing your tET/tPET Module

- 1) Wait 2 seconds and click “**Search Servers**” button again to ensure the tET/tPET- P(D)2POR2 is working well with new configuration.
- 2) Click the name of tET/tPET- P(D)2POR2 to select it.
- 3) Click the “**Web**” button to log in to the web configuration pages.
(Or enter the URL address of the tET/tPET- P(D)2POR2 in the address bar of the browser.)



Note that if you intend to use Internet Explorer, ensure that the cache function is disabled in order to prevent browser access errors, please disable your Internet Explorer cache as follow: **(If you are not using IE browser, please skip this step.)**

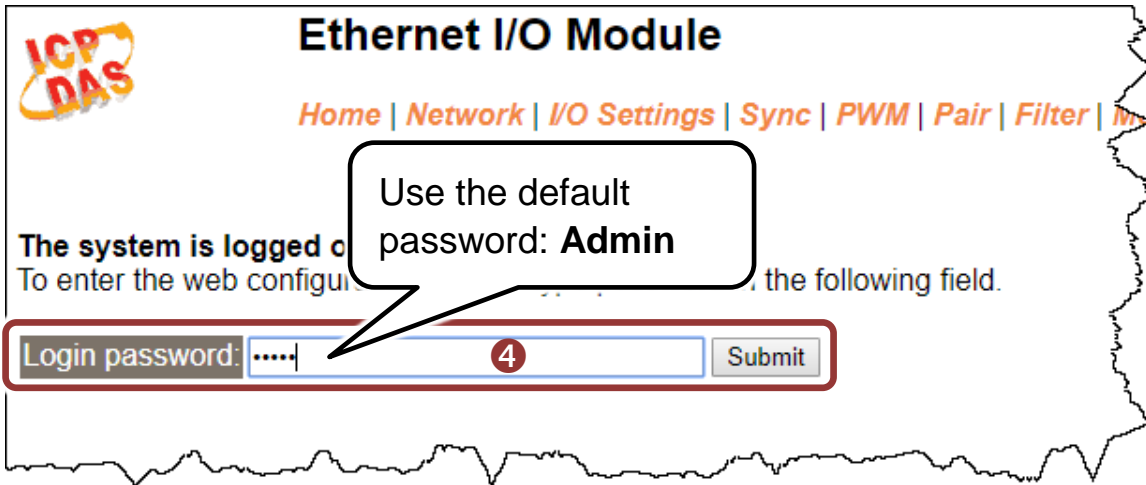
Step1: Click “**Tools**” >> “**Internet Options...**” in the menu items.

Step 2: Click “**General**” tab and click the “**Settings...**” button in Temporary Internet files frame.

Step3: Click “**Every visit to the page**” and click the “**OK**” in Settings box and Internet Options box.

For more detail, refer to [“FAQ: How to avoid a browser access error that causes a blank page to be displayed when using Internet Explorer”](#)

4) Enter the password in the “login password” field and click “Submit”.



5) In the “Home” page allows a simple test to be performed to verify the Digital Input and Output functionality.

6) In the “Digital I/O” section, click the “DO0” button to ON (Red).

7) The corresponding DI becomes green for DI0 is ON.

Model Name:	tPET-PD2POR2_RevB	Alias Name:	EtherIO
Firmware Version:	B1.4.4 [Jul.04 2016]	MAC Address:	00-0d-e0-d2-02-01
IP Address:	10.0.8.100	Initial Switch:	OFF
TCP Port Timeout: (Socket Watchdog, Seconds):	180	System Timeout: (Network Watchdog, Seconds)	0

Digital I/O (Modbus Address: DO=00000 to 00015, DI=10000 to 10015)

DO7	DO6	DO5	DO4	DO3	DO2	DO1	DO0
DI Channel	Value (10000)	Counter (30016) / Frequency (30064)	High Latched (10032)	Low Latched (10064)			
DI0:		-	-	-			
DI1:		-	-	-			
DI2:		-	-	-			
DI3:		-	-	-			
DI4:		-	-	-			
DI5:		-	-	-			
DI6:		-	-	-			