

PM-3133i Quick Start

1. Shipping Package

This shipping package contains the following items

1 x PM-3133i module



1 x Quick Start



Screw Driver x 1



Cable ties x 3



1.1. Caution & Warning



The meter contains hazardous voltages, and should never be disassembled. Failing to follow this practice will result in serious injury or death. Any work on or near energized meters, meter sockets, or other metering equipment could induce a danger of electrical shock. It is strongly recommended that all work should be performed only by qualified industrial electricians and metering specialist. ICP DAS assumes no responsibility if your electrical installer does not follow the appropriate national and local electrical codes. ICP DAS assumes no liability for any damage resulting from the use of this product. ICP DAS reserves the right to change this manual at any time without notice. The information furnished by ICP DAS is believed to be accurate and reliable. However, no responsibility is assumed by ICP DAS for its use, not for any infringements of patents or other rights of third parties resulting from its use.

1.2. Product Warranty & Customer Support

ICP DAS warrants all products free from defects in material and workmanship for a period of one year from the date of shipping. During the warranty period, we will, at our position, either repair or replace any product that proves to be defective. To report any defect, please contact : **+886-3- 597-3366** or service@icpdas.com.

Documentation & Utility:

<http://ftp.icpdas.com/pub/cd/powermeter/pm-3133i/>

1.2.1. Limitation of Warranty

This warranty does not apply to defects resulting from unauthorized modification, misuse, or use for reason other than electrical power monitoring. The supplied meter is not a user-serviceable product.

2. Installation

2.1.

- Products come with external split type clip-on CT's. Disconnect the CT's or use other CT's is highly prohibited.
- Please read this operation manual carefully before using.
- Please re-confirm the measure position.
- Reconfirm the RST (ABC) phase sequence of the power system.
- Meter auxiliary power for PM-3133i series is DC +12V ~+48V.

2.2. Voltage Input

1. PM-3133i series: Input Voltage up to 600V.

For any higher Input Voltage large than 600V, please add the PT (power transformer), and Change PT RATIO setup.

2. Confirm the RST (ABC) phase sequence.

2.3. Current Input



1. The external CT's are fragile, please handle with care.
2. The CT input of PM-3133i-xxxP series is in mV range.

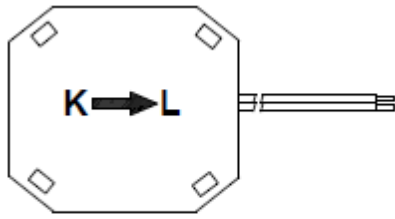
Only the ex-factory attached CT's can be used. The other CT's, for example, from panel will damage the instrument due to its large current (around 5A or mA).

3. When more than one smart meter (PM-3133i series) are installed, please do not disconnect the CT with its original meter and mix use with each other. Since each set of smart meter (PM-3133i series) and its attached split type clip-on CT are calibrated set by set. The mix use may cause wrong measurements.

4. To install CT's correctly, please ensure the CT lines sequences is right before clip the CT's onto the power cable of the monitoring equipment. (Detail will be found in next section)

5. **When measuring the current, the secondary circuit of a CT should never be opened when a load is passing through its primary. Make sure you always open the CT clip to detach the CT before removing the terminal lines. Otherwise, it will cause severe injury.**
6. Please handle with extra care, especially when the operation space of CT's is limited.
7. The current direction must follow K-L marked on CT's.
8. Please select the right size CT's for different size of monitoring equipment cables:
power cable diameter $\lt; \Phi 10$ use 60A CT , $\Phi 10 \sim \Phi 16$ use 100A CT , $\Phi 16 \sim \Phi 24$ use 200A CT
, $\Phi 24 \sim \Phi 36$ use 300A or 400A CT .
9. The maximum current value cannot exceed the CT rating.

2.4. CT's installation steps



Bottom view

- At the bottom of the CT, there is a “K→L” mark.



- Open the CT clip.



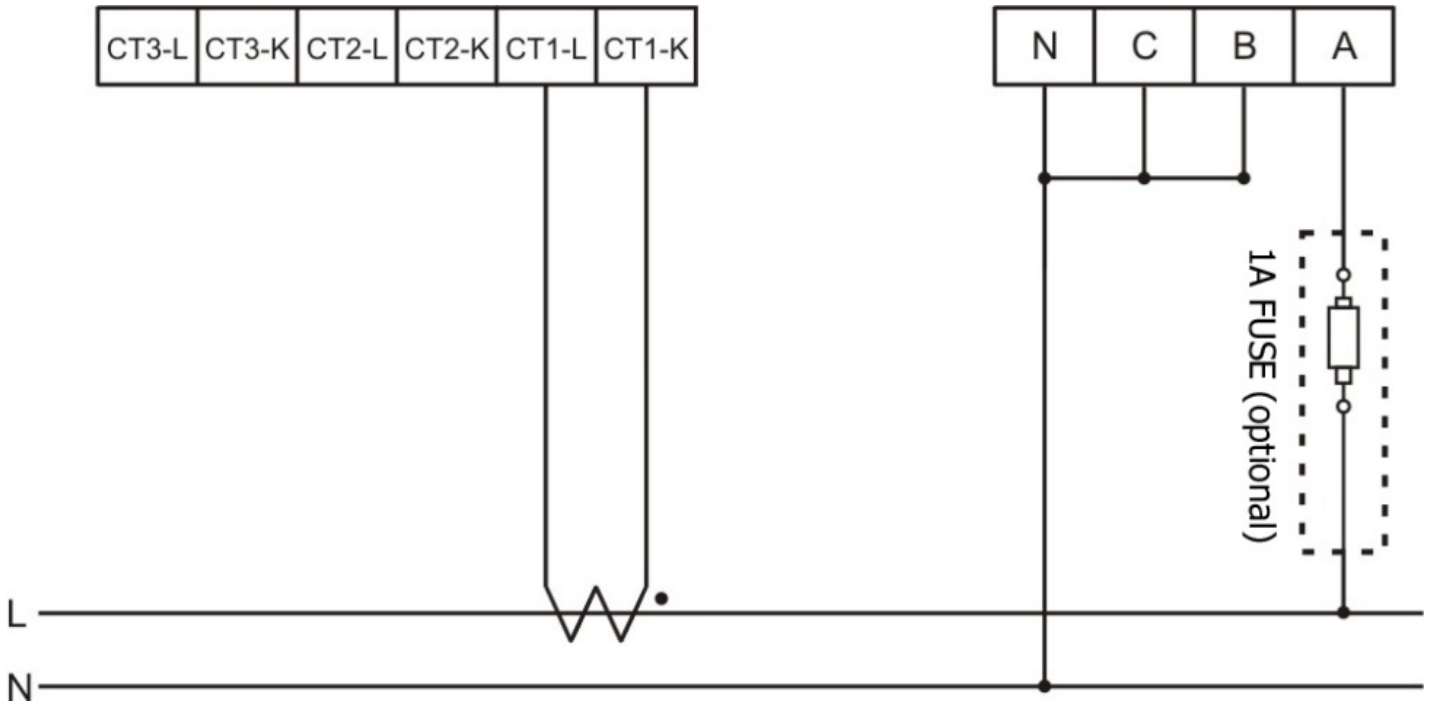
- Make sure the power current direction follow the “K→L” mark on the CT and then close the CT clip.



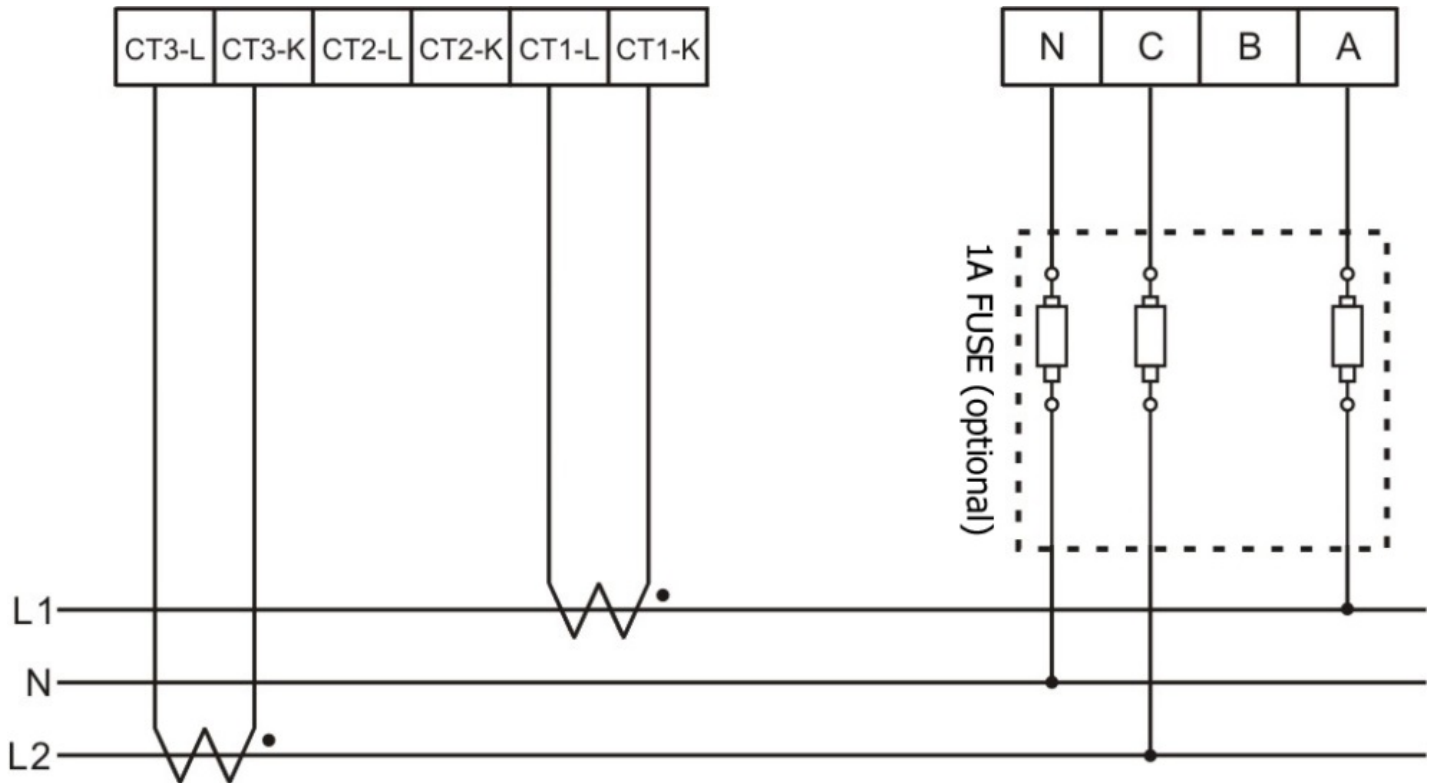
- Installation steps finished.

2.5. Wiring

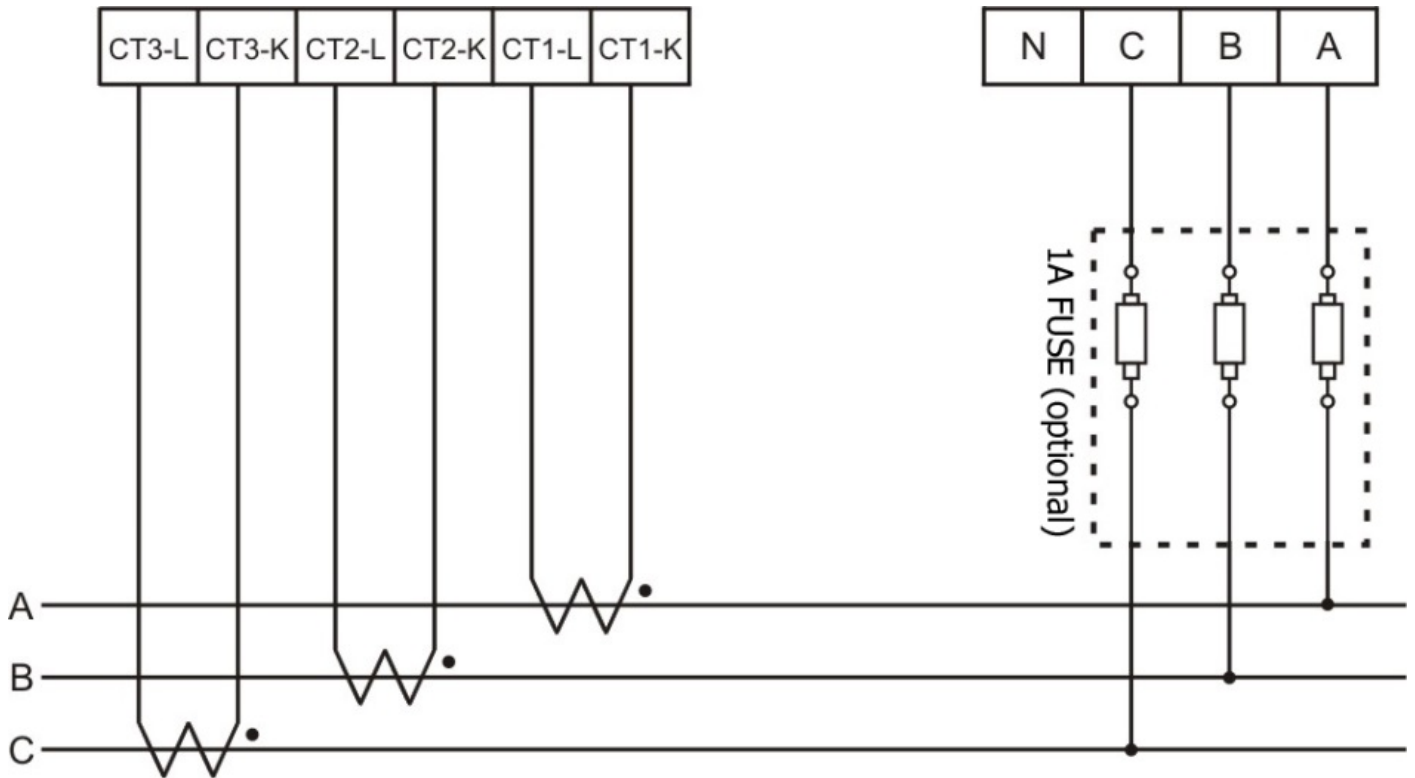
- 1P2W-1CT(PM-3133i)



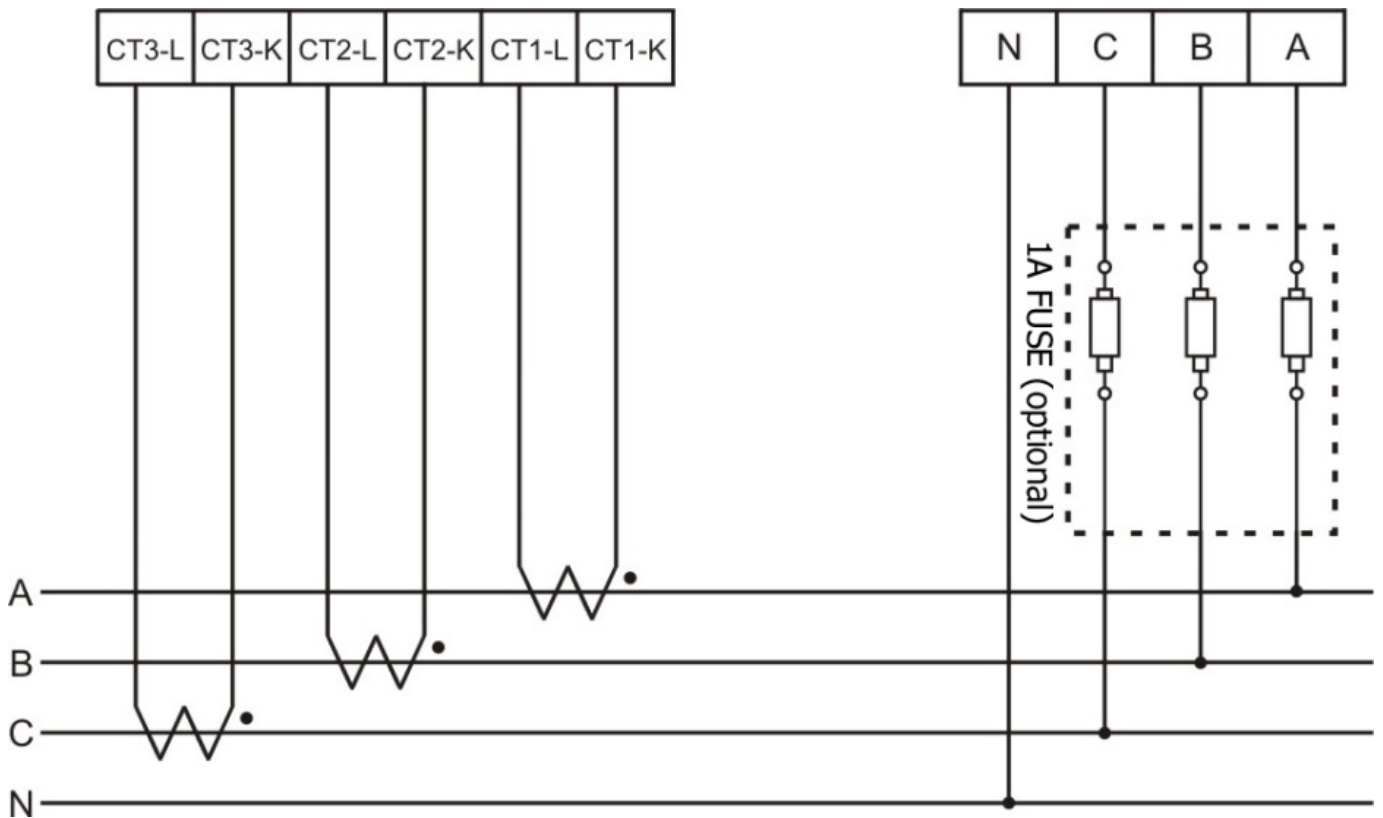
- 1P3W-2CT(PM-3133i)



- 3P3W-3CT(PM-3133i)



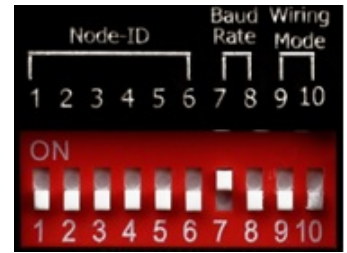
- 3P4W-3CT(PM-3133i)



3. Communication

3.1. RS-485 & CAN setting

- Default setting for RS-485: **19200, n, 8, 1**, for CAN: **125K bps**
- DIP switch (SW1-SW6) is used for Modbus address(or CANopen Node ID) setting, default is 1, i.e. all OFF
For example: Modbus address(or CANopen Node ID) is 10 , find the table of DIP switch 1-6 is **ON, OFF, OFF, ON, OFF, OFF**
- SW1 – SW6 setting

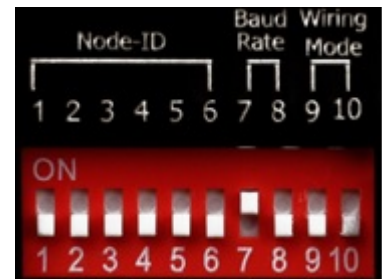


Setting Modbus-RTU address for communication (1-64)

Modbus Address	SW 1	SW 2	SW 3	SW 4	SW 5	SW 6
1	OFF	OFF	OFF	OFF	OFF	OFF
2	ON	OFF	OFF	OFF	OFF	OFF
3	OFF	ON	OFF	OFF	OFF	OFF
4	ON	ON	OFF	OFF	OFF	OFF
5	OFF	OFF	ON	OFF	OFF	OFF
6	ON	OFF	ON	OFF	OFF	OFF
7	OFF	ON	ON	OFF	OFF	OFF
8	ON	ON	ON	OFF	OFF	OFF
9	OFF	OFF	OFF	ON	OFF	OFF
10	ON	OFF	OFF	ON	OFF	OFF

- SW7 – SW8 For Baud Rate Setting

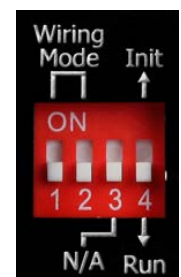
RS-485	CAN	SW 7	SW8
9600 bps	125k(Default)	OFF	OFF
19200 (Default)	250k bps	ON	OFF
38400 bps	500k bps	OFF	ON
115200 bps	1M bps	ON	ON



PM-3133i : Select the different wiring mode

(Please select the Software setting, if 1P2W-1CT or 1P3W-2CT is used)

Models	PM-3133i		PM-3133i-MTCP	
	SW 9	SW 10	SW 1	SW 2
Wiring				
Software setting	OFF	OFF	OFF	OFF
3P3W-2CT	ON	OFF	ON	OFF
3P3W-3CT	OFF	ON	OFF	ON
3P4W-3CT	ON	ON	ON	ON



3.2. Add the Bias Resistor on RS-485 Network for stable signal

The RS-485 master is required to provide the bias for PM-31xx series.

Otherwise, the tM-SG4 or SG-785 should be added to provide the bias. All

ICP DAS controllers and converters provide the bias.