

# VP-23W1 Quick Start Guide

Version 1.0.3, February 2012

## Congratulations!

Congratulations on purchasing View PAC – the most popular automation panel solution for remote monitoring and control application, to give you all the best features of HMIs and PLCs. This Quick Start Guide will provide information needed to get started with View PAC. Please also consult the User Manual for detailed information on the setup and use of View PAC.

## Technical Support

### ➤ VP-23W1 User Manual

CD:\NAPDOS\vp-2000\_ce50\Document\

[http://ftp.icpdas.com/pub/cd/winpac/napdos/vp-2000\\_ce50/document/](http://ftp.icpdas.com/pub/cd/winpac/napdos/vp-2000_ce50/document/)

### ➤ VP-23W1 Demo Reference

CD:\NAPDOS\vp-2000\_ce50\Demo\

[http://ftp.icpdas.com/pub/cd/winpac/napdos/vp-2000\\_ce50/demo/](http://ftp.icpdas.com/pub/cd/winpac/napdos/vp-2000_ce50/demo/)

### ➤ View PAC Website

<http://www.icpdas.com/products/PAC/viewpac/introduction.htm>

### ➤ ICP DAS Website

<http://www.icpdas.com/>

# What's in the box?

In addition to this guide, the package includes the following items:



**VP-23W1 & Touch Pen**



**Expansion I/O Sockets \* 3**



**Software Utility CD**



**A microSD Card &  
A microSD to SD Adapter**



**Screw Driver**



**RJ-45 Waterproofing Kit**



**Panel Clip \* 4**

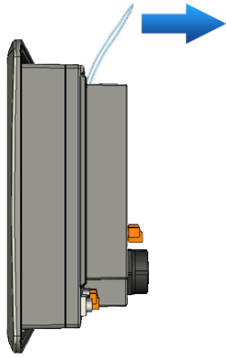


**M4x35 Screw \* 4**

## 1 Remove the Slot Cover

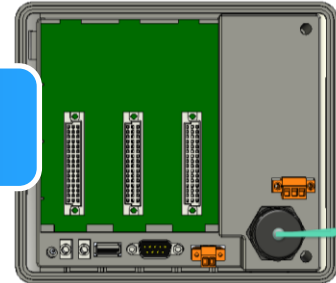
The View PAC has a slot cover to protect the internal components from damage during shipping. Before starting any installation, please first remove the slot cover.





- 1) Hold the top of View PAC.
- 2) Pull the plastic wrap.

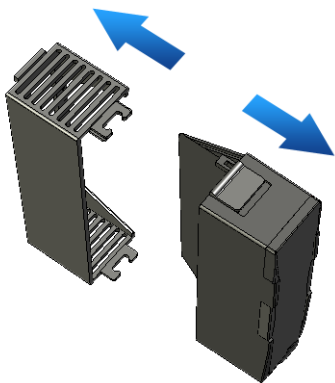
The slot cover has been removed



## 2 Installing Expansion I/O Sockets

The case (a socket and a top case) is included in the package.

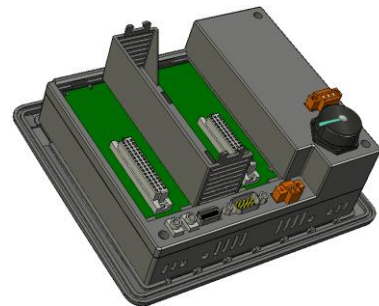
- 1) Take the socket out from the case.



- 2) Padlock the bottom of the socket into the View PAC.



- 3) Slide the socket into the View PAC until it clicks.



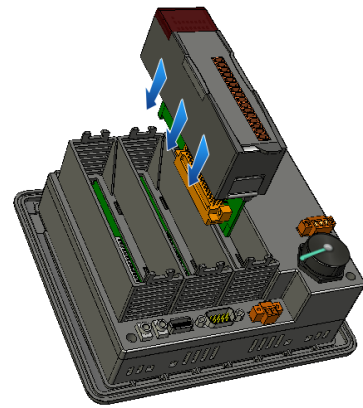
The Expansion I/O socket has been installed

### 3 Inserting the I/O Module

View PAC supports various types of I/O expansion modules for interfacing many different field devices.

For more information about I/O expansion modules, please refer to:

[http://www.icpdas.com/products/PAC/winpac/io\\_support\\_list.htm](http://www.icpdas.com/products/PAC/winpac/io_support_list.htm)



- 1) Hold the I/O module vertically and align the socket.
- 2) Carefully press the I/O module onto the socket.

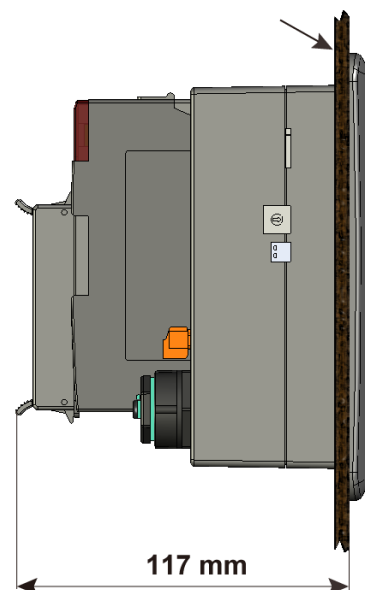


If you do not expand the I/O module full, please keep the top case of the unused slot to protect the backplane from dirt, dust and damage from foreign objects.

### 4 Mounting the Hardware

The View PAC can be mounted on a panel of maximum thickness 12 mm. Adequate access space can be available at the rear of the instrument panel for wiring and servicing purposes.

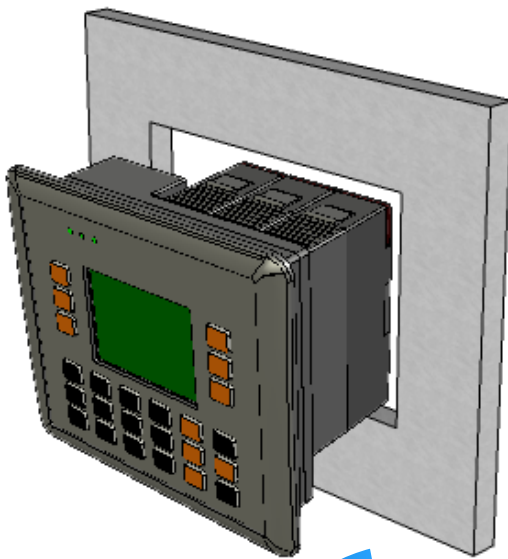
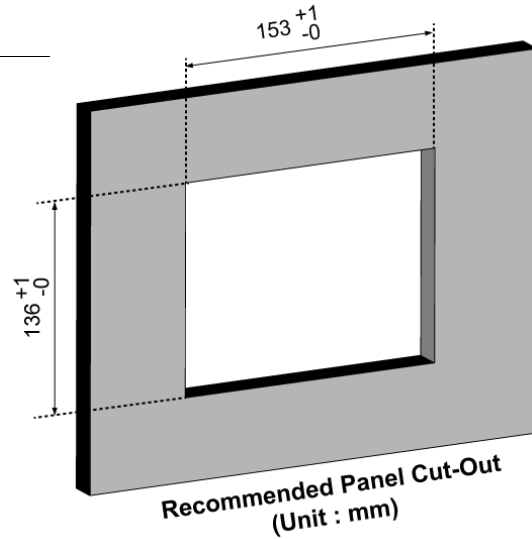
Panel thickness up to 12 mm





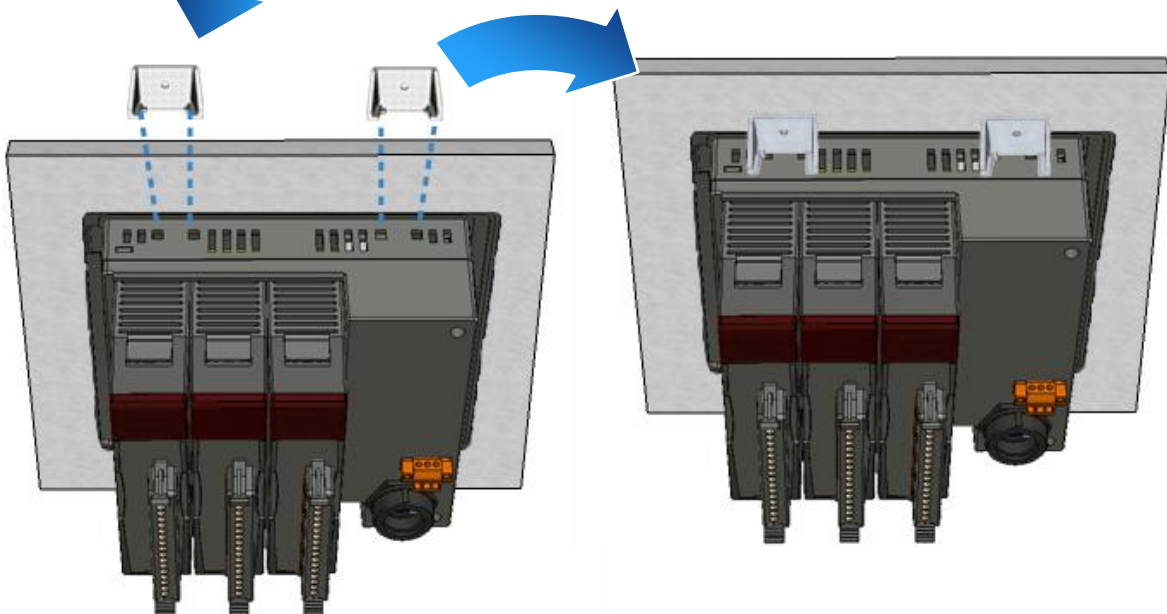
To ensure proper ventilation for your View PAC, leave a minimum of 50mm space between the top and bottom edges of the View PAC and the enclosure panels.

- 1) Prepare the panel and cut the hole to the specified size.



- 2) Attach the View PAC to the cut-out hole.

- 3) Insert the panel mounting clips into the upper and lower ventilation holes.

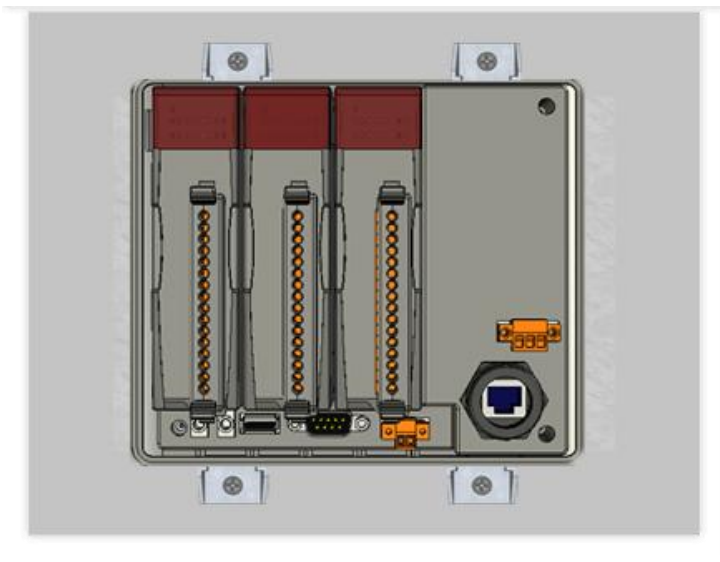
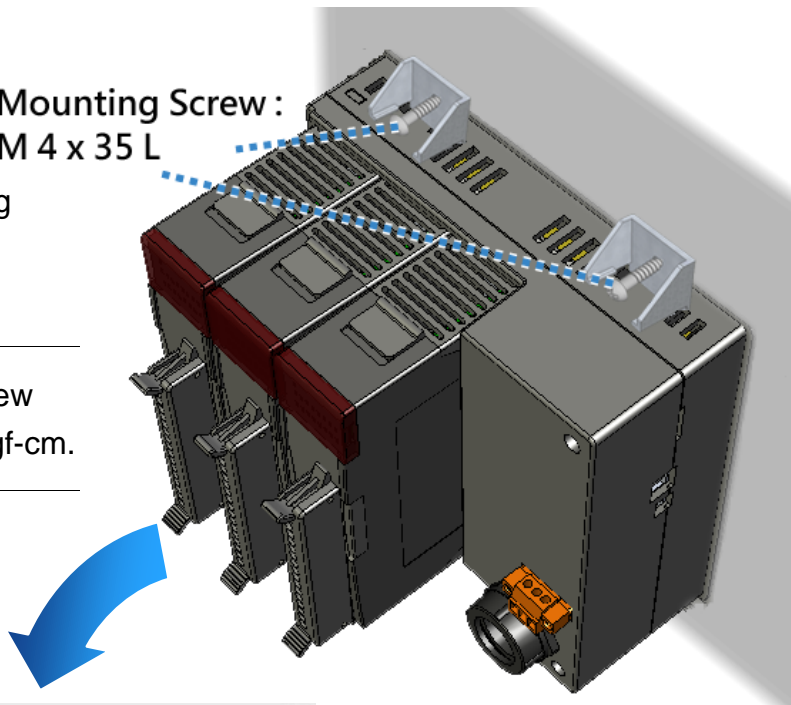


- 4) Screw the panel mounting clips to the panel.

Mounting Screw :  
M 4 x 35 L

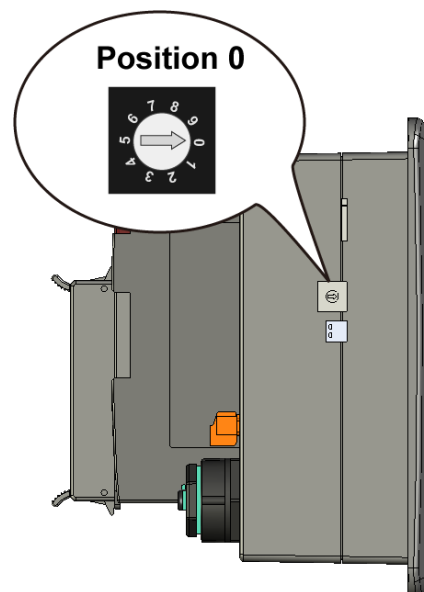


Recommended Screw  
Torque: 3.4 ~ 4.5 kgf-cm.



## 5 Setting up the View PAC

- 1) Turn the rotary switch to the position 0.

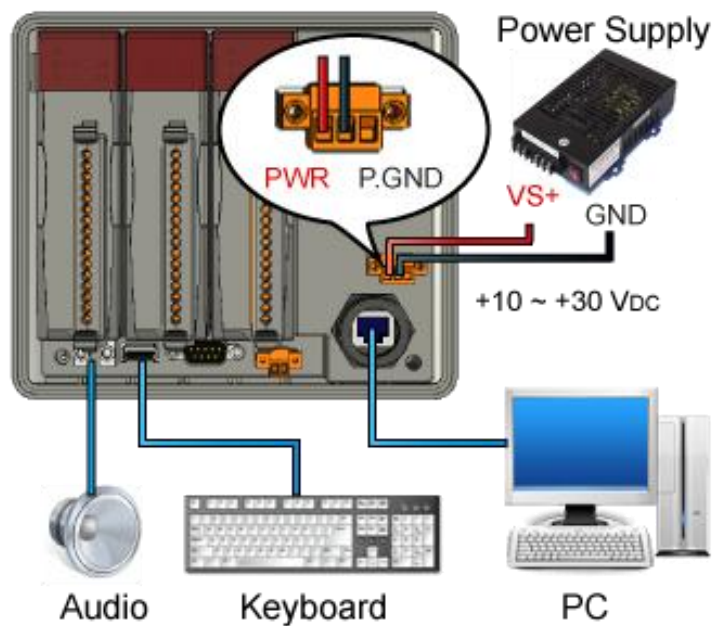


- 2) Connect the positive terminal (+) of the power supply to the terminal PWR and the negative terminal (-) of the power supply to the P.GND.



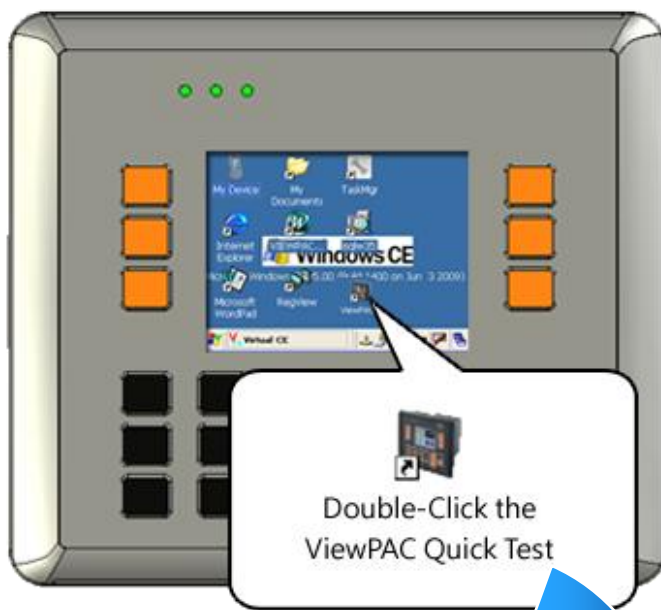
The input range of power supply is +10 ~ +30 VDC

- 3) Connect PC to the Ethernet port.
- 4) Connect the USB keyboard to the USB port.
- 5) Connect the audio to the microphone and earphone jack.
- 6) Turn on the View PAC.

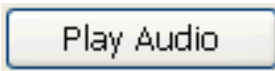


# 6 Start the View PAC Quick Test to check out the View PAC particular functions

View PAC combines Win PAC, graphic display and keypad dial in one unit. The View PAC Quick Test is a toolkit used to check out the View PAC particular function compared with Win PAC.

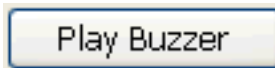


### Audio Options:



Play Audio button is used to check the audio output.

### Buzzer Options:



Play Buzzer button is used to check the buzzer.

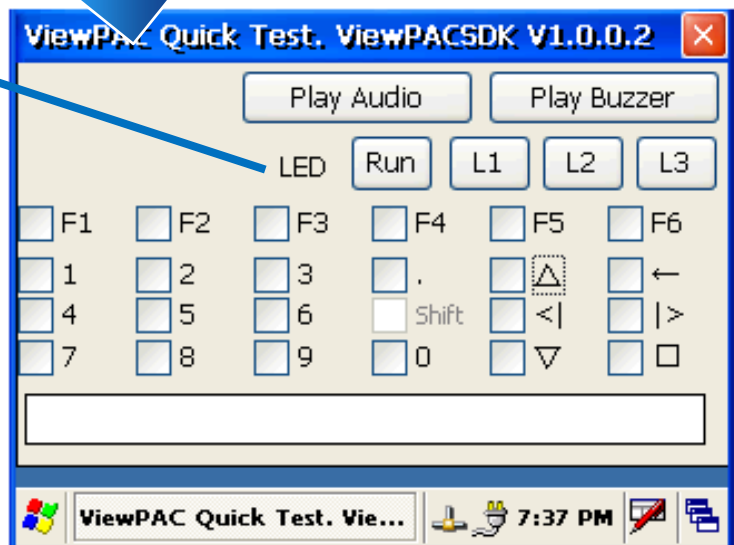
### LED Options:

These buttons is used to check LEDs sign.

### KeyPAD Option:

Checkboxes is used to check the KeyPAD.

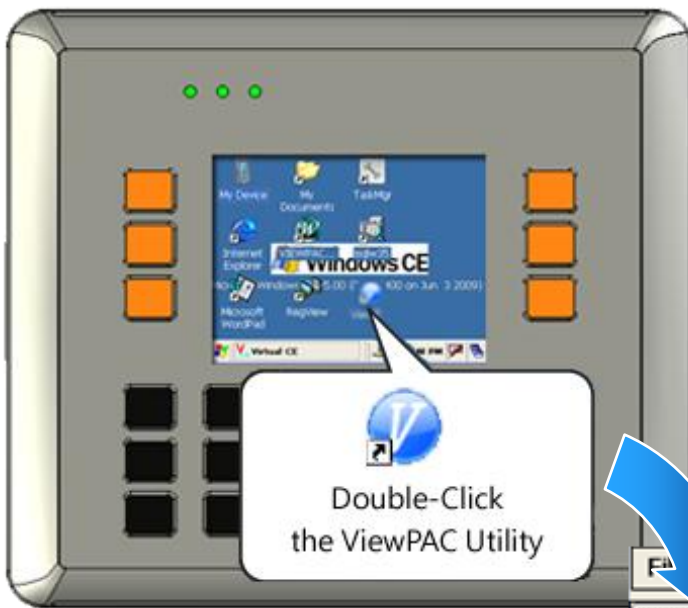
Text field is used to check the input format.



The shift key is a modifier key used to enter alternate upper letters or characters.



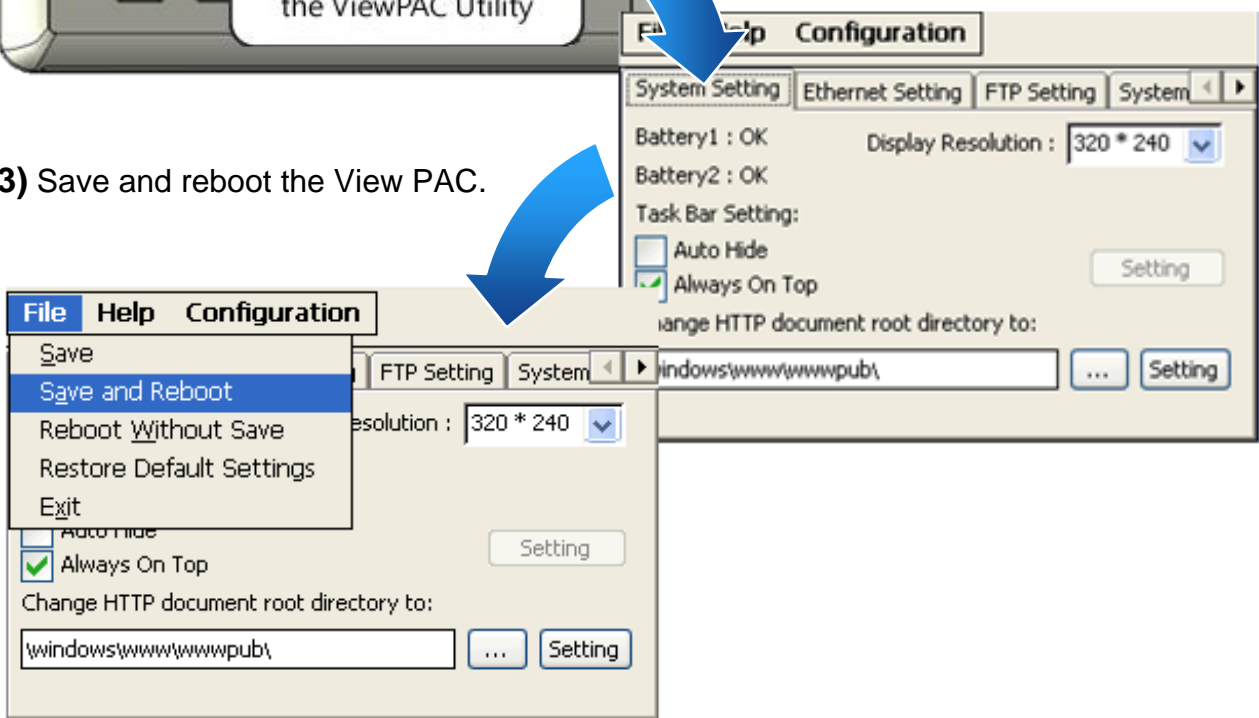
## 7 Start the View PAC Utility to manage View PAC



The View PAC Utility is a toolkit used to quickly control and manage the View PAC.

- 1) Run the View PAC Utility located on desktop.
- 2) Configure IP address (DHCP), FTP Server, Auto Execution files..., etc.

- 3) Save and reboot the View PAC.



## 8 Start the DCON Utility to configure I-87K series modules

DCON Utility is a tool kit used to quickly control and manage I-87K series expansion I/O modules.



Run the DCON firmware on the View PAC.

The DCON firmware is located at:

`\System_Disk\tools\DCON_CE\`



1) Run the DCON Utility on the host PC.

The DCON Utility is located at:

`CD:\Napdos\wp-8x4x_ce50\PC_Tools\DCON_UTILITY\`

[http://ftp.icpdas.com/pub/cd/winpac/napdos/wp-8x4x\\_ce50/pc\\_tools/dcon\\_utility/](http://ftp.icpdas.com/pub/cd/winpac/napdos/wp-8x4x_ce50/pc_tools/dcon_utility/)

2) Click the WIN CE button.



3) On the WINCE device connection, enter the IP address of the View PAC to search the I-87K series expansion I/O modules.



4) It will display a list of I-87K series expansion I/O modules, then select the module name that you want to configure.

Module	Address	Baudrate	Checksum	Name	Status	Description
WinPAC8000	00	115200	Disable	NUL		WinPAC8000 System (CON)
xxxx	50	115200	Disable			(Parallel bus module) (a) (None)
xxxx	51	115200	Disable			(Parallel bus module) (a) (None)
xxxx	52	115200	Disable			(Parallel bus module) (a) (None)
xxxx	53	115200	Disable			(Parallel bus module) (a) (None)
xxxx	54	115200	Disable			(Parallel bus module) (a) (None)
xxxx	55	115200	Disable			(Parallel bus module) (a) (None)
xxxx	56	115200	Disable			(Parallel bus module) (a) (None)
xxxx	57	115200	Disable			(Parallel bus module) (a) (None)