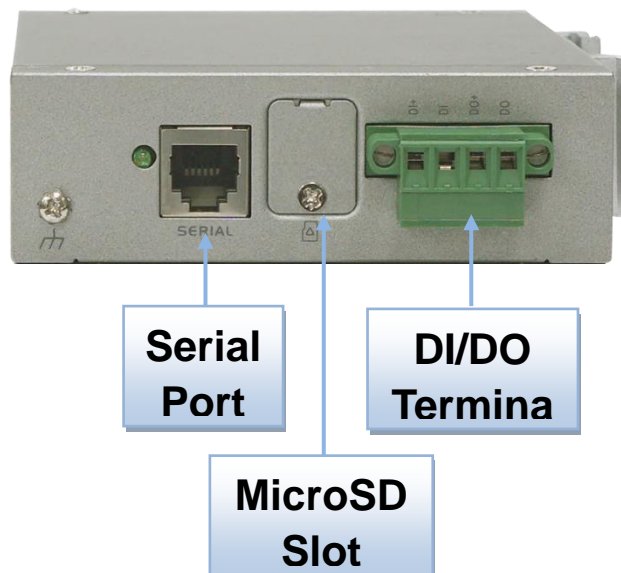
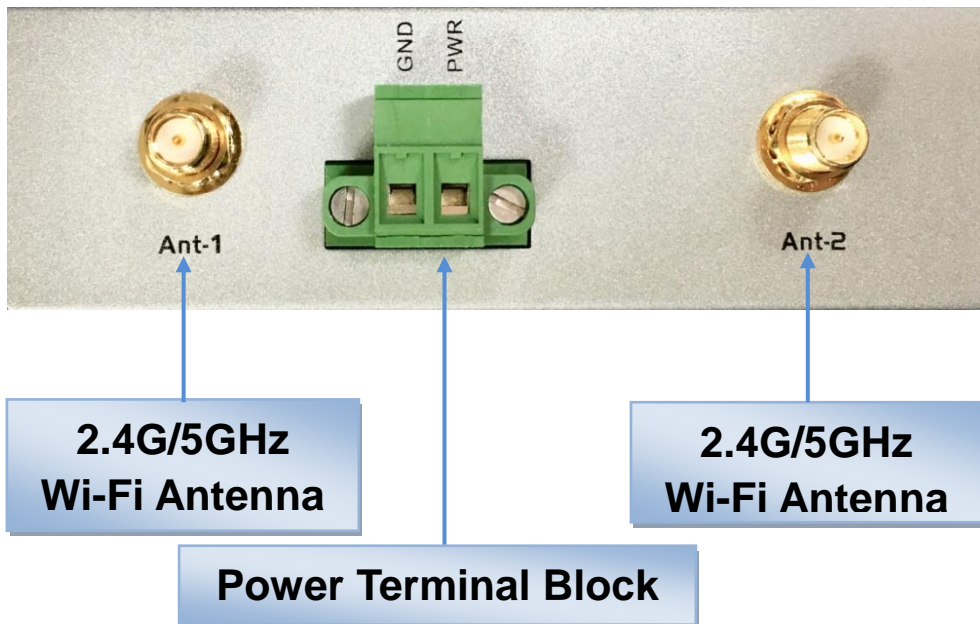
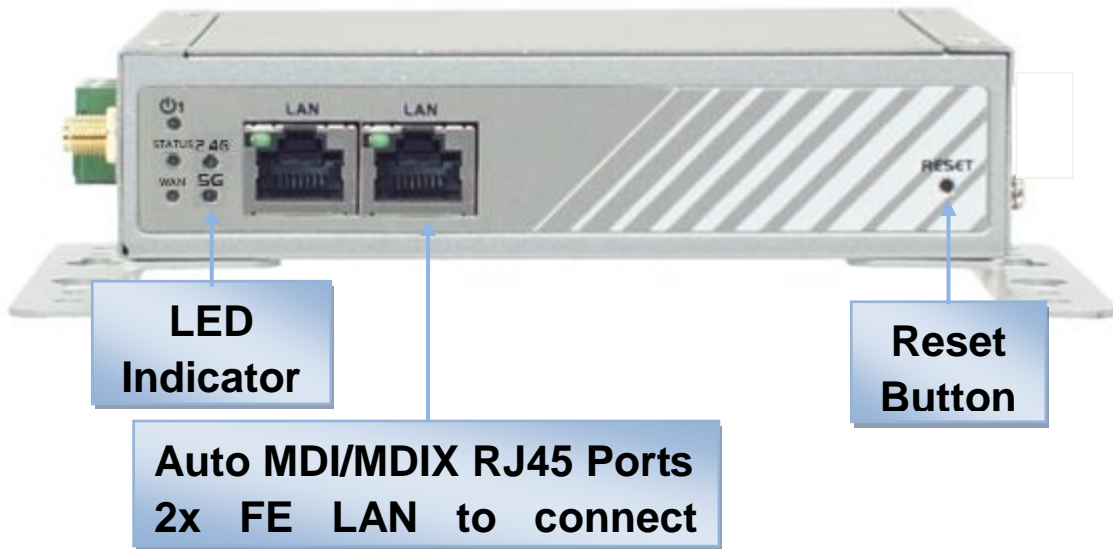


What's in the box?

In addition to this guide, the package includes the following items:

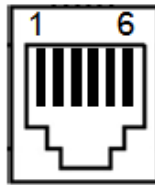
Items	Description	Contents	Quantity
1	IOP760		1 pcs
2	2.4/5 GHz Wi-Fi Antenna		2 pcs
3	Power Adapter		1 pcs
	Category A plug type		1 pcs (IOP760)
	Category E plug type		1 pcs (IOP760-EU)
4	RJ-45 Cable		1 pcs
5	Mounting Kits		1 pcs (3 screws)
6	Terminal Block		1 pcs
			1 pcs

1 Appearance








2 Wire connections and pin assignments

RJ12 Receptacle



PIN Interface	PIN1	PIN2	PIN3	PIN4	PIN5	PIN6
RS-232	-	RX	TX	-	GND	-
RS-485	-	Data-	Data+	-	GND	-

3 LED Indicator

LED Icon	Indication	LED Color	Description
	Power	Blue	Steady ON: Device is powered on by power source
STATUS	STATUS	Blue	Slow Flash(per Second): Device works normally Very Fast Flash : Device is in Recovery Mode or abnormal
WAN	WAN	Blue	OFF: No data packet transferred via WAN interface In Flashing: while data packet transferred via WAN interface
	2.4GHz	Blue	Flash: Data packet transferred. Dark: Wireless Radio is disable
	5GHz	Blue	Flash: Data packet transferred. Dark: Wireless Radio is disable
	LAN1~LAN2	Blue	Steady ON: Ethernet connection of LAN WAN is established Flash: Data packets are transferred
	Serial Port	Blue	Steady ON: If serial device is attached

4 Web Setting Interface

Step1. The IP of PC is 192.168.123.X. The “X” is 1 to 253. The submask is 255.255.255.0.

Step2. Please input the “192.168.123.254”* on the URL with the WEB browser(<http://192.168.123.254>). It can configure the IOP760 by the WEB UI interface. The default User name is “admin”**. The default password is “admin”**.

*The default IP is 192.168.123.254

**The default User name and password is “admin”.

Step3. Please click the “login” button that can enter to the IOP760’s web setting page.

Step4. More applications setting can refer to the IOP760’s user manual on chapter 9(Application).