



I/O CARD QUICK START GUIDE

for **PISO-P32C32/P32A32**

<i>Language</i>	English
<i>Version</i>	V1.0
<i>Update</i>	Oct.2008

1

What's on your package?

- One PISO-P32C32/P32A32 series card
- One companion PCI CD (V3.5 or later)
- One Quick Start Guide(This document)

2

Installing Windows Driver

Follow those steps:

1. Setup the Windows driver.




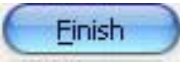
You can get the driver from:

CD:\NAPDOS\PCI\PISO-DIO\DLL_OCX\Driver\

http://ftp.icpdas.com/pub/cd/iocard/pci/napdos/pci/piso-dio/dll_ocx/driver/



Windows driver only support windows 98/NT/2000 and XP/2003/vista 32-bit versions.

2. Click  button to start installation.
3. Click  button to install driver into the default folder.
4. Click  button to continue installation.
5. Select **“NO, I will restart my computer later”** and then click  button.

3

Installing Hardware on PC

Follow those steps:

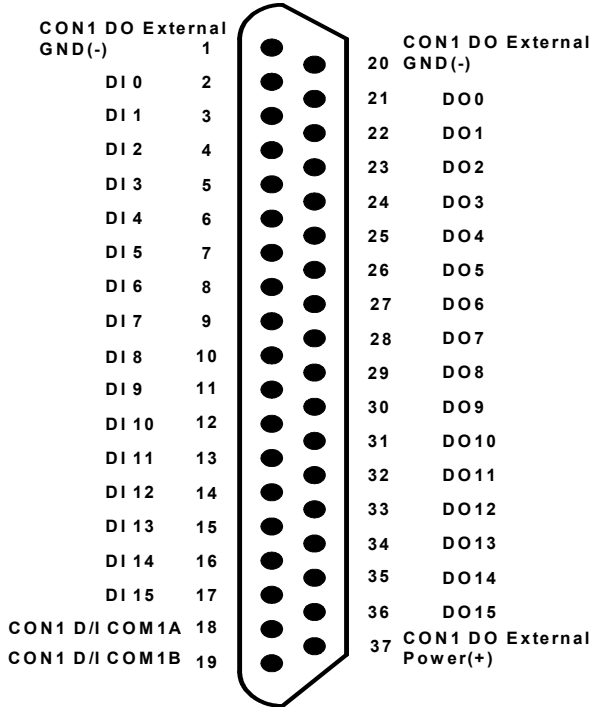
1. Shut down and power off your computer
2. Remove all covers from the computer
3. Select an empty PCI slot
4. Carefully insert your I/O card into the PCI slot
5. Replace the PC covers
6. Power on the computer

After powering-on the computer, the Plug&Play card could work immediately.

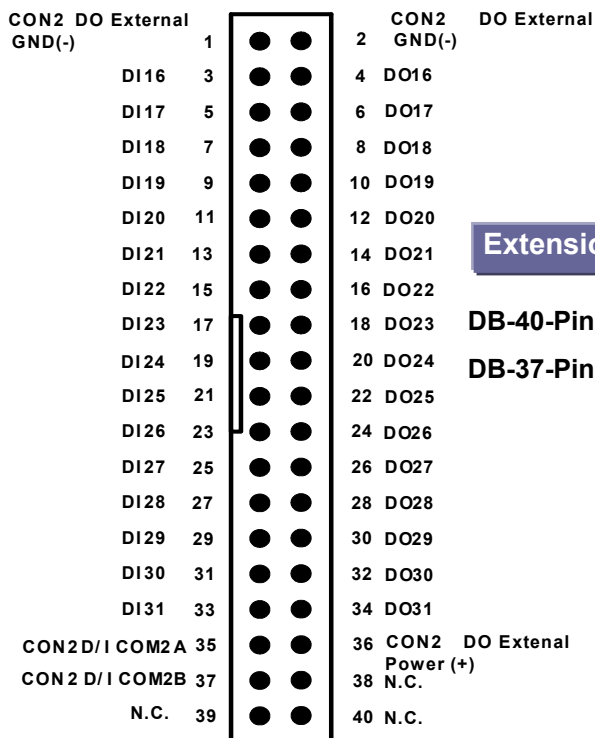
4

Pin Assignments & Jumper Setting

CON1 Pin assignment

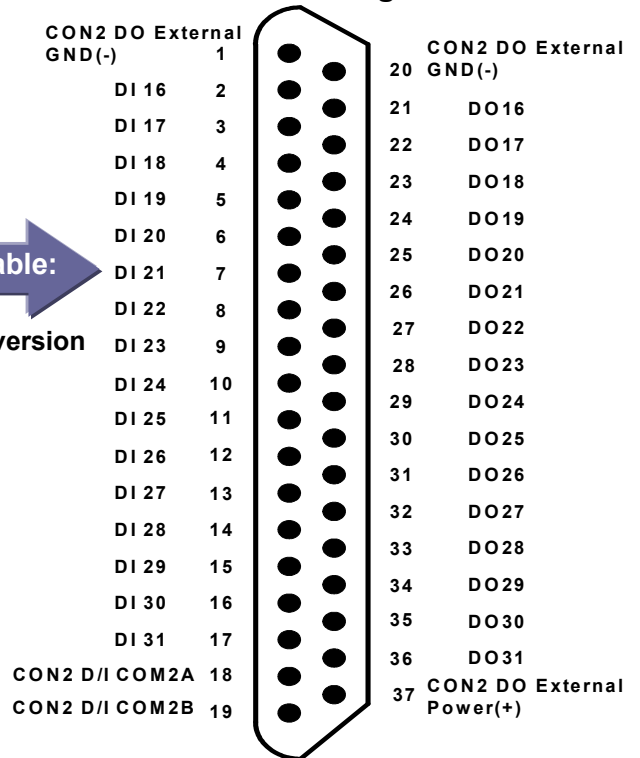


CON2 Pin assignment

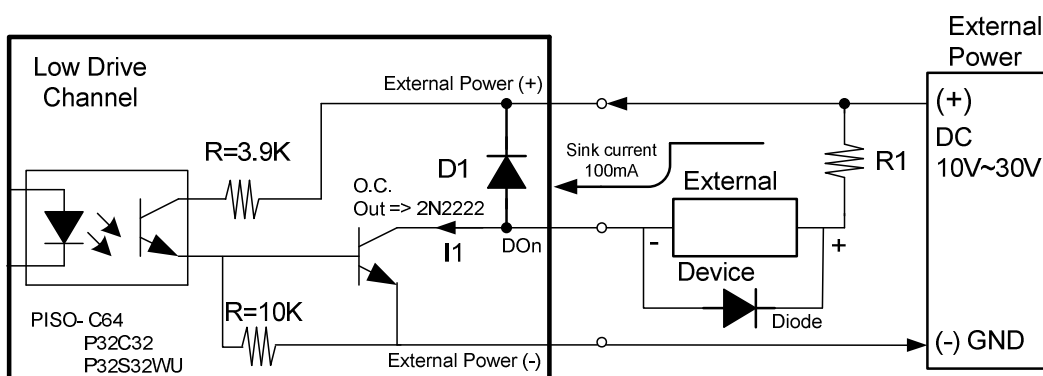
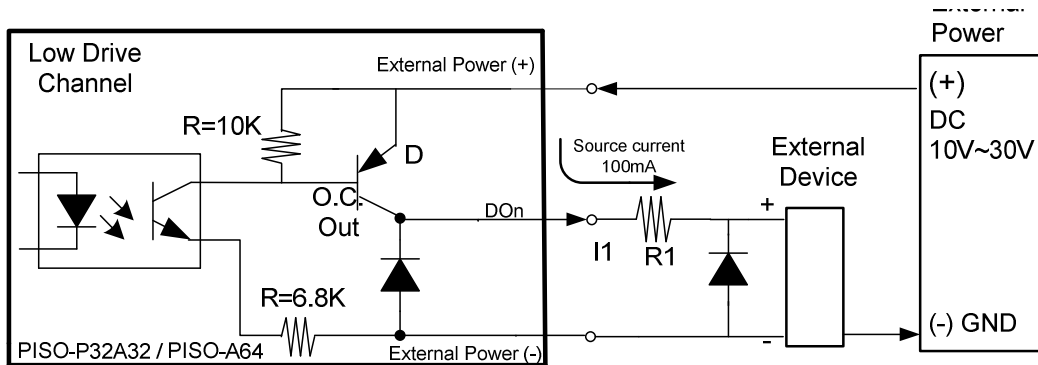


Extension cable:
DB-40-Pin conversion
DB-37-Pin

CON2 Pin assignment



➤ Wiring Note:

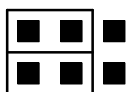


※Recommend: It is necessary to connect a diode in the output end as means of preventing damage from the counter emf. If your External Device is inductive Load, Ex. Relay...

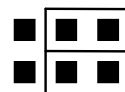


To prevent the board damaged forever by overload, the GND pins (CON1: pin 1/20, CON2: pin 1/20) all must be connected with GND of External Power.

➤ JP1, JP2 Jumper Setting



INTERNAL



EXTERNAL

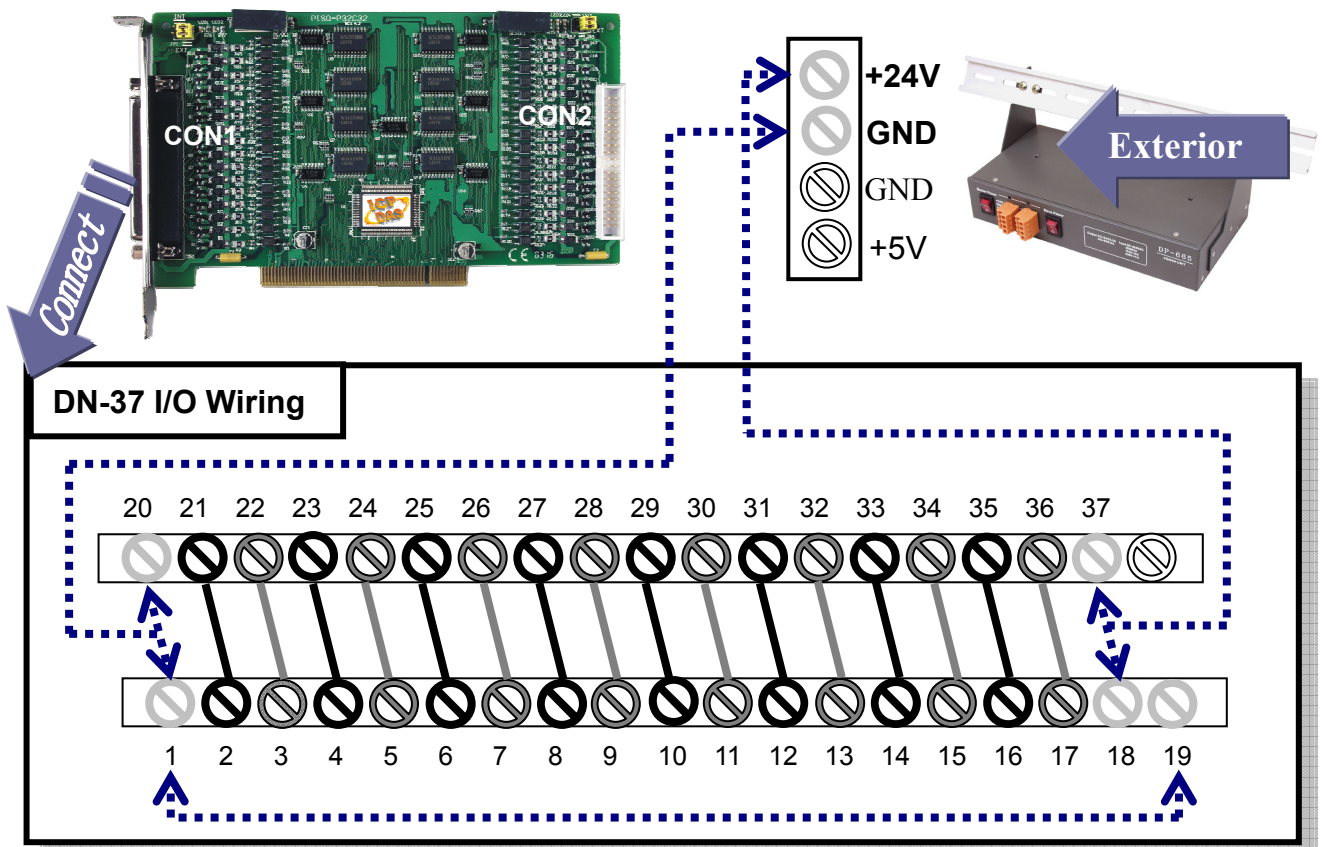
(Default setting)

5

Self-Test

➤ PISO-P32C32

1. Prepare for device:
 - DN-37(Optional) wiring terminal board.
 - Exterior power supply device. For example: DP-665(Optional)
2. Use DN-37 to connect the board CON1.
3. Setting JP1 and JP2 to External Power
4. Connect the DI(0-15) with DO(0-15)
==> DI0 with DO0 ... DI15 with DO15
5. Power Supply(+) connect to DI CON1A/CON2A(pin 18)
Power Supply(+) connect to DO External Power(+, pin 37)
Power Supply(-) connect to DI CON1B/CON2B (pin 19)
Power Supply(-) connect to DO External GND(-, pin 1, 20)
(※Suggested that use external power for upwards of +12V)



➤ PISO-P32A32

1. Prepare for device:

➤ DN-37(Optional) wiring terminal board.

➤ Exterior power supply device. For example: DP-665(Optional)

2. Use DN-37 to connect the board CON1.

3. Setting JP1 and JP2 to External Power

4. Connect the DI(0-15) with DO(0-15)

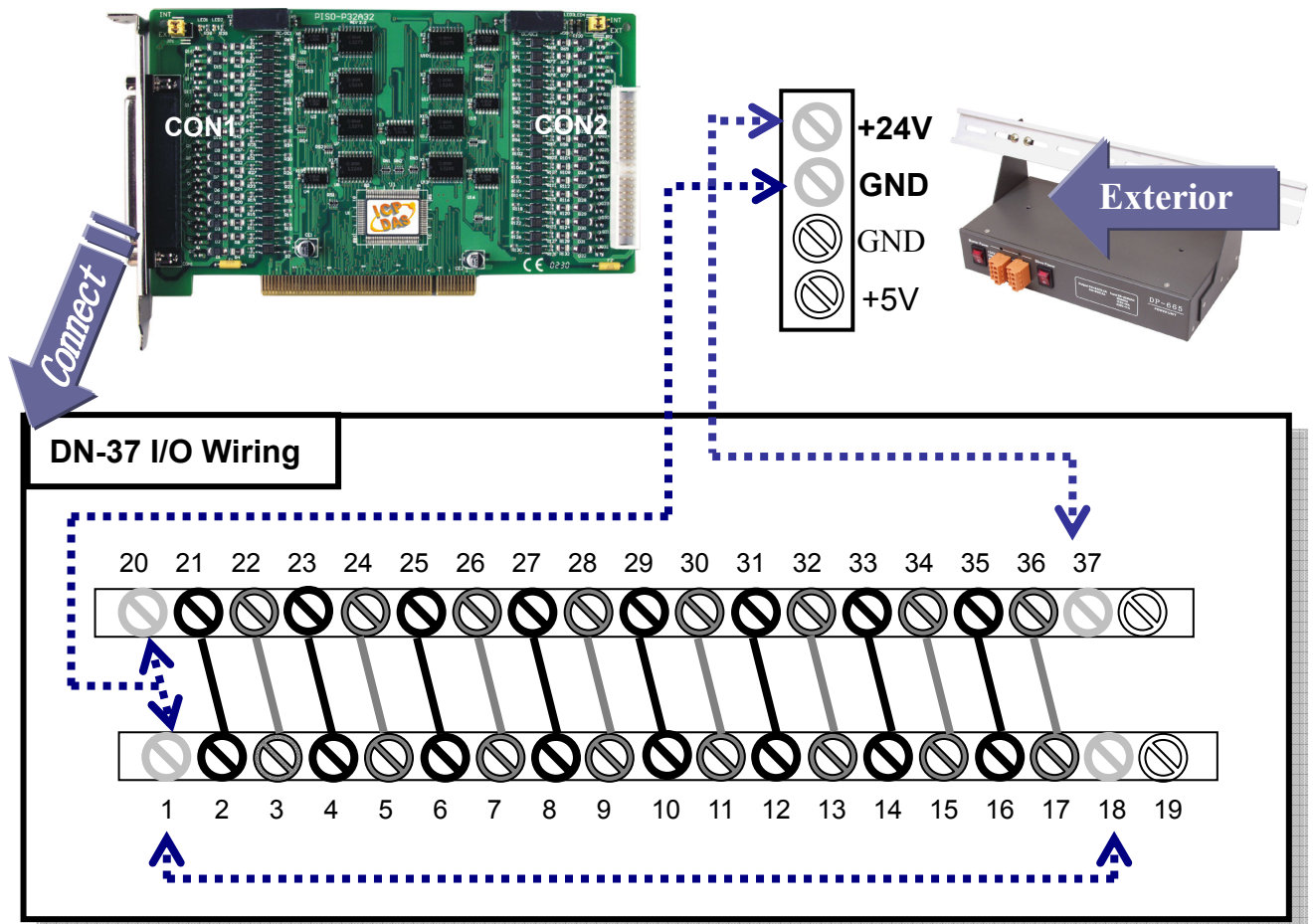
==> DI0 with DO0 ... DI15 with DO15

5. Power Supply (+) connect to DO External Power(+, pin 37)

Power Supply (-) connect to DI CON1A/CON2A (pin 18)

Power Supply (-) connect to DO External GND (-, pin 1, 20)

(※Suggested that use external power for upwards of +12V)



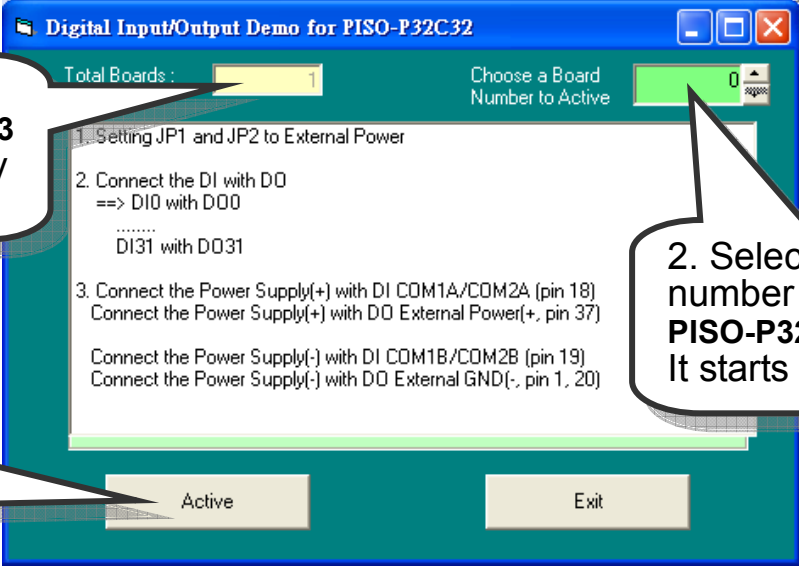
6. Run the PISO-P32C32/P32A32 sample program.

Get the file from:

CD:\NAPDOS\PCI\PISO-DIO\DLL_OCX\Demo\

http://ftp.icpdas.com/pub/cd/iocard/pci/napdos/pci/piso-dio/dll_ocx/demo/

7. Check number of the PISO-P32C32/P32A32 and test DIO (0-15) function.

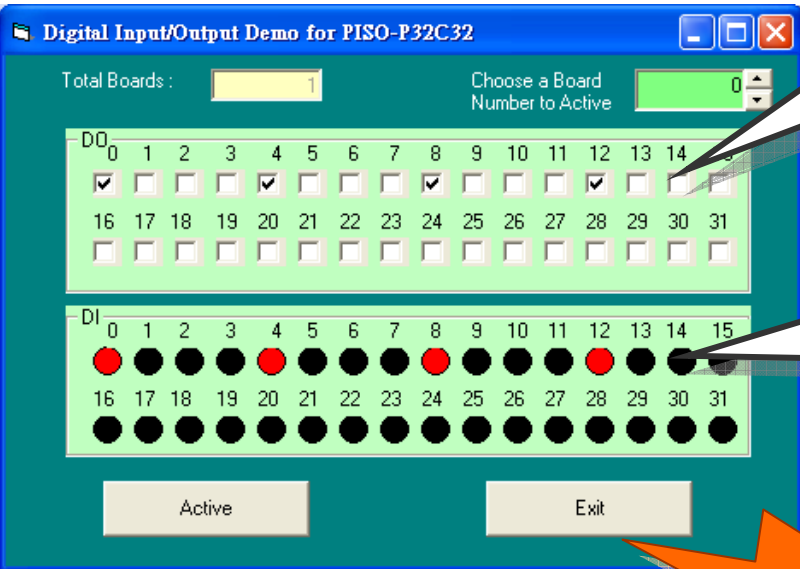


1. The one PISO-P32C32/P32A32 2 had successfully installed to PC.

2. Select the board number for the PISO-P32C32/P32A32. It starts from 0.

3. Click this button to do DIO test.

8. Get DIO(0-15) function test result.



4. Click the channel 0, 4, 8, 12 in the DO.

5. DI show to channel 0, 4, 8, 12 for high state. (Red light)

Complete

6

Additional Information

✓ **PISO-P32C32/P32A32 Series Card Product page:**

http://www.icpdas.com/products/DAQ/pc_based/piso_p32c32.htm

http://www.icpdas.com/products/DAQ/pc_based/piso_p32a32.htm

✓ **DP-665(Optional) page:**

http://www.icpdas.com/products/Accessories/power_supply/dp-665.htm

✓ **DN-37(Optional) page:**

http://www.icpdas.com/products/DAQ/screw_terminal/dn_37.htm

✓ **Documents:**

CD:\NAPDOS\PCI\PISO-DIO\Manual

<http://ftp.icpdas.com/pub/cd/iocard/pci/napdos/pci/piso-dio/manual/>

✓ **Software:**

CD:\NAPDOS\PCI\PISO-DIO

<http://ftp.icpdas.com/pub/cd/iocard/pci/napdos/pci/piso-dio/>

The ICP DAS Web Site

<http://www.icpdas.com>



- Technical support
- Supplies and ordering information
- Ways to enhance your device
- FAQ
- Application story

Contact Us

Service@icpdas.com

Copyright ©2008 by ICP DAS Co., Ltd. All right are reserved