



I/O CARD QUICK START GUIDE

for **PISO-730/730A**

Language	English
Version	V1.1
Update	Jan.2009

1 What's on your package?

- One PISO-730/730A series card
- One companion PCI CD (V3.5 or later)
- One Quick Start Guide(This document)

2 Installing Windows Driver

Follow those steps:

1. Setup the Windows driver.




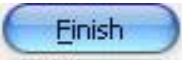
You can get the driver from:

CD:\NAPDOS\PC\PISO-DIO\DLL_OCX\Driver\

http://ftp.icpdas.com/pub/cd/iocard/pci/napdos/pci/piso-dio/dll_ocx/driver/



Windows driver only support windows 98/NT/2000 and XP/2003/vista 32-bit versions.

2. Click  button to start installation.
3. Click  button to install driver into the default folder.
4. Click  button to continue installation.
5. Select **“NO, I will restart my computer later”** and then click  button.

3

.....

Installing Hardware on PC

Follow those steps:

1. Shut down and power off your computer
2. Remove all covers from the computer
3. Select an empty PCI slot
4. Carefully insert your I/O card into the PCI slot
5. Replace the PC covers
6. Power on the computer

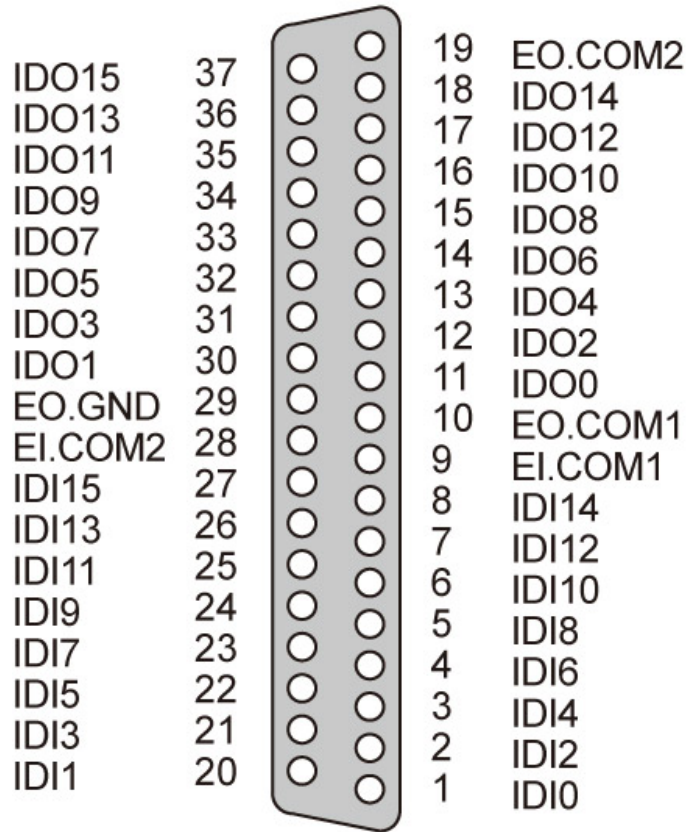
After powering-on the computer, the Plug&Play card could work immediately.

4

Pin Assignments

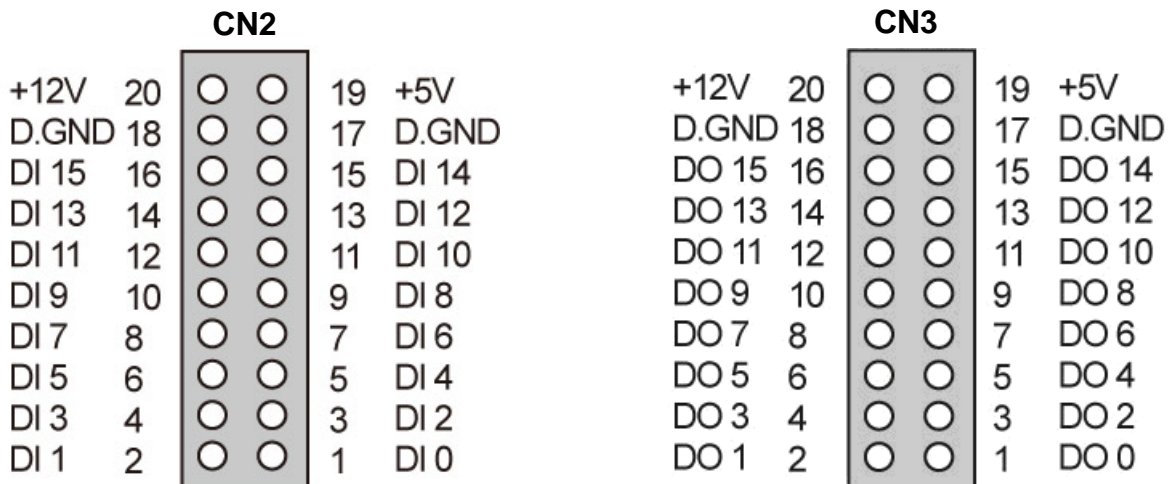
➤ Isolated I/O connector.

CN1: The 37 pins of the D-type female connector.



➤ TTL-level I/O connector.

CN2/CN3: The 20 pins of the flat-cable connector.



5

Self-Test

1. Prepare for device:
 - DN-37(Optional) wiring terminal board.
 - Exterior power supply device. For example: DP-665(Optional)
 - CA-2002(Optional) 20-pin flat cable.
2. Use CA-2002(Optional) to connect the CN2 with CN3.
3. Use DN-37 to connect the board CN1.
4. Connect the CN1.IDI0 with CN1.IDO0...CN1.IDI15 with CN1.IDO15. (Pin1 connect to Pin11 ... Pin27 connect to Pin37)
5. Connect the EI.COM1 with EI.COM2;
Connect the EO.COM1 with EO.COM2.
(Pin9 connect to Pin28; Pin10 connect to Pin19)

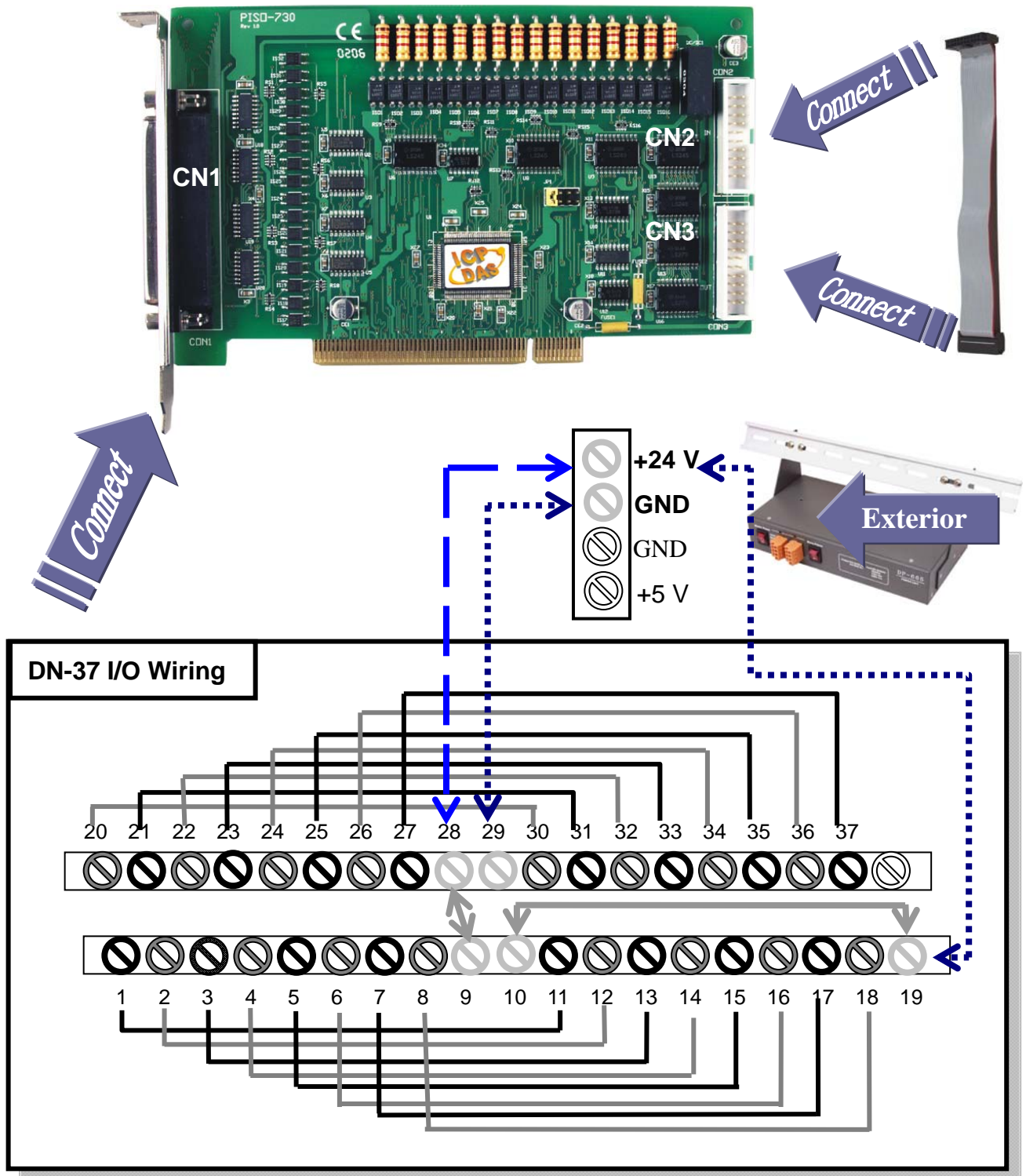
PDS-730 External Power Wiring:

6. Supply the External Power +24 V to EO.COM2.
Supply the External Power +24 V to EI.COM2.
Supply the External Power GND to CN1.IGND.
(External +24 V connect to Pin19; External +24 V connect to Pin28; External GND connect to Pin29)

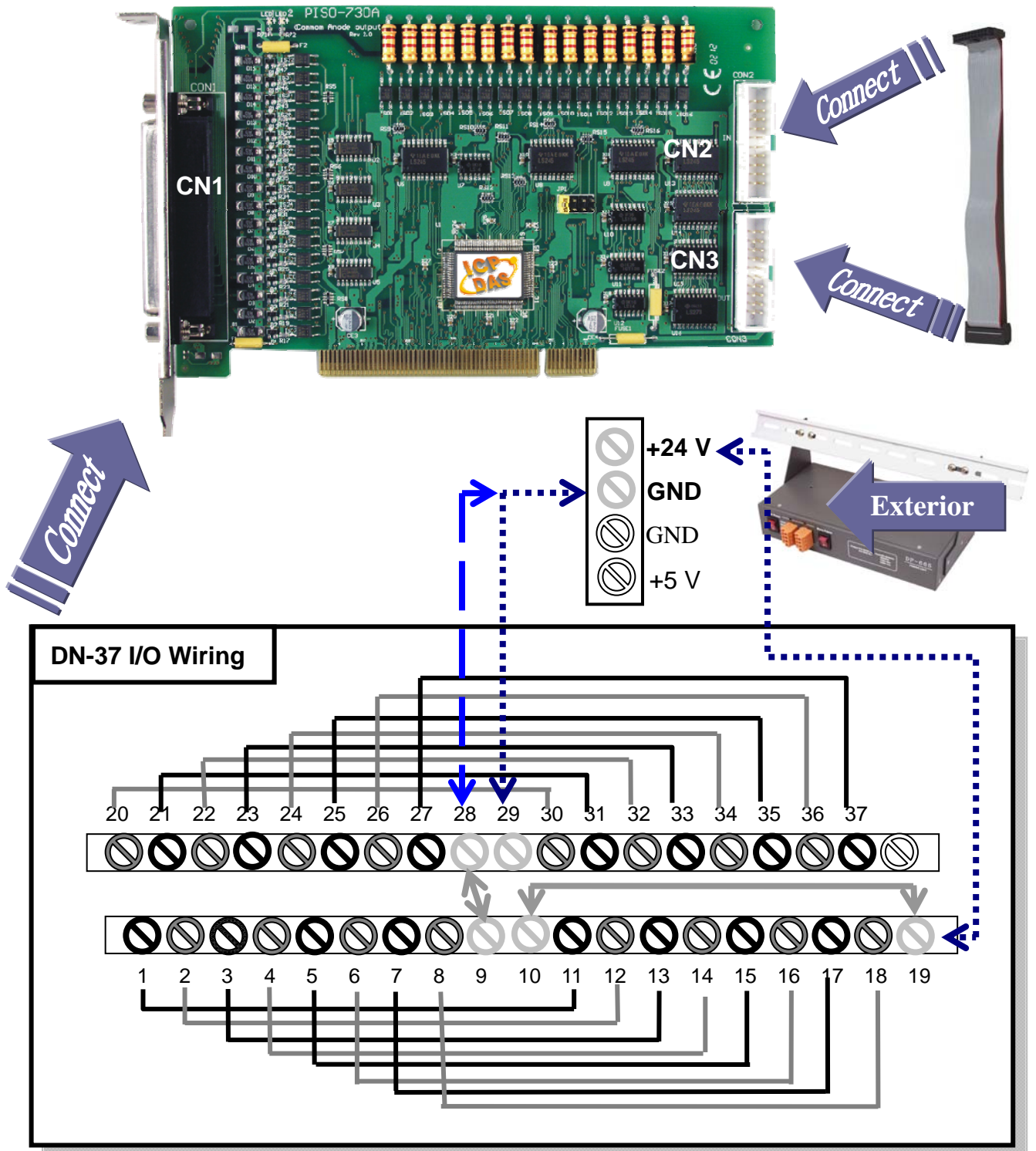
PDS-730A External Power Wiring:

6. Supply the External Power +24v to EO.COM2.
Supply the External Power GND to EI.COM2.
Supply the External Power GND to CN1.IGND.
(External +24 V connect to Pin19; External GND connect to Pin28; External GND connect to Pin29)

● PISO-730 Connecting Diagram:



● PISO-730A Connecting Diagram:



7. Run the PISO-730/730A sample program.

Get the file from: CD:\NAPDOS\PCI\PISO-DIO\DLL_OCX\Demo\
http://ftp.icpdas.com/pub/cd/iocard/pci/napdos/pci/piso-dio/dll_ocx/demo/

8. Check number of the PISO-730/730A and test DIO function.

1. The one **PISO-730/730A** had successfully installed to PC.

2. Select the board number for the PISO-730/730A. It starts from 0.

3. Click this button to do DIO test.

9. Get DIO function test result.

4. Isolated and TTL input read value and output write value for identical.

Complete

6

Additional Information

✓ **PISO-730/730A Series Card Product page:**

http://www.icpdas.com/products/DAQ/pc_based/piso_730.htm

http://www.icpdas.com/products/DAQ/pc_based/piso_730a.htm

✓ **CA-2002(Optional) page:**

http://www.icpdas.com/products/Accessories/cable/cable_selection.htm

✓ **DP-665(Optional) page:**

http://www.icpdas.com/products/Accessories/power_supply/dp-665.htm

✓ **DN-37(Optional) page:**

http://www.icpdas.com/products/DAQ/screw_terminal/dn_37.htm

✓ **Documents:**

CD:\NAPDOS\PCI\PISO-DIO\Manual

<http://ftp.icpdas.com/pub/cd/iocard/pci/napdos/pci/piso-dio/manual/>

✓ **Software:**

CD:\NAPDOS\PCI\PISO-DIO

<http://ftp.icpdas.com/pub/cd/iocard/pci/napdos/pci/piso-dio/>

The ICP DAS Web Site

<http://www.icpdas.com>



Contact Us

Service@icpdas.com

- Technical support
- Supplies and ordering information
- Ways to enhance your device
- FAQ
- Application story

Copyright ©2008 by ICP DAS Co., Ltd. All right are reserved