



I/O CARD QUICK START GUIDE

for

**PISO-730-5V
PISO-730A-5V**

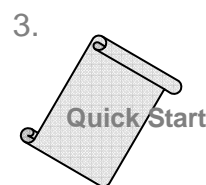
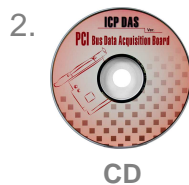
Language
Version
Update

English
V1.0
Mar.2010

1

What's on your package?

- One PISO-730-5V/730A-5V series card
- One companion PCI CD (V4.6 or later)
- One Quick Start Guide (This document)
- One CA-4002 D-Sub connector



2

Installing Windows Driver

Follow these steps:

1. Set up the Windows driver.

The driver is located at:

CD:\NAPDOS\PCI\PISO-DIO\DLL_OCX\Driver\

http://ftp.icpdas.com/pub/cd/iocard/pci/napdos/pci/piso-dio/dll_ocx/driver/



The Windows driver only supports Windows 98/NT/2K and 32-bit Windows XP/2003/Vista/7 versions.

2. Click the  button to start installation.
3. Click the  button to install driver into the default folder.
4. Click the  button to continue installation.
5. Select “**NO, I will restart my computer later**” and then click the  button.

3

Installing Hardware on PC

Follow these steps:

1. Shut down and power off your computer.
2. Remove the cover from the computer.
3. Select an unused PCI slot.
4. Carefully insert your I/O card into the PCI slot.
5. Replace the PC cover.
6. Power on the computer

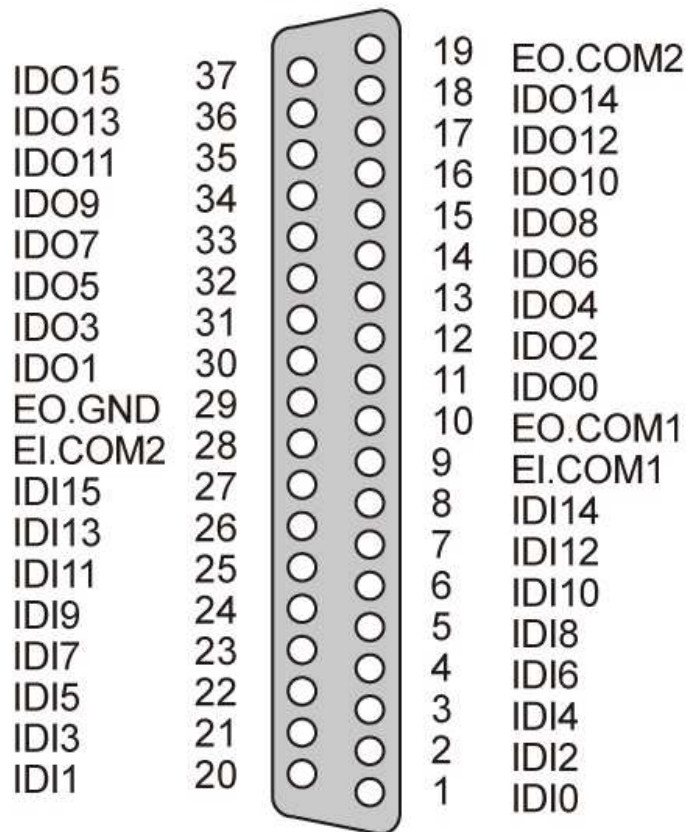
After powering-on the computer, please finish the Plug&Play steps according to the prompt message.

4

Pin Assignments

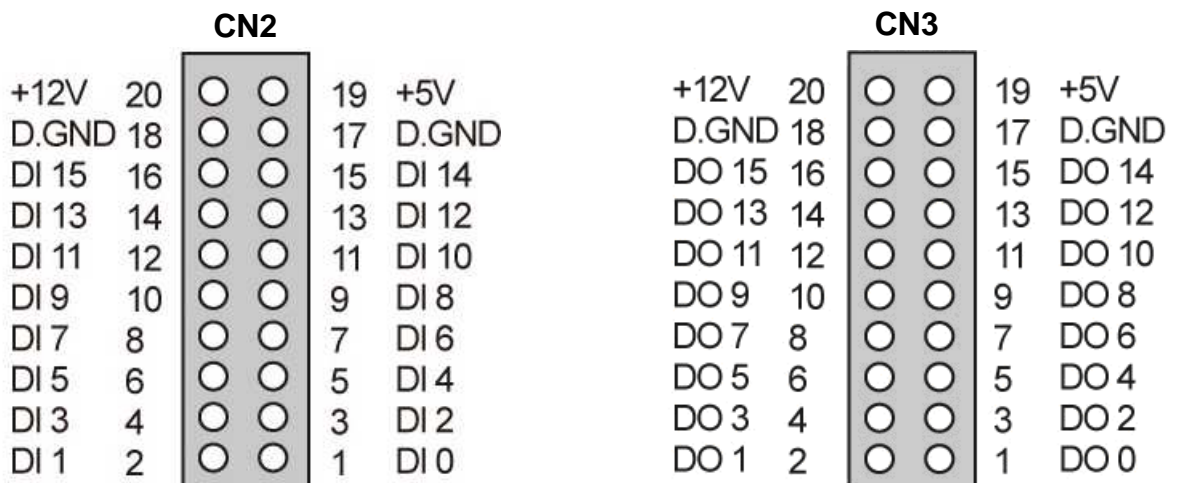
- Isolated I/O connector.

CN1: The 37 pins of the D-type female connector.



- TTL-level I/O connector.

CN2/CN3: The 20 pins of the flat-cable connector.



5

Self Test

1. Prepare for device:
 - DN-37(Optional) wiring terminal board.
 - Exterior power supply device. For example: DP-665(Optional)
 - CA-2002(Optional) 20-pin flat cable.
2. Use the CA-2002(Optional) to connect the CN2 to CN3.
3. Use the DN-37 to connect the board CN1.
4. Connect the CN1.IDI0 to CN1.IDO0...CN1.IDI15 to CN1.IDO15. (Pin1 connect to Pin11 ... Pin27 connect to Pin37)
5. Connect the EI.COM1 to EI.COM2;
Connect the EO.COM1 to EO.COM2.
(Pin9 connect to Pin28; Pin10 connect to Pin19)

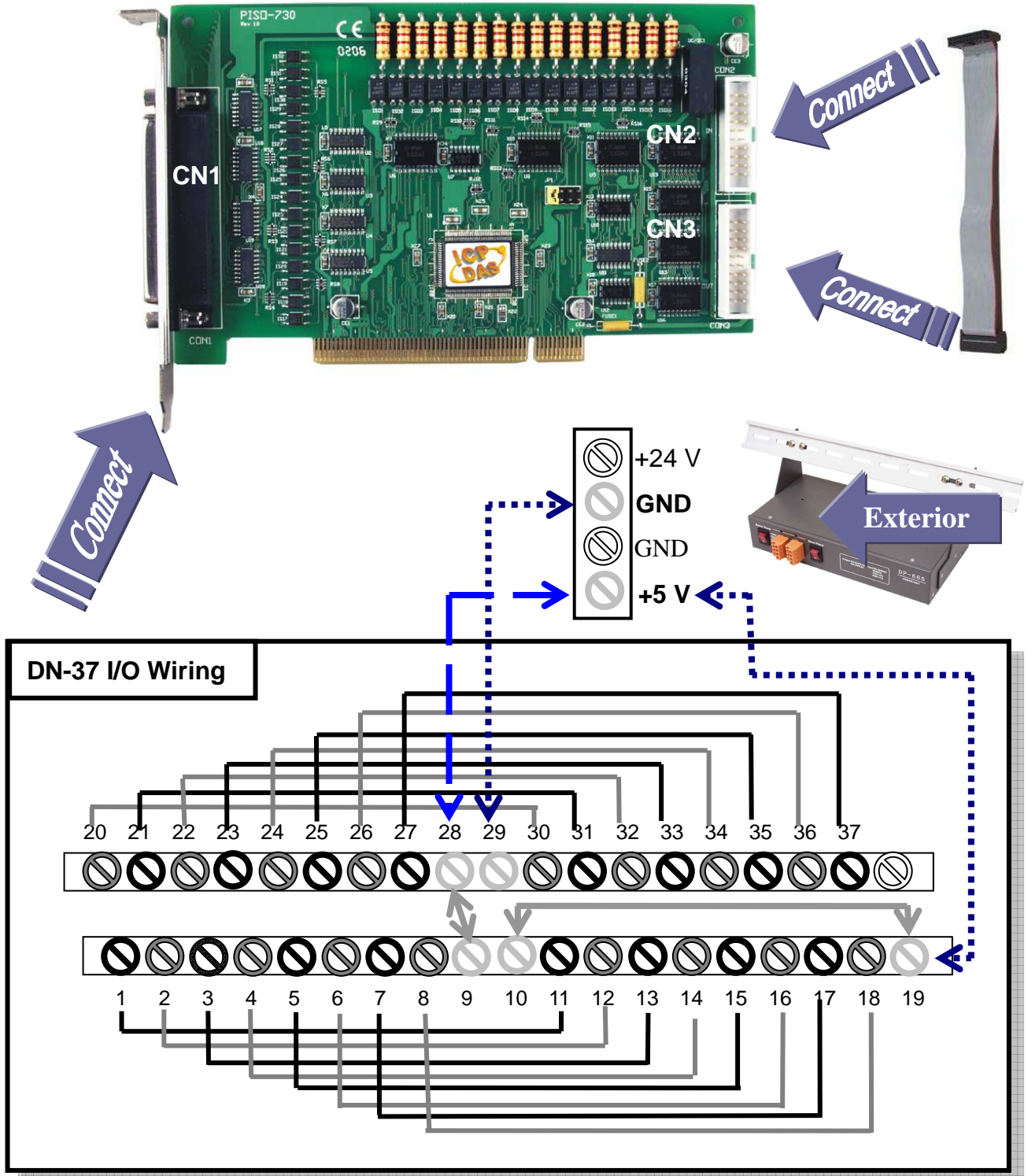
PISO-730-5V External Power Wiring:

6. Supply the External Power +5 V to EO.COM2.
Supply the External Power +5 V to EI.COM2.
Supply the External Power GND to CN1.IGND.
(External +5 V connect to Pin19; External +5 V connect to Pin28; External GND connect to Pin29)

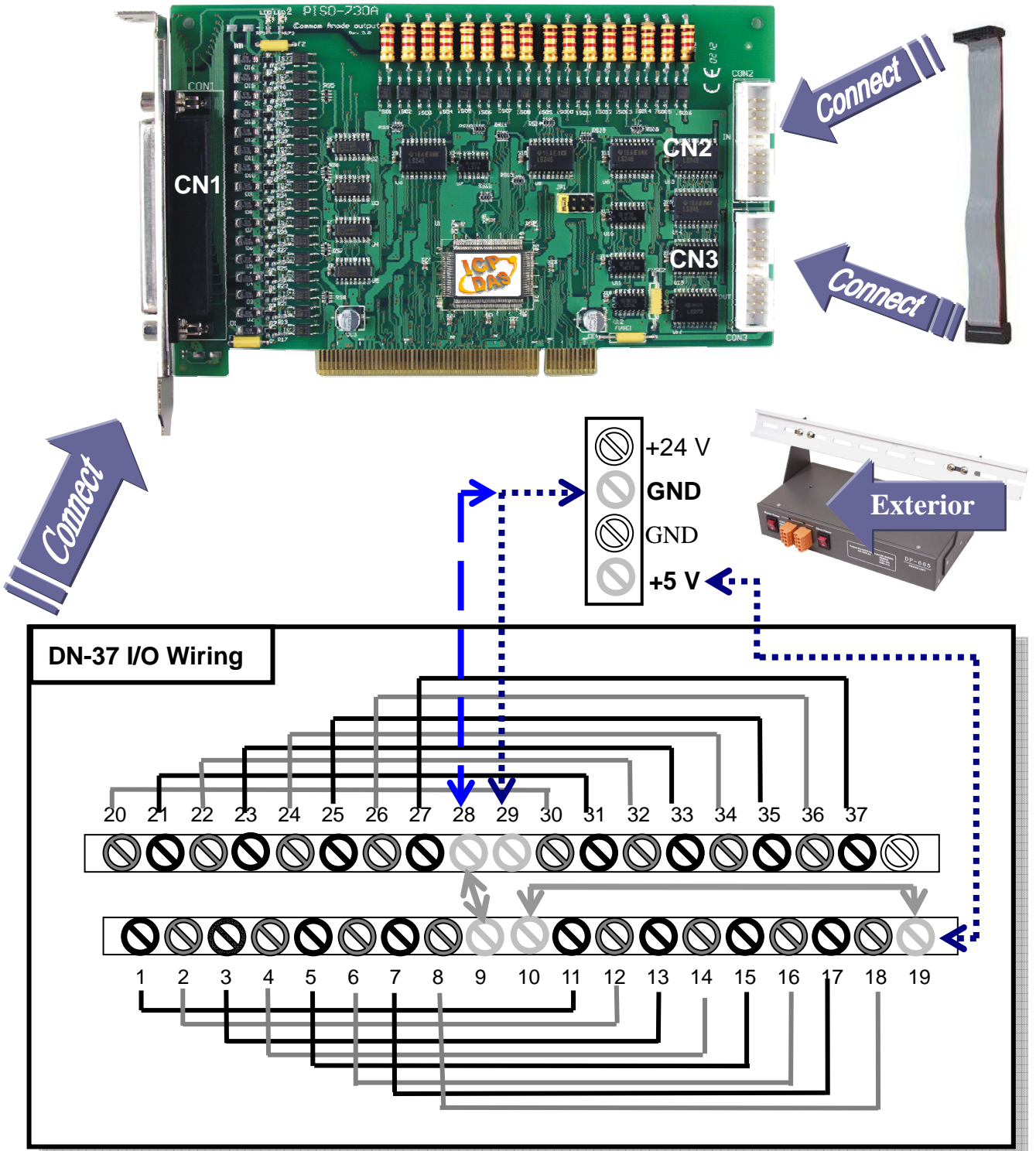
PISO-730A-5V External Power Wiring:

6. Supply the External Power +5 V to EO.COM2.
Supply the External Power GND to EI.COM2.
Supply the External Power GND to CN1.IGND.
(External +5 V connect to Pin19; External GND connect to Pin28; External GND connect to Pin29)

● PISO-730-5V Connecting Diagram:



● PISO-730A-5V Connecting Diagram:



7. Execute the PISO-730-5V/730A-5V sample program.

The sample program is contained in:

CD:\NAPDOS\PCI\PISO-DIO\DLL_OCX\Demo\

http://ftp.icpdas.com/pub/cd/iocard/pci/napdos/pci/piso-dio/dll_ocx/demo/

8. Check the board number of the PISO-730-5V/730A-5V and test DIO function.

1. The one PISO-730-5V/730A-5V had successfully installed to PC.

2. Select the board number for the PISO-730-5V/730A-5V. It starts from 0.

3. Click this button to do DIO test.

9. Get DIO function test result.

4. Isolated and TTL input read value and output write value for identical.

Complete

6

Additional Information

✓ **PISO-730-5V/730A-5V Series Card Product page:**

http://www.icpdas.com/products/DAQ/pc_based/piso_730.htm

http://www.icpdas.com/products/DAQ/pc_based/piso_730a.htm

✓ **CA-2002(Optional) page:**

http://www.icpdas.com/products/Accessories/cable/cable_selection.htm

✓ **DP-665(Optional) page:**

http://www.icpdas.com/products/Accessories/power_supply/dp-665.htm

✓ **DN-37(Optional) page:**

http://www.icpdas.com/products/DAQ/screw_terminal/dn_37.htm

✓ **Documentation:**

CD:\NAPDOS\PCI\PISO-DIO\Manual

<http://ftp.icpdas.com/pub/cd/iocard/pci/napdos/pci/piso-dio/manual/>

✓ **Software:**

CD:\NAPDOS\PCI\PISO-DIO

<http://ftp.icpdas.com/pub/cd/iocard/pci/napdos/pci/piso-dio/>

The ICP DAS Web Site

<http://www.icpdas.com>



Contact Us

Service@icpdas.com

- Technical support
- Supplies and ordering information
- Information related to upgrades, new technologies, products and solutions
- FAQ
- Application story

Copyright ©2010 by ICP DAS Co., Ltd. All rights are reserved