



I/O CARD QUICK START GUIDE

for **PISO-725**

<i>Language</i>	English
<i>Version</i>	V1.1
<i>Update</i>	Feb.2009

1 What's on your package?

- One PISO-725 series card
- One companion PCI CD (V3.3 or later)
- One Quick Start Guide(This document)

2 Installing Windows Driver

Follow those steps:

1. Setup the Windows driver.




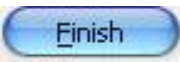
You can get the driver from:

CD:\NAPDOS\PC\PISO-725\DLL_OCX\

http://ftp.icpdas.com/pub/cd/iocard/pci/napdos/pci/piso-725/dll_ocx/



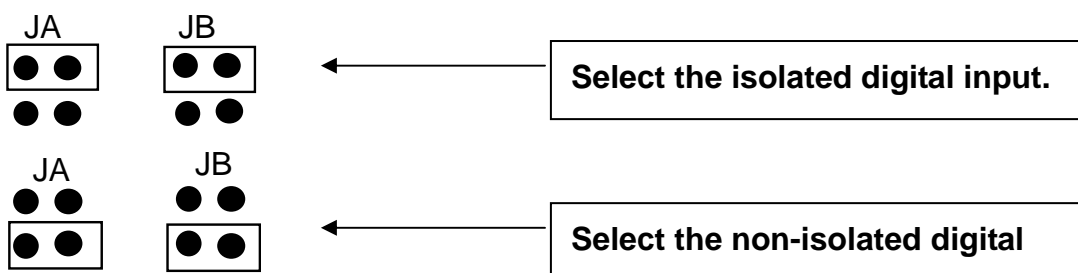
Windows driver only support windows 98/NT/2000 and XP/2003/vista 32-bit versions.

2. Click  button to start installation.
3. Click  button to install driver into the default folder.
4. Click  button to continue installation.
5. Select **“NO, I will restart my computer later”** and then click  button.

3

Jumper Setting

Channel	Signal Name	Pin Assignment	Jumper
(0+, 0-)	(DIA0,DIB0)	(12,30)	JA1 & JB1
(1+, 1-)	(DIA1,DIB1)	(13,31)	JA2 & JB2
(2+, 2-)	(DIA2,DIB2)	(14,32)	JA3 & JB3
(3+, 3-)	(DIA3,DIB3)	(15,33)	JA4 & JB4
(4+, 4-)	(DIA4,DIB4)	(16,34)	JA5 & JB5
(5+, 5-)	(DIA5,DIB5)	(17,35)	JA6 & JB6
(6+, 6-)	(DIA6,DIB6)	(18,36)	JA7 & JB7
(7+, 7-)	(DIA7,DIB7)	(19,37)	JA8 & JB8



4

Installing Hardware on PC

Follow those steps:

1. Shut down and power off your computer
2. Remove all covers from the computer
3. Select an empty PCI slot
4. Carefully insert your I/O card into the PCI slot
5. Replace the PC covers
6. Power on the computer

After powering-on the computer, the Plug&Play card could work immediately.

5

Pin Assignments

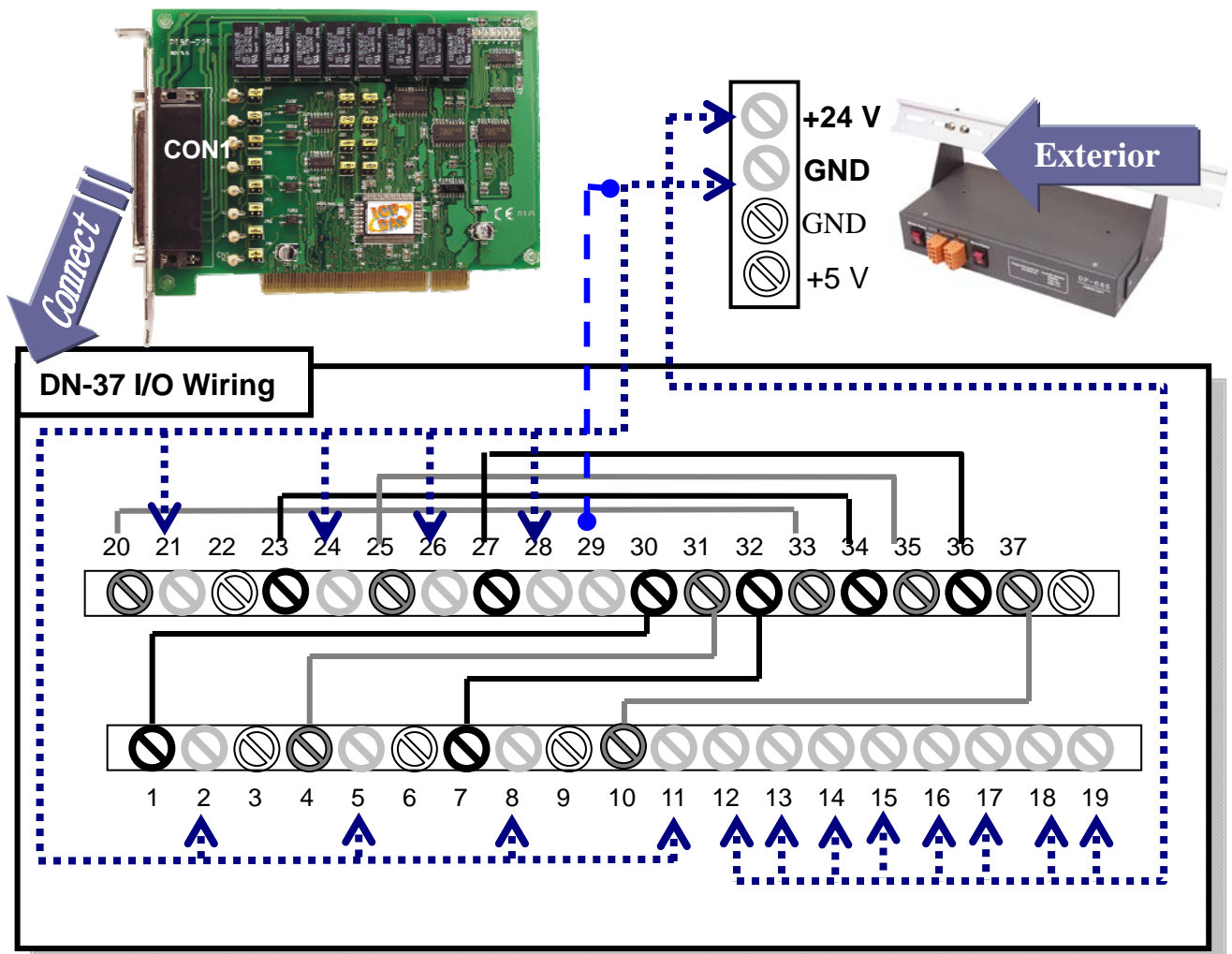
➤ **CON1: 37 pin of D-type female connector.**

Pin No.	Description	Pin No	Description
1	NO0	20	NO3
2	COM0	21	COM3
3	NC0	22	NC3
4	NO1	23	NO4
5	COM1	24	COM4
6	NC1	25	NO5
7	NO2	26	COM5
8	COM2	27	NO6
9	NC2	28	COM6
10	NO7	29	GND
11	COM7	30	DIB0
12	DIA0	31	DIB1
13	DIA1	32	DIB2
14	DIA2	33	DIB3
15	DIA3	34	DIB4
16	DIA4	35	DIB5
17	DIA5	36	DIB6
18	DIA6	37	DIB7
19	DIA7		

6

Self-Test

1. Prepare for device:
 - DN-37(Optional) wiring terminal board.
 - Exterior power supply device. For example: DP-665(Optional)
2. Use DN-37 to connect the board CON1.
3. Supply the External Power +24 V to CON1.DIA0
..... Supply the External Power +24 V to CON1.DIA7.
4. Supply the External Power GND to CON1.GND and
CON1.COM0.....CON1.COM7.
5. Connect the CON1.DIB0 with CON1.NO0
..... Connect the CON1.DIB7 with CON1.NO7.



6. Run the PISO-725 sample program.

Get the file from:

CD:\NAPDOS\PCI\PISO-725\DLL_OCX\Demo\

http://ftp.icpdas.com/pub/cd/iocard/pci/napdos/pci/piso-725/dll_ocx/demo/

7. Check number of the PISO-725 and test DIO function.

1. Click this button to do DIO test.

2. The one PISO-725 had successfully installed to PC.

3. Select the board number for the PISO-725. It starts from 0.

1. Supply the External Power +5v to CON1.DIA0
.....
Supply the External Power +5v to CON1.DIA7

2. Connect the CON1.DIB0 with CON1.NO0
.....
Connect the CON1.DIB7 with CON1.NO7

3. Supply the External Power GND to CON1.COM0
.....
Supply the External Power GND to CON1.COM7

4. Click Active

Active Exit

TotalBoard 1
Choose a Board Number to Active 0

Digital Output Set ReadBack-Output : 0
0 1 2 3 4 5 6 7

Digital Input Set
0 1 2 3 4 5 6 7

Stop Exit

8. Get DIO function test result.

4. Click the channel 0 、 2 、 4 、 6 in the DO.

5. DI show to channel 0 、 2 、 4 、 6 for high state. (Red light)

Complete

TotalBoard 1
Choose a Board Number to Active 0

Digital Output Set ReadBack-Output : 55
0 1 2 3 4 5 6 7

Digital Input Set
0 1 2 3 4 5 6 7

Stop Exit

7

Additional Information

✓ **PISO-725 Series Card Product page:**

http://www.icpdas.com/products/DAQ/pc_based/piso_725.htm

✓ **DP-665(Optional) page:**

http://www.icpdas.com/products/Accessories/power_supply/dp-665.htm

✓ **DN-37(Optional) page:**

http://www.icpdas.com/products/DAQ/screw_terminal/dn_37.htm

✓ **Documents:**

CD:\NAPDOS\PCI\PISO-725\Manual

<http://ftp.icpdas.com/pub/cd/iocard/pci/napdos/pci/piso-725/manual/>

✓ **Software:**

CD:\NAPDOS\PCI\PISO-725

<http://ftp.icpdas.com/pub/cd/iocard/pci/napdos/pci/piso-725/>

The ICP DAS Web Site

<http://www.icpdas.com>



- Technical support
- Supplies and ordering information
- Ways to enhance your device
- FAQ
- Application story

Contact Us

Service@icpdas.com

Copyright ©2008 by ICP DAS Co., Ltd. All right are reserved