



I/O CARD QUICK START GUIDE

for **PCI-P16C16**

Language	English
Version	V1.1.1
Update	May 2011

1 What's on your package?

- One PCI-P16C16 card
- One companion PCI CD (V5.1 or later)
- One Quick Start Guide(This document)

2 Installing Windows Driver

Follow those steps:

I. Setup the Windows driver.




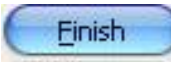
You can get the driver from:

CD:\NAPDOS\PCI\PCI-P16R16\DLL_OCX\

http://ftp.icpdas.com/pub/cd/iocard/pci/napdos/pci/pci-p16r16/dll_ocx/



Windows driver only support windows 98/NT/2000 and XP/2003/vista 32-bit versions.

- II. Click  button to start installation.
- III. Click  button to install driver into the default folder.
- IV. Click  button to continue installation.
- V. Click  button to reboot the PC.

3

.....

Installing Hardware on PC

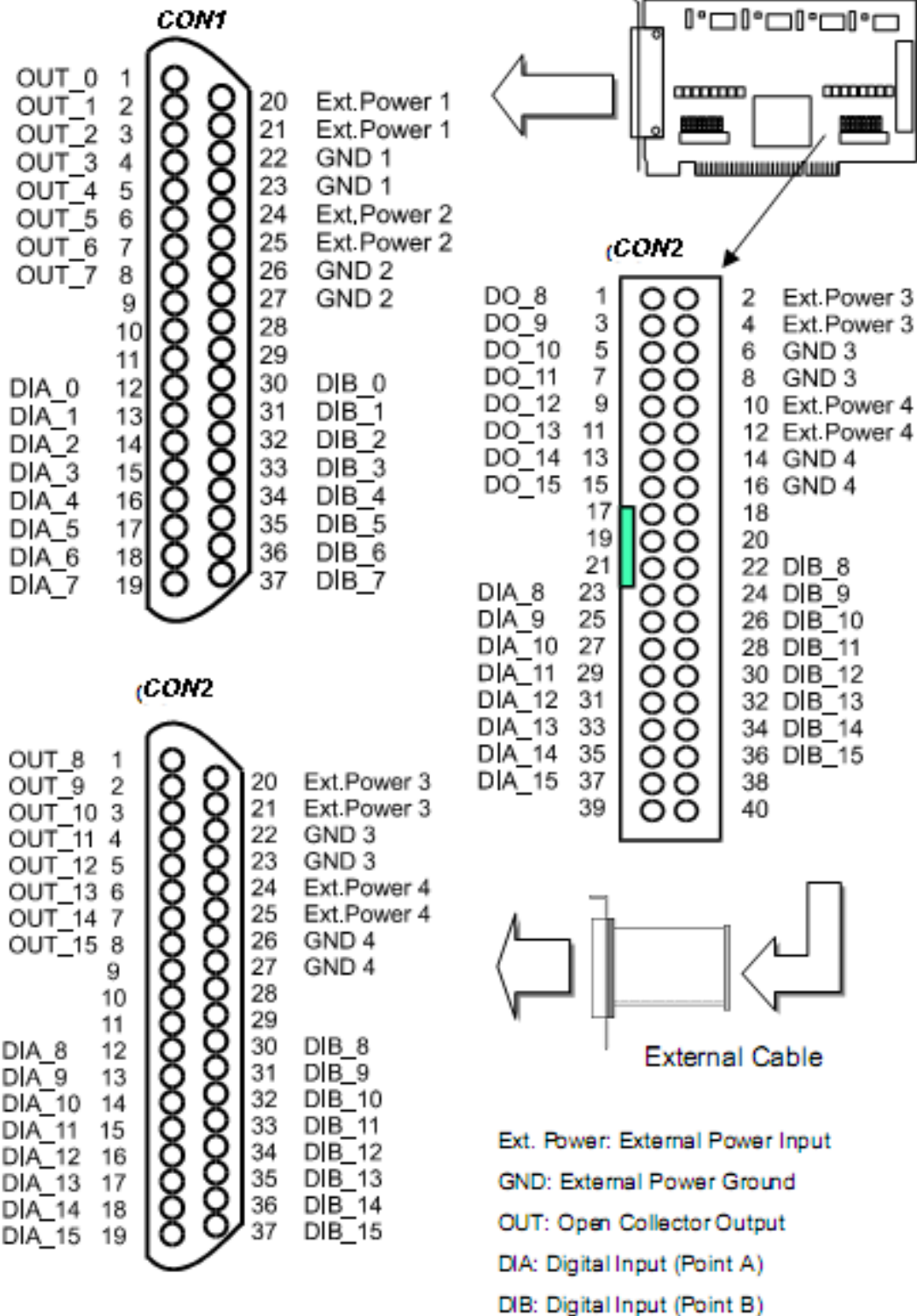
Follow those steps:

- I. Shut down your computer
- II. Remove all covers from the computer
- III. Select an unused PCI slot
- IV. Carefully insert your I/O card into the PCI slot
- V. Replace the PC covers
- VI. Power on the computer

After powering-on the computer, the Plug&Play card could work immediately.

4

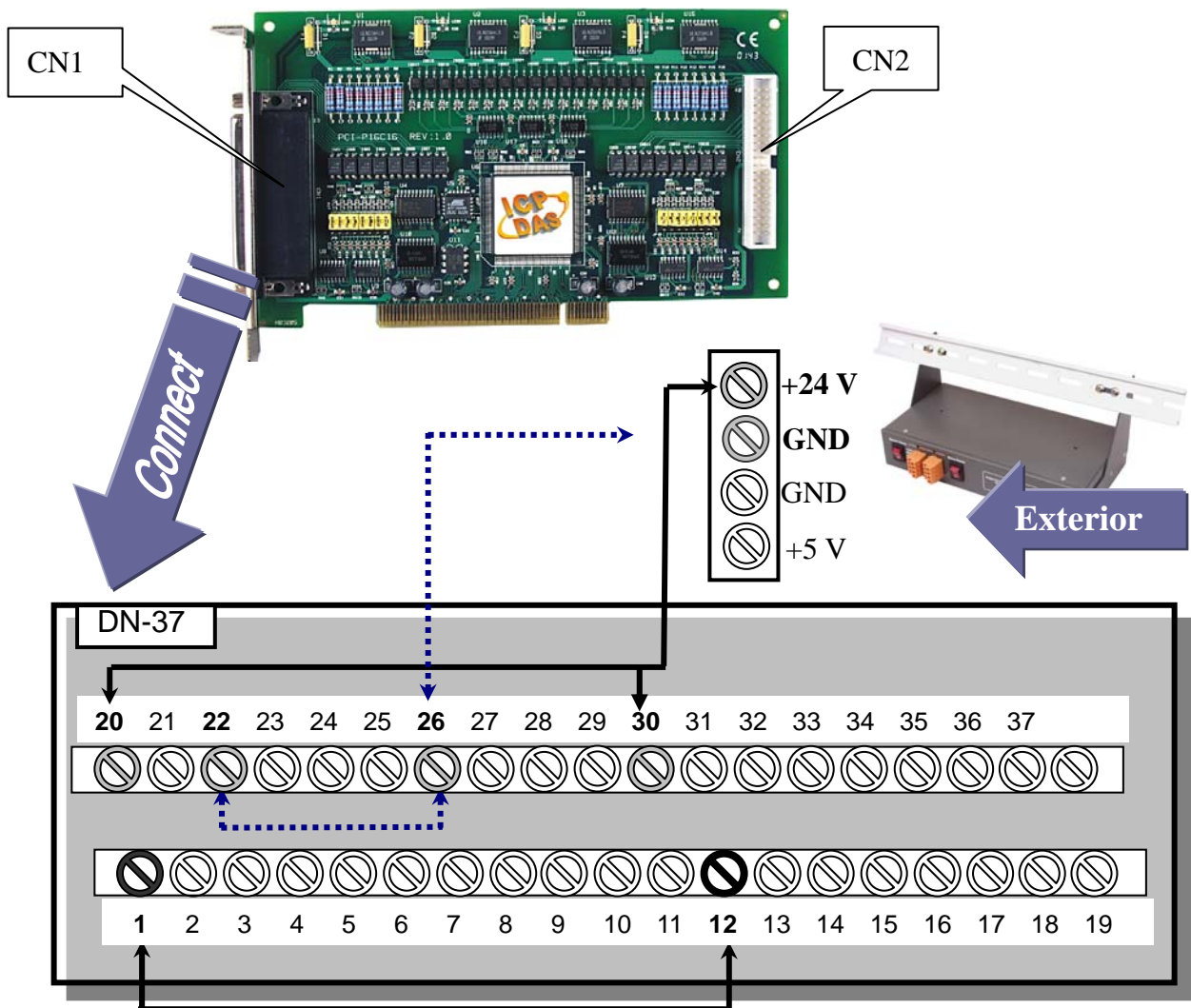
Pin Assignments



5

Self-Test

- I. Prepare items.
 - DN-37(Optional)
 - External Power Device ex.DP-665(Optional)
- II. Use DN-37 to connect the CN1.OUT 0 with CN1.DIA 0.
- III. CN1.GND1, CN1.GND2 connects to Exterior GND(-).
(pin1 connect to pin12; pin22,pin26 connect to GND(-)).
- IV. Use DP-665 +24 V connects to DN-37 CN1.Ext.Power1 and t DN-37 DIB 0. (+24 V connect to pin20, pin30).



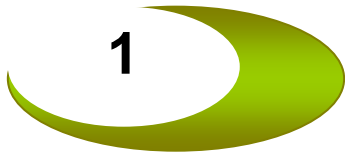
V. Run the DIO sample program.

Get the zipped file from:

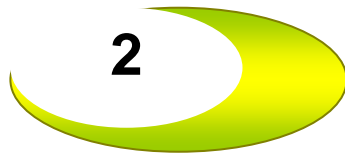
CD:\NAPDOS\PCI\PCI-P16R16\dll_ocx\Demo

VI. Check number of the PCI-P16C16, and test DIO function.

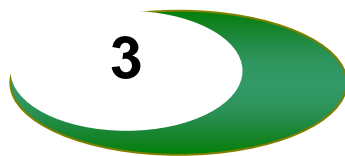
Please follow those steps:



The one PCI- P16C16 had successfully installed to PC.



Select the board number for the PCI- P16C16.It starts from 0.



Click this button to do DIO test.



Check the Bit 0(Checkbox) from Digital Output Set



Bit 0(light) of the Digital Input Status will change to Red light(High), PASS!!

1

2

3

4

5

Complete

6

Additional Information

✓ PCI- P16C16 Card Product page:

http://www.icpdas.com/products/DAQ/pc_based/pci_p16c16.htm

✓ DN-37(Optional) page:

http://www.icpdas.com/products/DAQ/screw_terminal/dn_37.htm

✓ DP-665(Optional) page:

http://www.icpdas.com/products/Accessories/power_supply/dp-665.htm

✓ Documents:

CD:\NAPDOS\PCI\PCI-P16R16\manual

<http://ftp.icpdas.com.tw/pub/cd/iocard/pci/napdos/pci/pci-p16r16/manual/>

✓ Software:

CD:\NAPDOS\PCI\PCI-P16R16

<http://www.icpdas.com/download/pci/p16r16/index.htm>

The ICP DAS Web Site

<http://www.icpdas.com>



- Technical support
- Supplies and ordering information
- Ways to enhance your device
- FAQ
- Application story

Contact Us

Service@icpdas.com

Copyright ©2008 by ICP DAS Co., Ltd. All right are reserved