



VXC CARD QUICK START GUIDE

for **VXC-112AU/112iAU**

Language	English
Version	V1.0
Update	Jan.2010

1

What's on your package?

1. One VXC 112AU/112iAU series card
2. One ICP DAS software CD
3. One Quick Start Guide (this document)



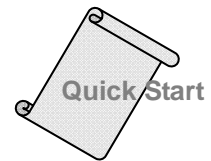
VXC-112AU



VXC-112iAU



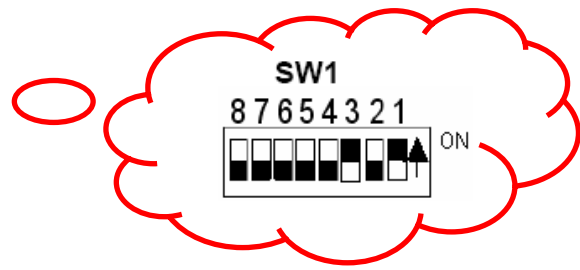
Software CD



2

COM Port Mapping

Please set SW1 dip-switch (COM Selector) to 0x05 (1 and 3 “ON”, others “OFF”). The setting forces the driver to install COM ports to COM5 and COM6.



SW1 setting table

S1 DIP Switch	8	7	6	5	4	3	2	1
Board ID=0x00 (Default) COM = Auto-defined	OFF	OFF	OFF	OFF	OFF	OFF	OFF	OFF
Board ID=0x03 COM = 3/4	OFF	OFF	OFF	OFF	OFF	OFF	ON	ON
Board ID=0x05 COM = 5/6	OFF	OFF	OFF	OFF	OFF	ON	OFF	ON
Board ID=0x07 COM = 7/8	OFF	OFF	OFF	OFF	OFF	ON	ON	ON
Board ID=0x09 COM = 9/10	OFF	OFF	OFF	OFF	ON	OFF	OFF	ON
Board ID=0x14 COM = 20/21	OFF	OFF	OFF	ON	OFF	ON	OFF	OFF
Board ID=0x1E COM = 30/31	OFF	OFF	OFF	ON	ON	ON	ON	OFF
Board ID=0x28 COM = 40/41	OFF	OFF	ON	OFF	ON	OFF	OFF	OFF
Board ID=0x32 COM = 50/51	OFF	OFF	ON	ON	OFF	OFF	ON	OFF
Board ID=0x3C COM = 60/61	OFF	OFF	ON	ON	ON	ON	OFF	OFF
Board ID=0x64 COM = 100/101	OFF	ON	ON	OFF	OFF	ON	OFF	OFF
Board ID=0x96 COM = 150/151	ON	OFF	OFF	ON	OFF	ON	ON	OFF
Board ID=0xC8 COM = 200/201	ON	ON	OFF	OFF	ON	OFF	OFF	OFF
.								
.								
.								
Board ID=0xFF COM = 255/256	ON	ON	ON	ON	ON	ON	ON	ON

3

Installing Windows Driver

1. Launch the Windows NT/2K/XP/2003/32-bit Vista and 32-bit Windows 7 driver. The setup program is located at:
 - CD: \Napdos\multiport\windows\VxCard2K_Vista32_Vxxxx (V20703 or later)
 - <http://ftp.icpdas.com/pub/cd/iocard/pci/napdos/multiport/windows/>
2. Click the “**N**ext>” button to start the installation.
3. Click the “**N**ext>” button to install the driver into the default folder.
4. Check the “**C**reate a **d**esktop icon” and click the “**N**ext>” button.
5. Select the “**N**o, I will restart the computer later” and click the “**F**inish” button.

For installing driver on other systems, please refer to:

- CD:\Napdos\multiport>manual\VXC_112U_142U_142iU_182iU_114U_144U_144iU_Manual.pdf
- <http://ftp.icpdas.com/pub/cd/iocard/pci/napdos/multiport/manual/>

4

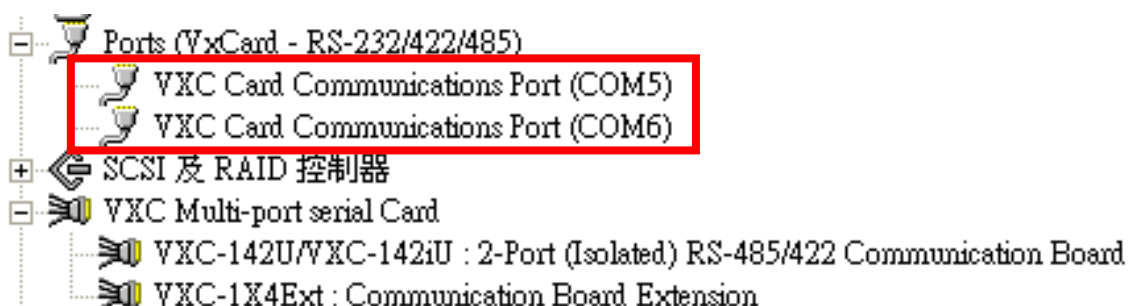
Installing Your Hardware

Follow these steps:

1. Shut down and power off your computer
2. Remove the cover from the computer
3. Select an unused PCI slot
4. Carefully insert your VXC card into the PCI slot
5. Replace the PC cover
6. Power on the computer

After powering-on the computer, please finish the Plug & Play steps according to the prompt message. Make sure the COM installed is correct as follows:

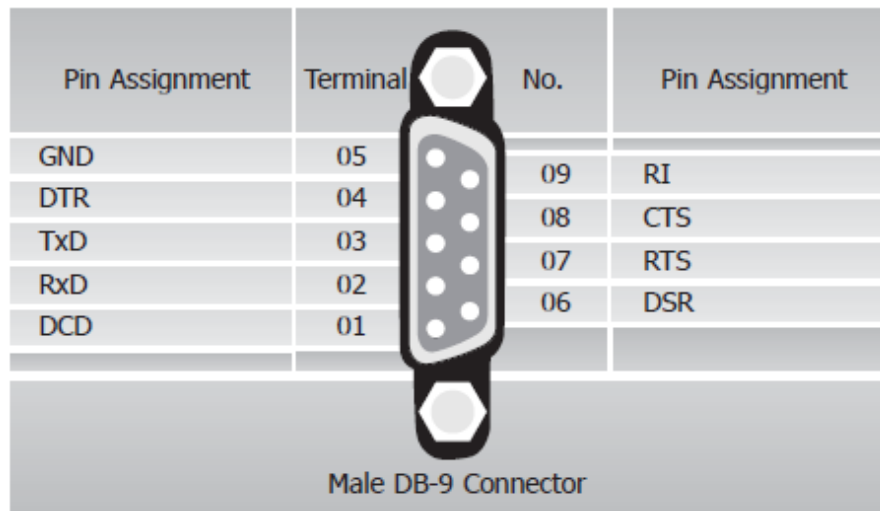
1. Select “**S**tart→**C**ontrol Panel” and then double click the “**s**ystem” icon.
2. Click the “**H**ardware” tab and then click the “**D**evice Manager” button.
3. Check the COM ports of VXC card which list correct or not.



5

Pin Assignment and Cable Wiring

- COM1、COM2 Pin Assignment



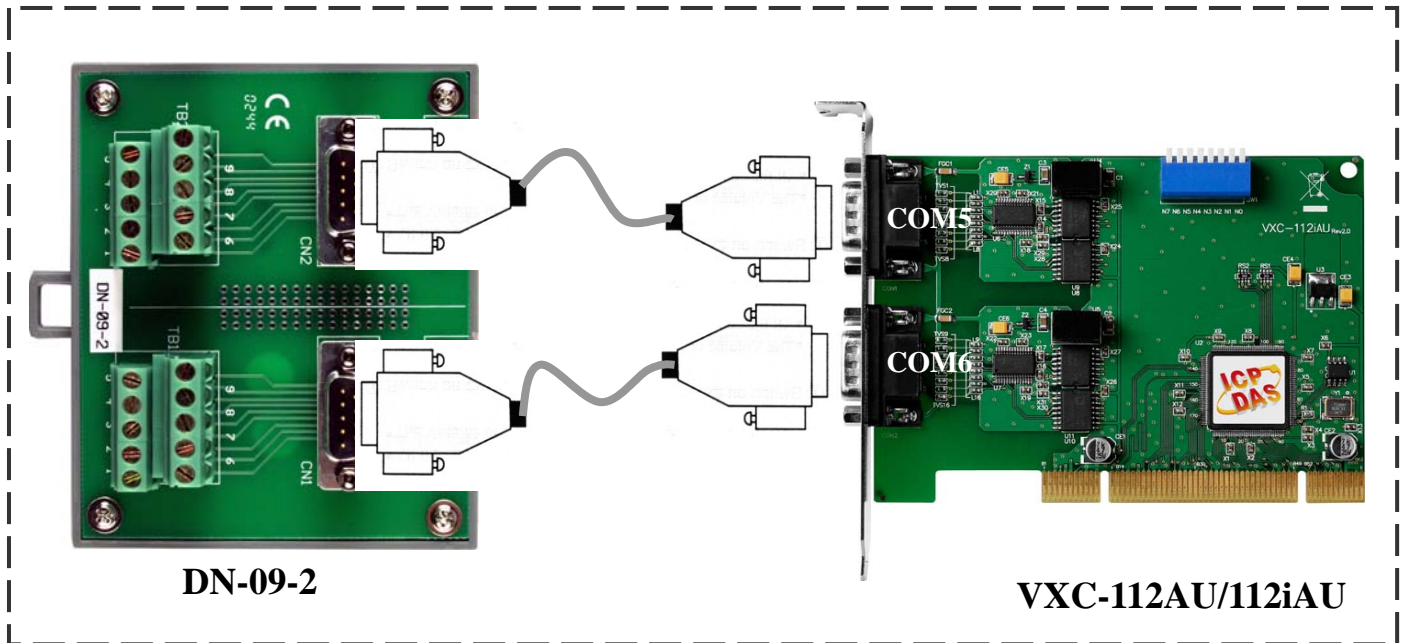
- RS-232 Cable Wiring

System1	Pin		Pin	System2
RxD	2	←	3	TxD
TxD	3	→	2	RxD
GND	5	↔	5	GND
DTR	4	→	6	DSR
	--		1	DCD
DCD	1	↔	--	
DSR	6	←	4	DTR
RTS	7	→	8	CTS
CTS	8	←	7	RTS
RI	9	←	9	RI

6

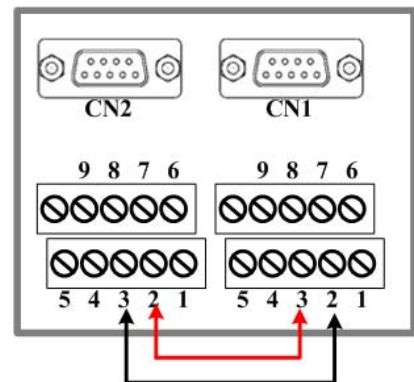
Self Test

1. Connect DN-09-2(optional) with VXC-112AU/112iAU



2. Wire Port-1 and Port-2 for VXC-112AU/112iAU (RS-232)

Pin Assignment	Pin No.		Pin No.	Pin Assignment
CN2 TxD	3	↔	2	CN1 RxD
CN2 RxD	2	↔	3	CN1 TxD



3. Execute the Test2COM.exe program.

Get the file from:

- CD:\Napdos\multiport\utility
- <http://ftp.icpdas.com/pub/cd/iocard/pci/napdos/multiport/utility/>

The screenshot shows the Test2COM.exe application window with several callouts: 1. A blue box with a circle '1' pointing to the Test2COM.exe icon on the desktop. 2. A blue box with a circle '2' pointing to the 'COM Ports' section where 'COM5' is selected for 'First' and 'COM6' for 'Second'. 3. A blue box with a circle '3' pointing to the 'Data Bits' section where 5, 6, 7, and 8 are checked. 4. A blue box with a circle '4' pointing to the 'Parity' section where 'None', 'Odd', and 'Even' are checked. 5. A blue box with a circle '5' pointing to the 'Stop Bits' section where 1 and 2 are checked. 6. A blue box with a circle '6' pointing to the 'Baud Rates' list where 9600, 115200, and 230400 are checked. 7. A blue box with a circle '7' pointing to the 'Start Test' button. The 'Test Result' window is open, displaying instructions: 'Please connect the 1st COM to 2nd COM. I will test the sending/receiving between these two COM ports.'

4. Test Success.

The screenshot shows the Test2COM.exe application window after a successful test. The 'Test Result' window displays the following text: 'Receiving data from COM6...', 'Sending data to COM5...OK', 'Check data OK! (109 ms)', 'Purging data of COM ports!', 'Receiving data from COM5...', 'Sending data to COM6...OK', 'Check data OK! (109 ms)', '==== Test OK on 115200, 8E2 =====', '*****', 'End test at 2008/9/5 下午 03:48:42', 'Total Test: 105', 'Success Test: 105', 'Failed Test: 0'. A blue box with a circle '8' points to the 'Failed Test: 0' line. The 'Errors' section shows 'Count: 1'.

7

Additional Information

- **VXC Card Product Page:**

http://www.icpdas.com/products/Industrial/multi_serial/multi_introductions.htm

- **Documentation:**

CD: \Napdos\multiport>manual\

<http://ftp.icpdas.com/pub/cd/iocard/pci/napdos/multiport/manual/>

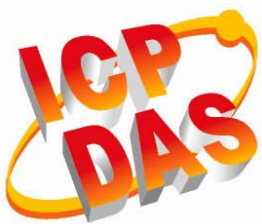
- **Software:**

CD: \Napdos\multiport\

<http://ftp.icpdas.com/pub/cd/iocard/pci/napdos/multiport/>

- **DN-09-2 (optional) Product Page:**

http://www.icpdas.com/products/DAQ/screw_terminal/dn_09_2.htm



- ◆ Technical support
- ◆ Supplies and ordering information
- ◆ Methods of enhancing your device
- ◆ FAQ
- ◆ Application examples

1. The ICP DAS Web Site
<http://www.icpdas.com/>
2. Contact Us
Service@icpdas.com

Copyright @2010 by ICP DAS Co., Ltd. All rights are reserved