



DAUGHTER BOARD USER'S GUIDE

for **DB-8025/DB-8125**

Language English
Version V1.0
Update Oct.2008

1

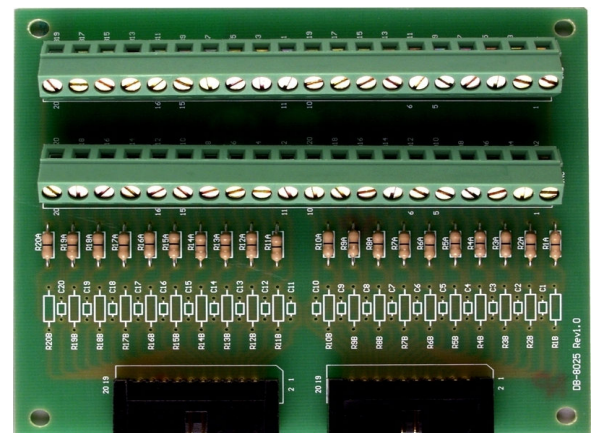
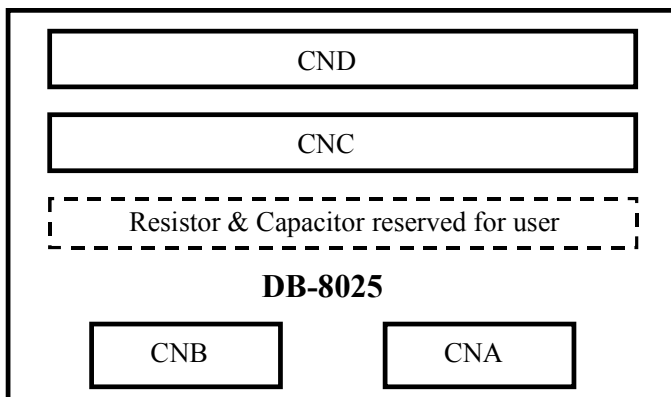
Package

- One DB-8025/DB-8125 Daughter board
- Two CA-2010 Cable/One CA-3710 Cable
- One User's Guide(this document)

2

Layout

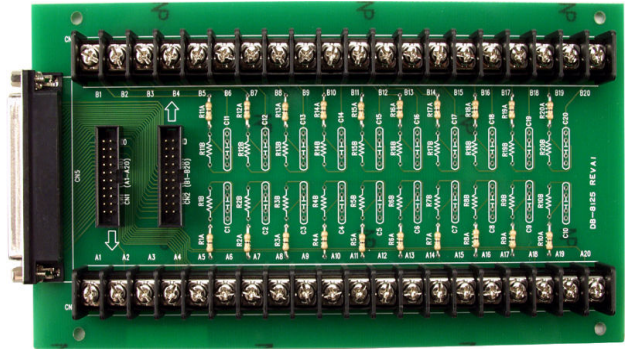
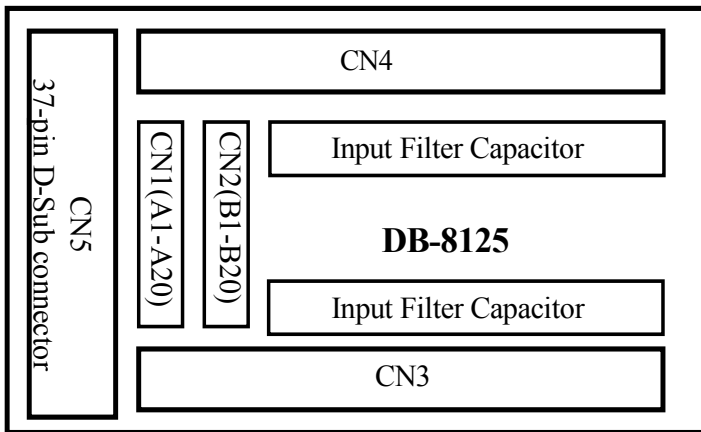
➤ DB-8025



Note

- (1)CNA 20-pin connector for A1 ~ A20
- (2)CNB 20-pin connector for B1 ~ B20

➤ DB-8125



Note

- (3)CN5 37-pin D-Sub connector for A1~A20 & B1~B20
- (4)CN1 20-pin connector for A1~A20
- (5)CN2 20-pin connector for B1~B20

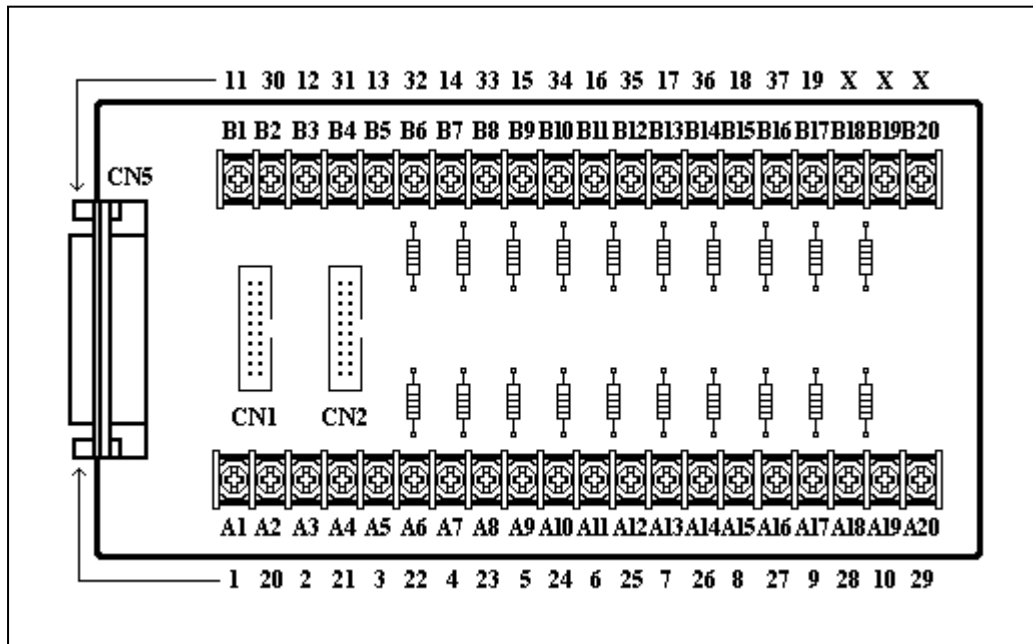
3 Pin Assignments

➤ DB-8025

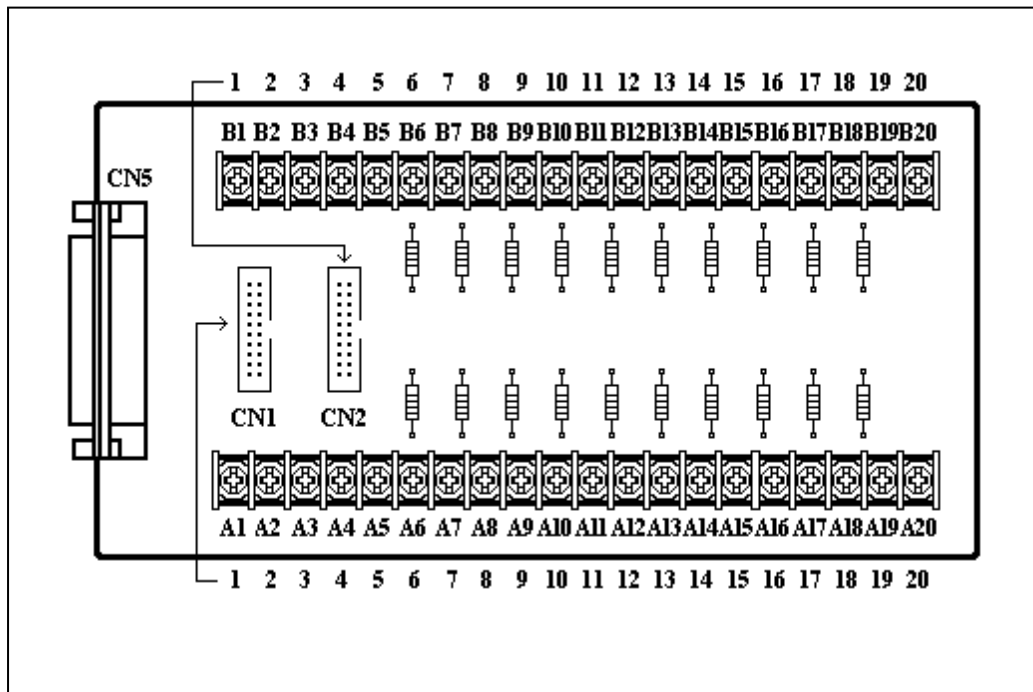
1	A1	1	B1
2	A2	2	B2
3	A3	3	B3
4	A4	4	B4
5	A5	5	B5
6	A6	6	B6
7	A7	7	B7
8	A8	8	B8
9	A9	9	B9
10	A10	10	B10
11	A11	11	B11
12	A12	12	B12
13	A13	13	B13
14	A14	14	B14
15	A15	15	B15
16	A16	16	B16
17	A17	17	B17
18	A18	18	B18
19	A19	19	B19
20	A20	20	B20

➤ DB-8125

37-pin D-Sub connector pin assignment



20-pin connector pin assignment



4

Additional Information

- ✓ DB-8025 Product Page:

http://www.icpdas.com/products/DAQ/screw_terminal/db_8025.htm

- ✓ DB-8125 Product Page:

http://www.icpdas.com/products/DAQ/screw_terminal/db_8125.htm

- ✓ Document:

CD:\NAPDOS\Daughter_Board

http://ftp.icpdas.com/pub/cd/iocard/pci/napdos/daughter_board/

The ICP DAS Web Site

<http://www.icpdas.com>



- Technical support
- Supplies and ordering information
- Ways to enhance your device
- FAQ
- Application story

Contact Us

Service@icpdas.com

Copyright ©2008 by ICP DAS Co., Ltd. All right are reserved



DAUGHTER BOARD USER'S GUIDE

for **DB-8025/DB-8125**

語言
版本
更新日期

繁體中文
V1.0
Oct.2008

1

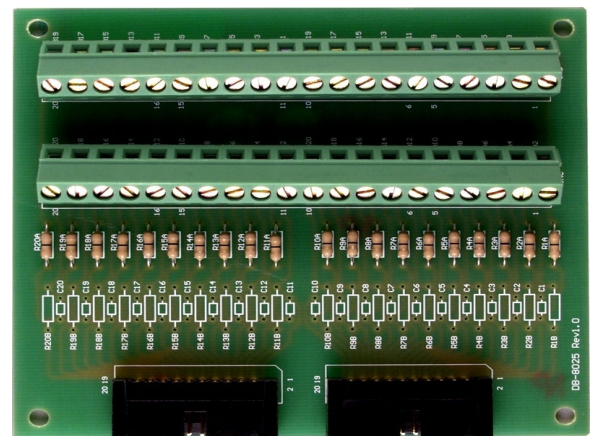
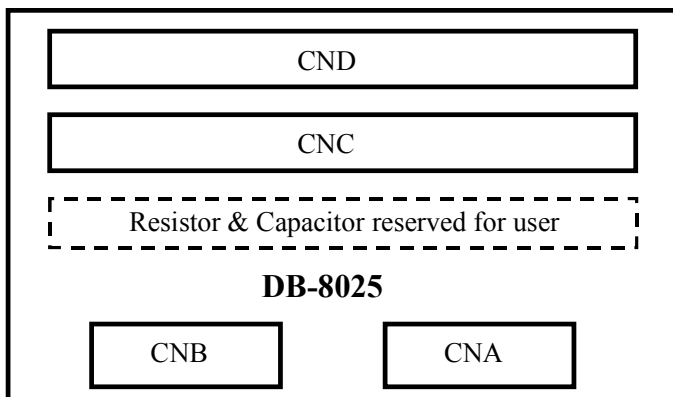
檢查配件

- 一張 **DB-8025/DB-8125** 端子板
- 二條 **CA-2010** 排線/一條 **CA-3710** 排線
- 一張使用者指南(本文件)

2

板卡配置圖

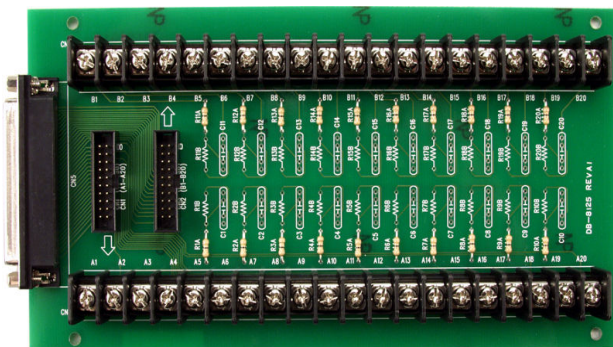
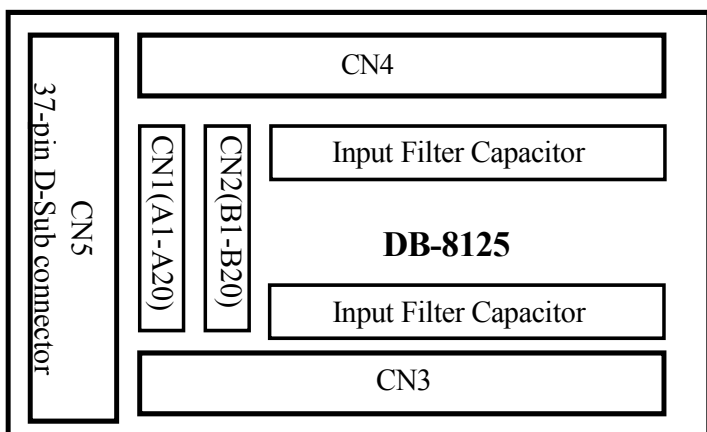
➤ DB-8025



Note

- (1) CNA 20 pin 接頭為 A1 ~ A20
- (2) CNB 20 pin 接頭為 B1 ~ B20

➤ DB-8125



Note

- (3)CN5 37-pin D-Sub 接頭為 A1~A20 & B1~B20
 (4)CN1 20-pin 接頭為 A1~A20
 (5)CN2 20-pin 接頭為 B1~B20

3

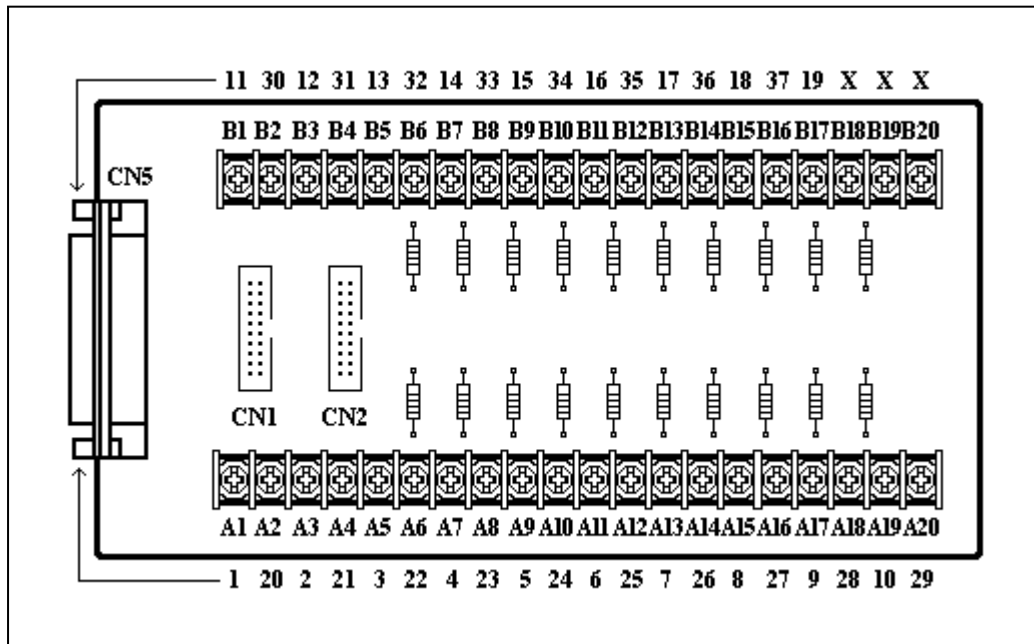
腳位定義

➤ DB-8025

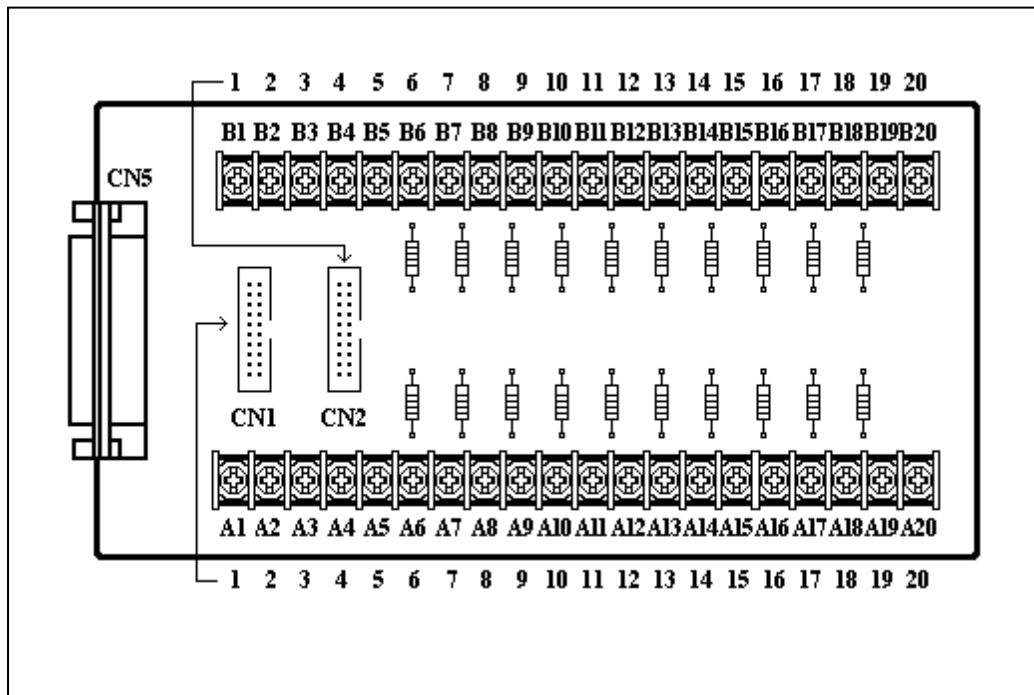
1	A1	1	B1
2	A2	2	B2
3	A3	3	B3
4	A4	4	B4
5	A5	5	B5
6	A6	6	B6
7	A7	7	B7
8	A8	8	B8
9	A9	9	B9
10	A10	10	B10
11	A11	11	B11
12	A12	12	B12
13	A13	13	B13
14	A14	14	B14
15	A15	15	B15
16	A16	16	B16
17	A17	17	B17
18	A18	18	B18
19	A19	19	B19
20	A20	20	B20

➤ DB-8125

37-Pin D-Sub 接頭腳位定義。



20-pin 接頭腳位定義。



4

參考資訊

- ✓ DB-8025 產品網頁:

http://www.icpdas.com/products/DAQ/screw_terminal/db_8025.htm

- ✓ DB-8125 產品網頁:

http://www.icpdas.com/products/DAQ/screw_terminal/db_8125.htm

- ✓ 相關文件位置:

CD:\NAPDOS\Daughter_Board

http://ftp.icpdas.com/pub/cd/iocard/pci/napdos/daughter_board/

泓格科技(ICP DAS)主網頁

<http://www.icpdas.com>



- 專業技術支援
- 代理商及訂購資訊
- 增強設備功能的相關資訊
- 常見問題
- 應用案例

聯絡方式

Service@icpdas.com

Copyright ©2008 by ICP DAS Co., Ltd. All right are reserved