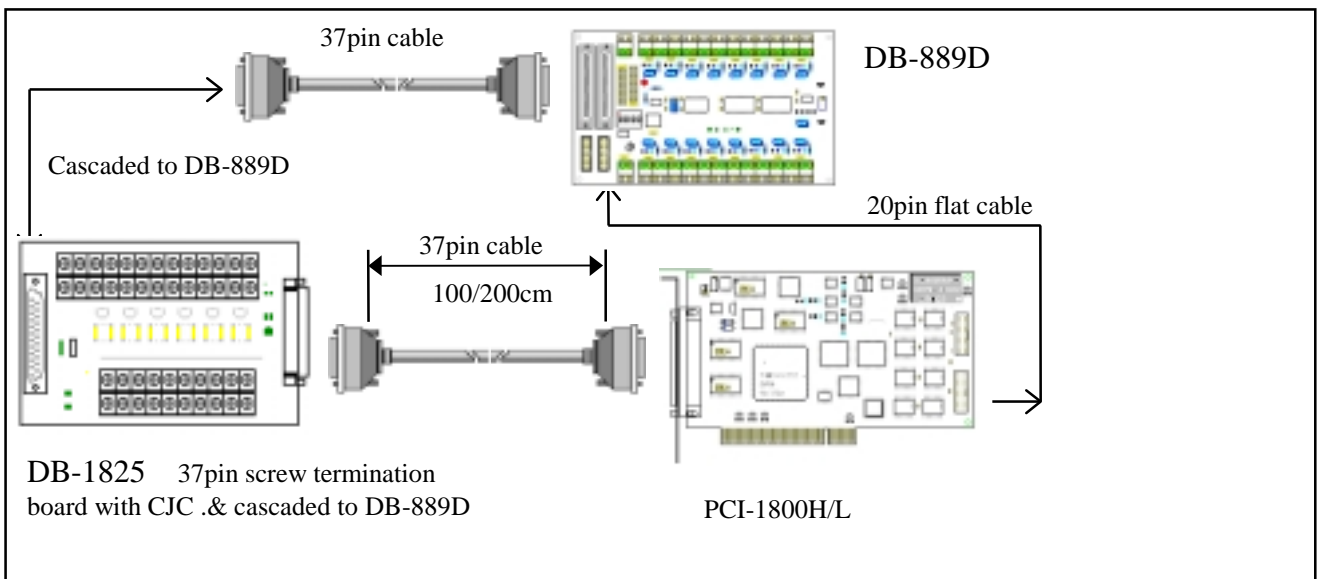
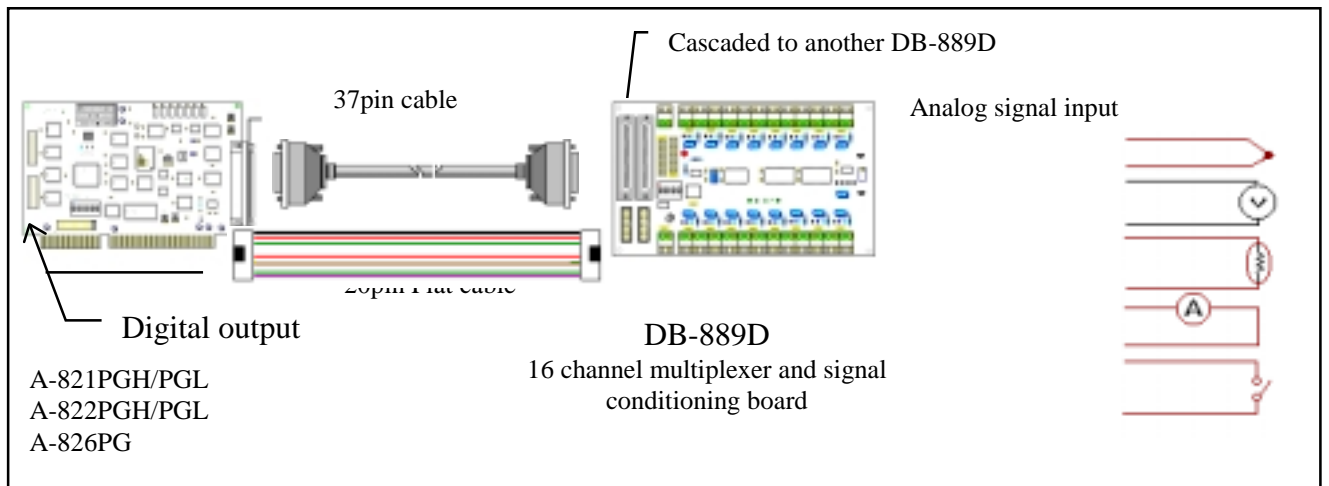
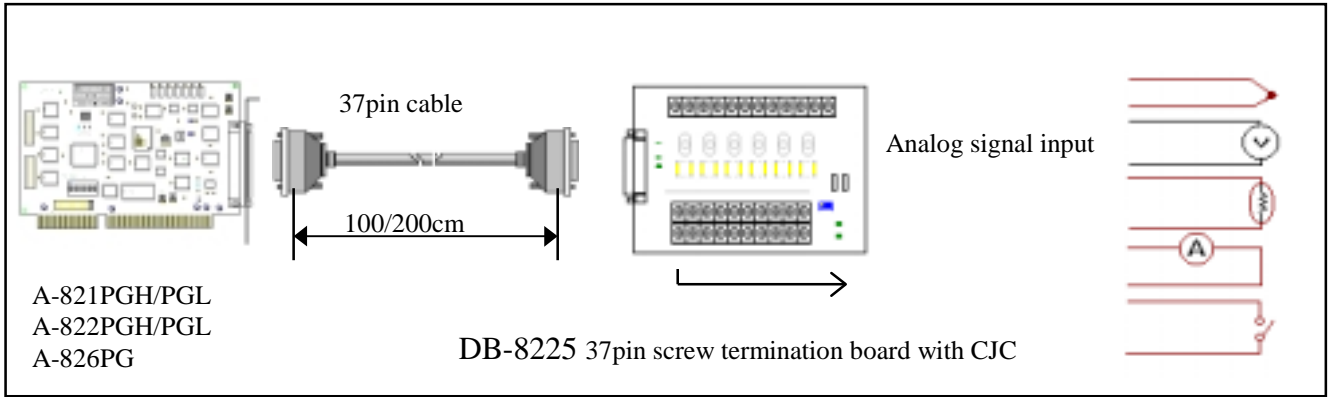
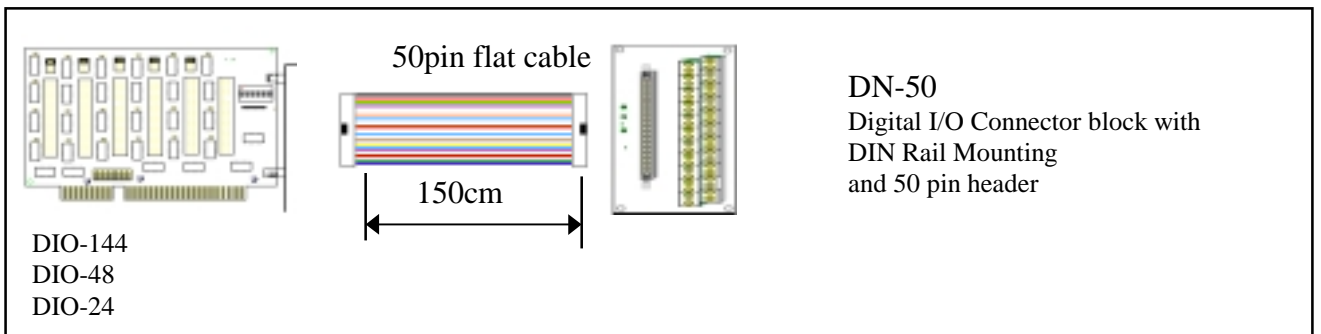
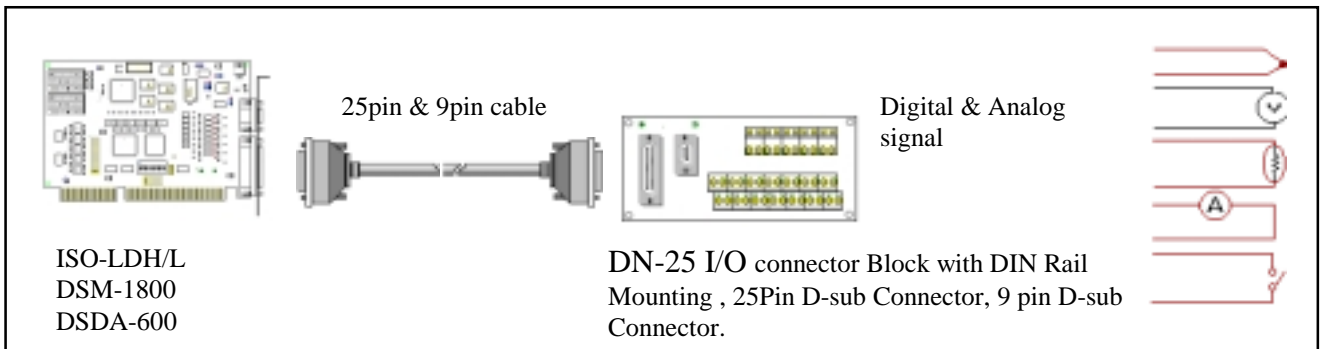
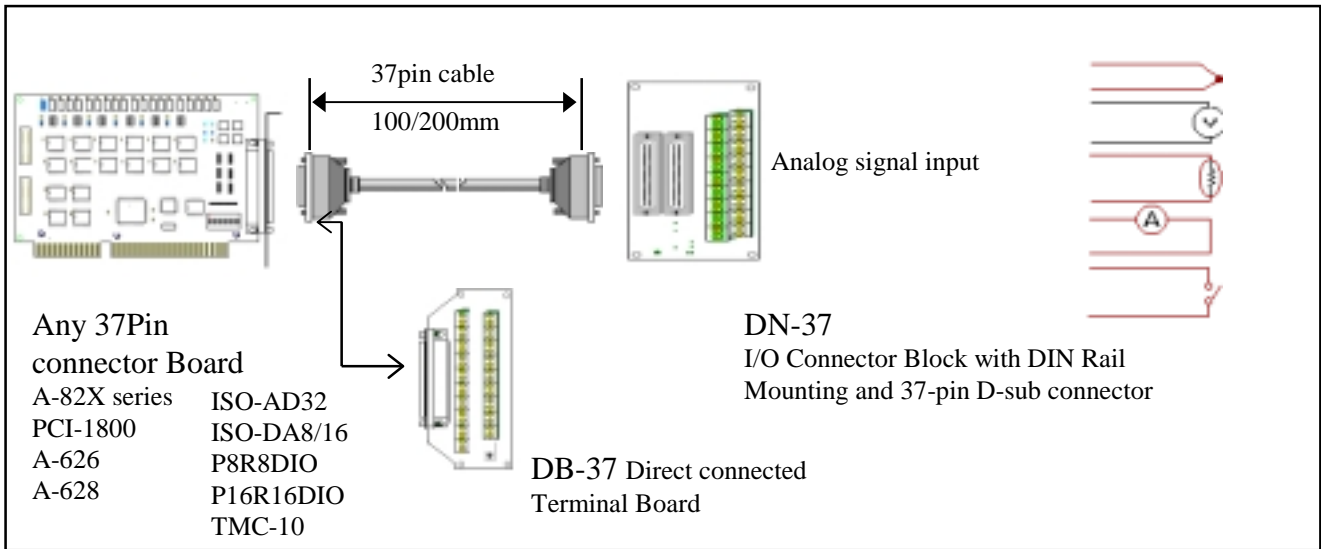


## Daughter Board Selection Guide

### Configuration A: Analog input / output channel wiring .

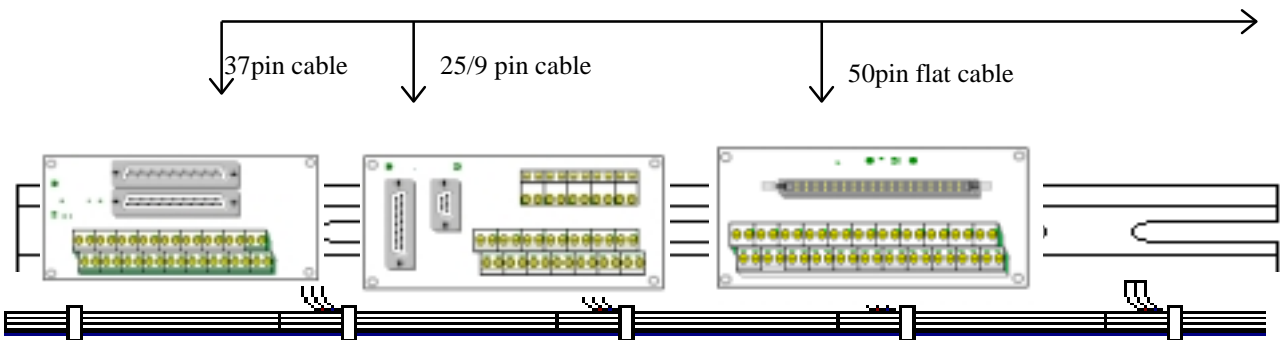


**Configuration B: Direct Connect & DIN Rail Mounting wiring**



**DIN Rail Mounting**

**PC Add-on card**



**Configuration C: Digital I/O Channel Wiring**

