

PIR-23x-WF Series Quick Start

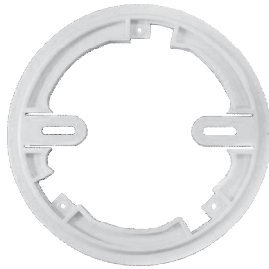
May 2019
Version 1.1.0

1

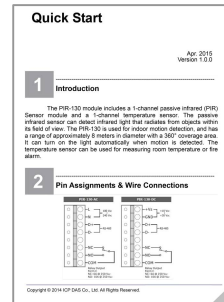
Package Contents



Module



Mounting Plate



Quick Start

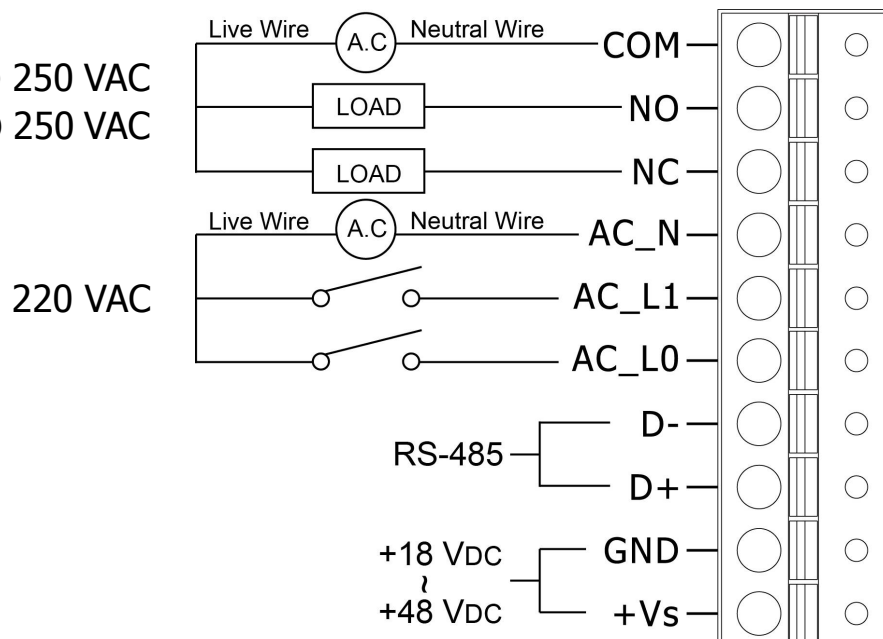


M4x12 Drywall
Screws x 2

2

Wire Connections

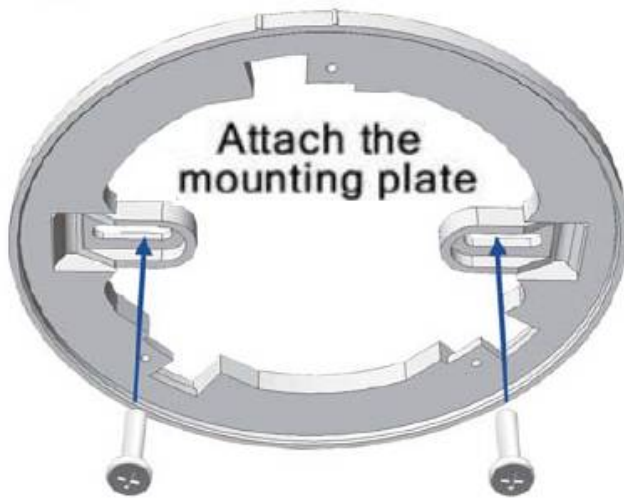
NO: 10 A @ 250 VAC
NC: 6 A @ 250 VAC



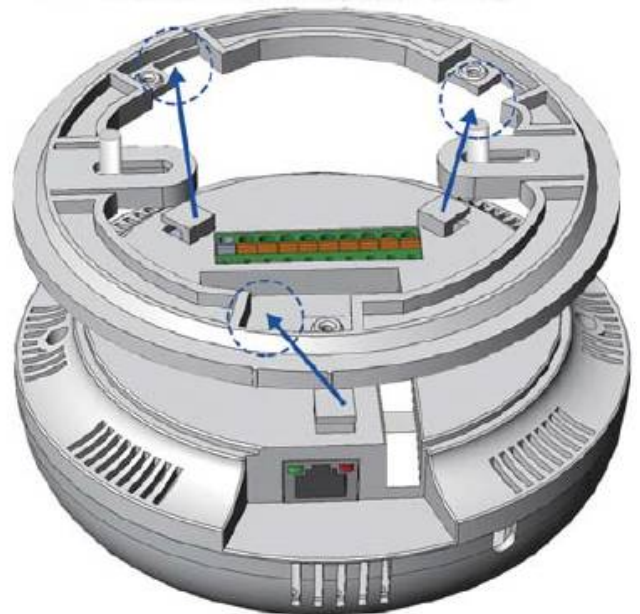
3

Installation

①



② Align locking guides



③ Turn the cover clockwise



④ Lock the cover in place



4

Technical Support

user manual for details.

- User Manual and Utility

<http://ftp.icpdas.com/pub/cd/IIoT/PIR-200/document/UserManual>

<http://ftp.icpdas.com/pub/cd/IIoT/utility/>

- Product Website

<http://www.icpdas.com/root/product/solutions/remoteio/rs-485/sensorseries/sensorseriesselection.html>

- E-mail

service@icpdas.com

5

Factory Default Settings

IP : 192.168.255.1

Gateway : 192.168.0.1

Mask : 255.255.0.0

6

Powering-on the PIR-23x-WF Series logger

The factory default settings for Wi-Fi communication of the PIR-23x-WF Series are as follows.

- Mode: **AP**
- Wireless Security: WPA/WPA2, "00000000"
- DHCP Server (AP Mode): DHCP Server on, start IP:
192.168.255.2
- Wi-Fi Channel (AP Mode): 11
- IP Address: 192.168.255.1
- Gateway Address: 192.168.255.254
- Subnet Mask: 255.255.0.0
- SSID: PIR-230-WF (PIR-231-WF)
- Modbus TCP Port: 502

The Wi-Fi IIOT Utility is provided to configure and test the PIR-23x-WF Series module through the Wi-Fi interface. Please refer to chapter 4 of the user manual for details. You can also use a browser to configure and test the PIR-23x-WF Series module through the Ethernet interface. Please refer to chapter 3 of the of the user manual for details.