



## iCAM-ZMR8422X

Auto Focus IR Bullet IP Camera  
2MP, IP67



### Features

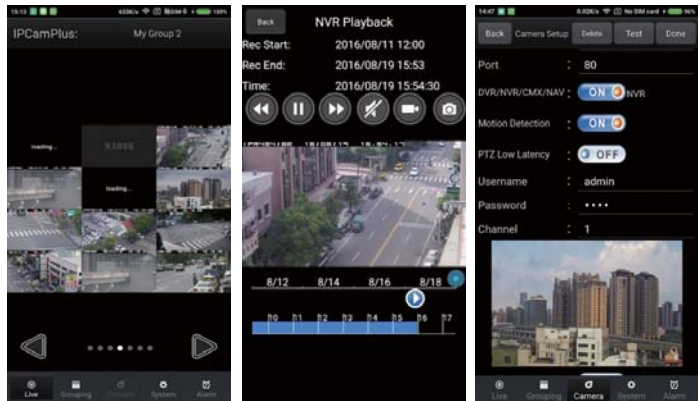
- Full HD 2 megapixel CMOS image sensor
- 1080P True H.264 AVC High Profile video compression
- H.264 and Motion JPEG multi-profile video streaming
- Auto focus with zoom / focus motorized lens
- Smart H.264 supported
- 3D noise reduction (MCTF)
- 2D WDR function
- HDR function up to 100dB
- Digital PTZ supported
- IVS supported
- Tampering / Motion detection alarm function
- High efficiency IR LED, radiant distance up to 30m
- Day & Night (IR cut removable)
- Cable managed housing and bracket
- ONVIF Profile S supported
- IP67 rain and dust resistant

### Introduction

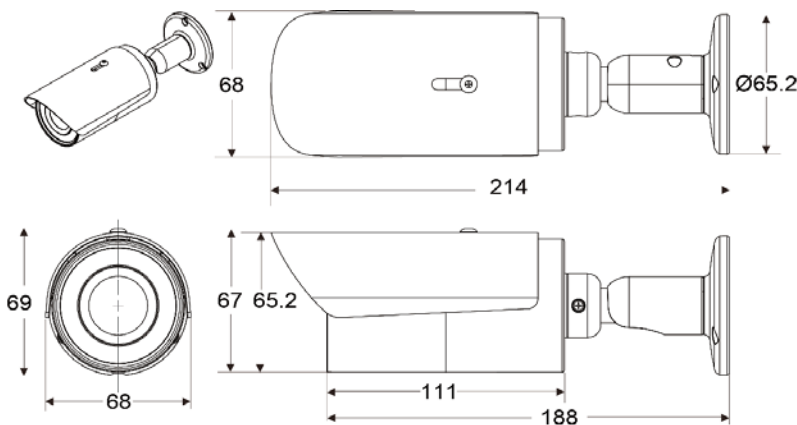
**iCAM-ZMR8422X** is a 2MP auto-focused vandal resistant bullet IR IP camera designed into a range of environments such as retail, home, office, residential premises and hotel security. It features a full HD 2.0 megapixel CMOS image sensor. The camera has built-in IR-cut filter which allows clearer images at day and night operations even in the low lux condition. The high efficiency IR LED radiant distance can extend up to 30m. Its auto focus feature allows users to automatically focus the camera from a distant location. With motorized lens, all you need to do with zoom/focus adjustments is simply a click on browsers. Supported with privacy mask, 3D noise reduction, 2D WDR function, and HDR function up to 100dB, it ensures to deliver a clear and detailed image to the users.

### Android/iOS Mobile APP: IPCamPlus

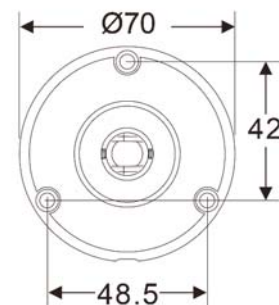
provide smart phone APP for Android and iOS platform. Apps allow you to catch the firsthand notifications and to take over all event situations in real-time. Furthermore, using the App can also allow you to reward the recorded video remotely. While the alarm is triggered, App will send a notification message to the user immediately.



### Dimensions: 68(W) × 69(H) × 214(D) mm



### Diagram of mounting holes: (unit in mm)



## ■ Specifications

Model	iCAM-ZMR8422X
<b>Video Performance</b>	
Min. Illumination	Color : 0.02 Lux at F1.6 ; B/W : 0.005 Lux at F1.6 ; 0 Lux with IR LED ON
<b>Lens / Night vision (infrared LED)</b>	
Focal Length	2.8 – 8 mm (zoom / focus motorized)
Iris	F1.6
Angle of View	102.3° (W) – 51.6° (T) (H) 51.3° (W) – 24.9° (T) (V) 128.2° (W) – 57.3° (T) (D)
Peak Wavelength	850nm
Beam Spread	60°
Radiant Distance	30M
<b>Sensor</b>	
Pick Up Element	1/2.8" CMOS image sensor
Effective Pixels	1945 (H) × 1097 (V) = 2,133,665 (pixels)
<b>Video Streaming</b>	
Video Compression	H.264 main and high profile, Motion JPEG
Video Streaming	RTP/HTTP, RTP/TCP, RTP/UDP, Multicast
Number of streams	4
Video Bitrate	128Kbps – 12Mbps; Frame rate and bit rate controllable on-the-fly; VBR / CBR / GOP supported, Fixed bitrate, Smart H.264
<b>Network Security</b>	
Encryption	Base64 HTTP encryption, HTTPS encryption
Authentication	Digest HTTP authentication, RTSP authentication
Address Filter	IP address filter, MAC address filter
Access	Multiple user access levels with password protection
Users	10 simultaneous users
Multi IP address	Yes
<b>Video Resolutions (H x V)</b>	
Resolution	2MP(1920 × 1080), 1.3MP(1280 × 960), 1MP(1280 × 720), D1(720 × 480, 720 × 576), VGA(640 × 480), CIF(352 × 240)
Maximum Frame Rate	H.264 / MJPEG : up to 30 fps @ 1920 × 1080
<b>Network</b>	
Ethernet	10/100 Mbps Base-T, RJ-45
ePTZ & Digital Zoom	Yes, ROI (Region of Interest)
OSD	Text overlay for date, time, and camera name
CPU, Memory	Embedded SoC ARM Cortex-A9, 600MHz, 256MB DDR3, 256MB flash memory
OS	Embedded Linux 3.10
Network Protocols	IPv4, IPv6, TCP, UDP, HTTP, HTTPS, SMTP, MQTT, QoS, SNMP, SNMP Trap, NTP, DDNS, UPnP, FTP, ARP, DHCP, PPPoE, DNS, RTSP, RTCP, Telnet, ICMP, IGMP, ONVIF Profile S, SDDP, Bonjour
User accounts	10 user accounts available
Video Display	Universal ActiveX & HTML5

Model	iCAM-ZMR8422X
<b>Video Functions</b>	
Scanning System	Progressive Scan
Infrared Cut Filter	Auto / Day (Color) / Night (Mono) / Schedule
White Balance	Auto / Tungsten / Indoor / Fluorescents1 / Fluorescents2 / Outdoor1 / Custom
Electrical Shutter	1/30(1/25)s – 1/30000s
Sense Up	Off / 1 Frame / 2 Frames
Sense Up+	Yes
Auto Gain Control	66 dB Variable Gain
S/N Ratio	More than 50dB (AGC off)
3D Noise Reduction	Off / 1 – 32 Selectable
2D WDR	Off / Auto / x2 / x3 / x4 (by normal mode)
High Dynamic Range	Up to 100dB (by HDR mode, 2 shutter line interleave)
Privacy Masking	Off / On (4 zones)
Image Effects	Brightness, Contrast, Hue, Saturation, Sharpness, Mirror, Flip, Lens Distortion Correction
Auto Focus	One Push
<b>Integration</b>	
Mobile Application	Integrated to mobile app (IPCamPlus), iPhone, iPad, Android support
Video Management	ONVIF Profile S, Navigator Enterprise 2.0, Third party VMS through HTTP API
SD Card Recording	Support Micro SD/SDHC/SDXC card for circular recording (card is not included)
Maintenance	Firmware update via HTTP and IP Scan; Firmware available at web site
IVS Basic	Motion Detection, Tampering Detection, Advanced Motion Detection, Tripwire, Traffic Light Detection, Object Counting
Event Triggers Event actions	Motion / Tamper / Network lost detection FTP / SMTP / HTTP post / SD card / SAMBA / SMTP Trap
Languages	English, Traditional Chinese, Simplified Chinese, Spanish, Italian, Turkish, Russian, Korean, French, Arabic, Hungarian, Japanese
<b>Normal</b>	
Power Supply	DC12V ±10% / PoE (IEEE 802.3af compliant)
Consumption	DC12V, 7.5W / PoE, 8.6W
Dimension	68(W) × 69(H) × 214(D) mm
Weight	515g
Window	Ø58 Heat Resistant Glass
Certifications	CE, FCC(EMI CLASS B)
IP Rating Vandal Resistant	IP67
Temperature	Starting: -10°C – +50°C (14°F – 122°F) Operating: -40°C – +50°C (-40°F – 122°F) Storage : -25°C – +60°C (-13°F – 140°F)
Humidity	0% – 90% RH
<b>PC Requirements</b>	
CPU	Intel® Core™ i3 or higher grade
OS	Windows 7 or above
RAM	4GB or above, Dedicated Graphics Card
Web browser	Microsoft® Internet Explorer® 9 or above

## ■ Ordering Information

<b>iCAM-ZMR8422X</b>	Auto Focus IR Bullet IP Camera, with 2MP and IP67 Resistant
----------------------	---