

iDaSer-9000

Quick Start

Oct 2017, Version 1.0.0

Congratulations!

Thanks for purchasing the iDaSer-9000 module - the data management server. This Quick Start Guide will provide related information which needed to get start with the iDaSer-9000 module. Please also consult the user manual for detailed information on the setup and usage of the iDaSer-9000 module.

What's In the Box!

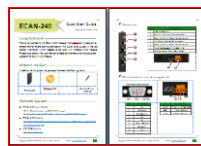
In addition to this guide, the package includes the following items:



iDaSer-9000



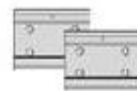
Fieldbus
CD



Quick Start



Screw
Drive



44 MM DIN-Rail
Clip*2

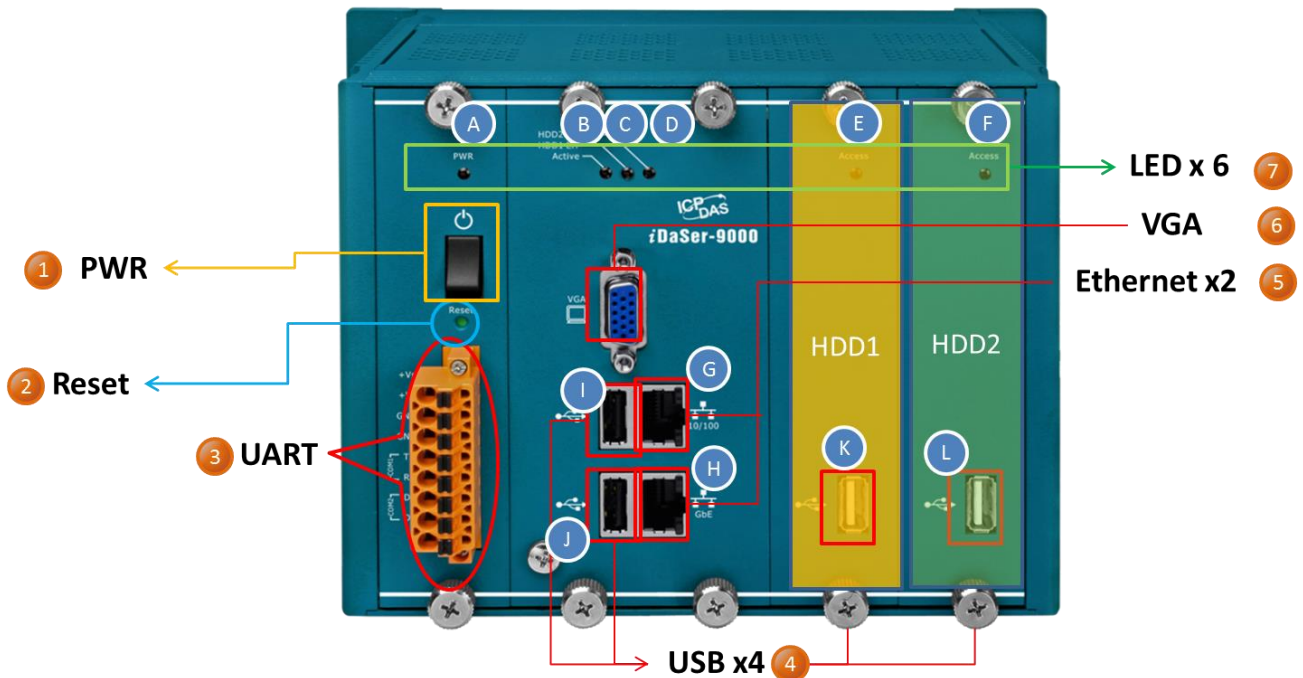


M3x6L
Screw * 8

Technical Support

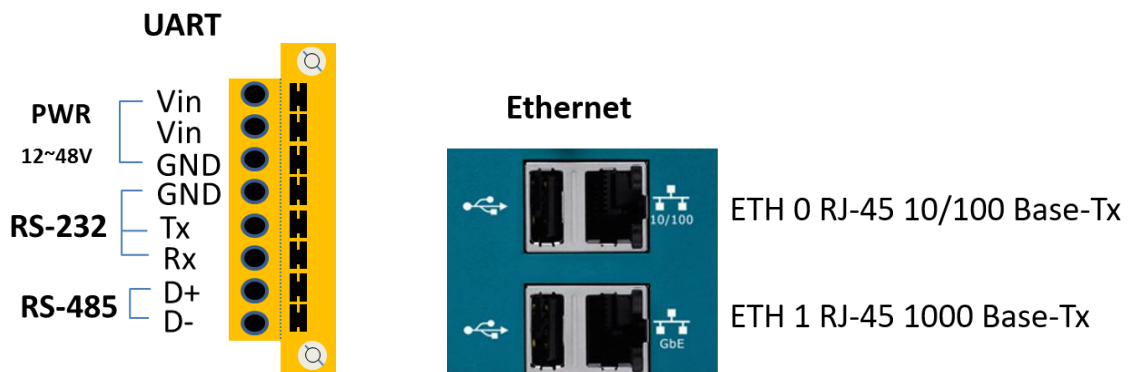
- **iDaSer-9000 User Manual**
<ftp://ftp.icpdas.com.tw/pub/cd/idaser/9000/manual/>
- **iDaSer-9000 Website**
http://www.icpdas.com/root/product/solutions/industrial_ iot/idaser/idaser-9000.html
- **ICP DAS Website**
<http://www.icpdas.com/>

Appearance



NO.	Name	Description
1	PWR	Turn ON / OFF.
2	Reset	Keep pressing for 3 seconds, and the network setting will be reset as default.(Reboot after this action)
3	UART	The interfaces of RS-232 and RS-485(Reserved)
4	USB	On purpose to connect USB or keyboard.
5	Ethernet	Two network cards for internal and external network.
6	VGA	Connection to monitor.
7	LED	Display the status of devices.

Wire connections and pin assignments



LED Indicator

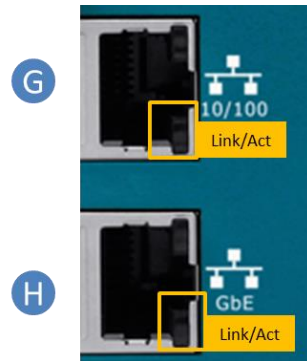
The iDaser-9000 module provides six LED indicators. The Following is an overview of the purpose and function of each LED indicator together with a description.



NO.	LED name.	LED state	LED Description
A	PWR (G)	ON	The power of the module is ON.
B	Active (G)	Flashing	The system is working.
		OFF	The system is OFF.
C	HDD1 Err (R)	ON	HDD1 error.
		OFF	HDD1 is normal.
D	HDD2 Err (R)	ON	HDD2 error.
		OFF	HDD2 is normal.
E	Access (G)	ON	HDD1 is active.
		OFF	HDD1 disconnected.
F	Access (G)	ON	HDD2 is active.
		OFF	HDD2 disconnected.

Ethernet

The Ethernet status indicator on iDaSer-9000 is part of the built-in RJ-45 connector, such as shown in the figure below.



No.	LED Name	LED Status	LED Description
G	10/100M	ON	Normal operation.
		OFF	Ethernet lost connection.
	Link/Act	Flashing	System is handling data.
H	GbE	ON	Normal operation.
		OFF	Ethernet lost connection.
	Link/Act	Flashing	System is handling data.

Web Configuration

The configuration for the module parameters on the iDaSer-9000 module can be performed via a standard web browser using the embedded web configuration function. The user can configure the services via connecting the IP address of the iDaSer-9000 module on web browser.

The default IP addresses of the iDaSer-9000 Module are **192.168.255.1** and **10.0.8.1**. (Username:**admin**;Password:**icpdas888**)

About the more detail information for the iDaSer-9000 module, please refer to the user's manual.