



ECAT-2057-32 Quick Start

v1.1, Sep. 2019

1 Shipping Package

This shipping package contains the following items

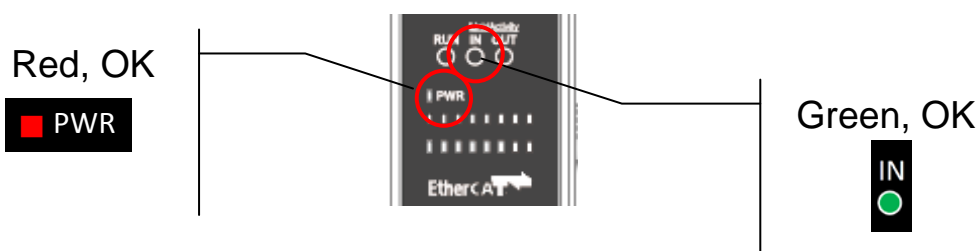
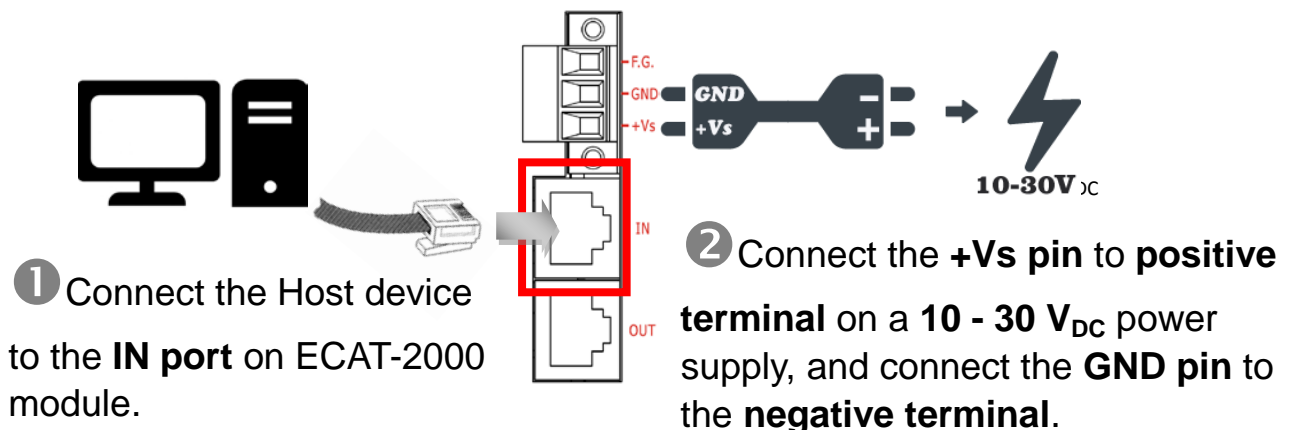
1 x ECAT-2000 module

1 x Quick Start (This Document)



2 Connecting the Power and Host device

Switch on module and connect it to an EtherCAT network



3 Search Modules



ESI file

The latest **ESI file (ICPDAS ECAT-2000.xml)** can be downloaded from ICP DAS web site at

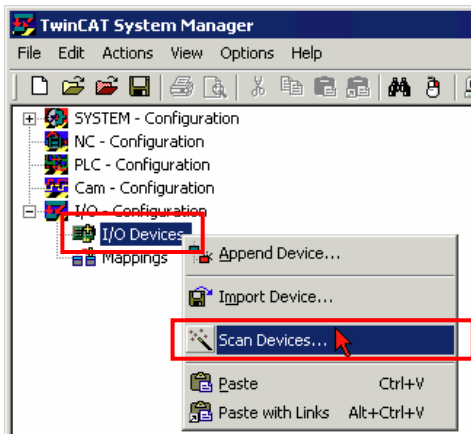
 http://ftp.icpdas.com/pub/cd/fieldbus_cd/ethercat/slave/ecat-2000/software/

Install the ESI file

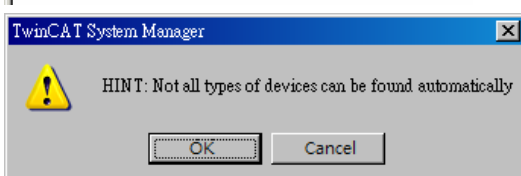
Copy the “**ICPDAS ECAT-2000.xml**” file to the Master Tools installation folder, as indicated in the table below.

Software	Default Path
Beckhoff EtherCAT Configuration	C:\EtherCAT Configurator\EtherCAT
Beckhoff TwinCAT 3.X	C:\TwinCAT\3.x\Config\Io\EtherCAT
Beckhoff TwinCAT 2.X	C:\TwinCAT\Io\EtherCAT

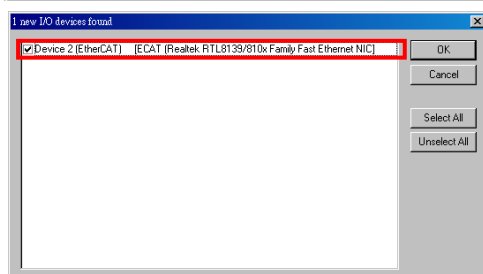
Run the EtherCAT Master software (Beckhoff TwinCAT 2.X)



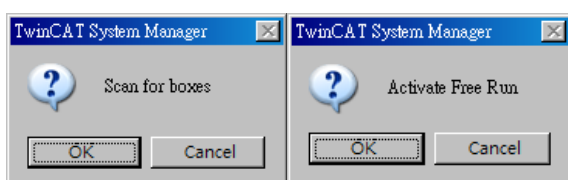
Switch on power
Execute the TwinCAT System Manager(Config mode)
I/O Devices-> Right click-> Scan Devices...



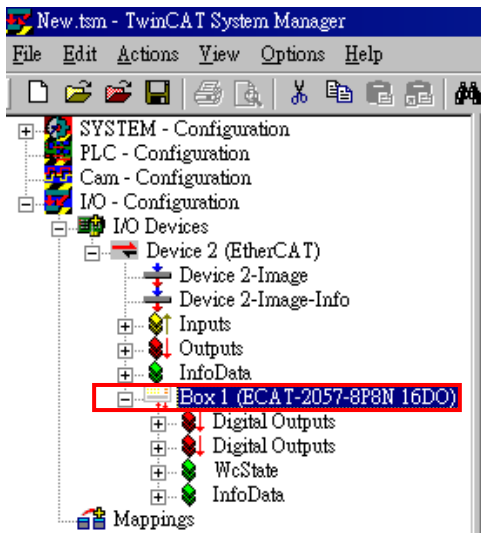
Click **OK**



Choose the **correct network device** which is connected to ECAT-2000



Click **Yes** to start scanning and click **Yes** to activate the **free run mode** for TwinCAT system manager

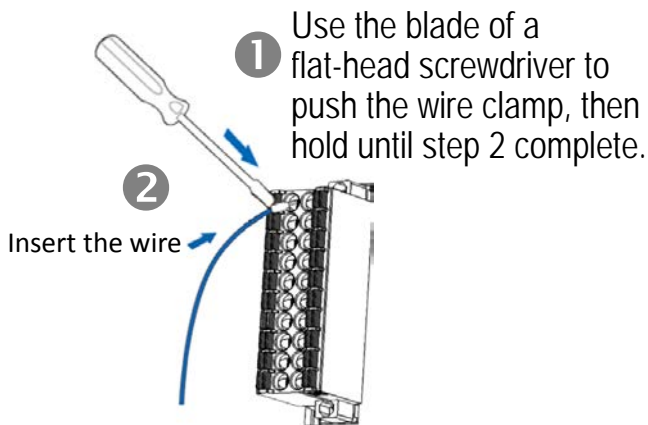


ECAT-2000 is now shown in the TwinCAT system Manager

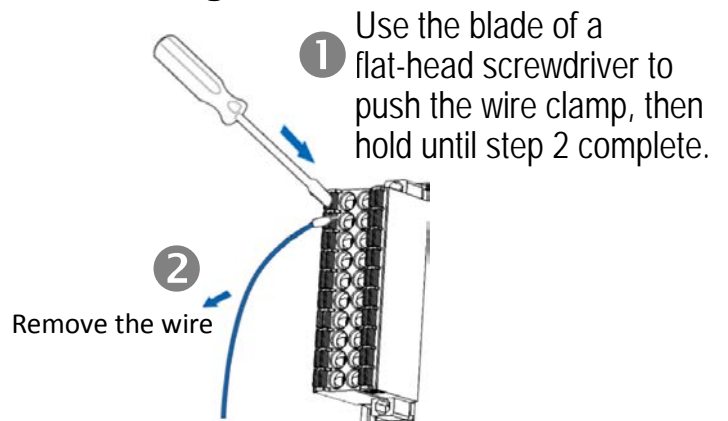
4 Wiring to the connector

Wiring Tip

Connection the wire



Removing the wire



Wire Diagrams

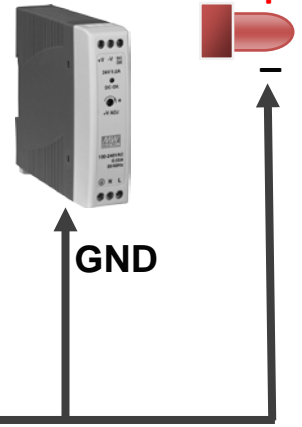
Output Type	Source	
	ON State Readback as 1	OFF State Readback as 0
Drive Relay		
Resistance		

Wiring the DO

Terminal No.	Pin Assignment	Pin Assignment	Terminal No.
Ext.PWR	1	19	Ext.PWR
DO16	2	20	DO0
DO17	3	21	DO1
DO18	4	22	DO2
DO19	5	23	DO3
DO20	6	24	DO4
DO21	7	25	DO5
DO22	8	26	DO6
DO23	9	27	DO7
DO24	10	28	DO8
DO25	11	29	DO9
DO26	12	30	DO10
DO27	13	31	DO11
DO28	14	32	DO12
DO29	15	33	DO13
DO30	16	34	DO14
DO31	17	35	DO15
Ext.GND	18	36	Ext.GND

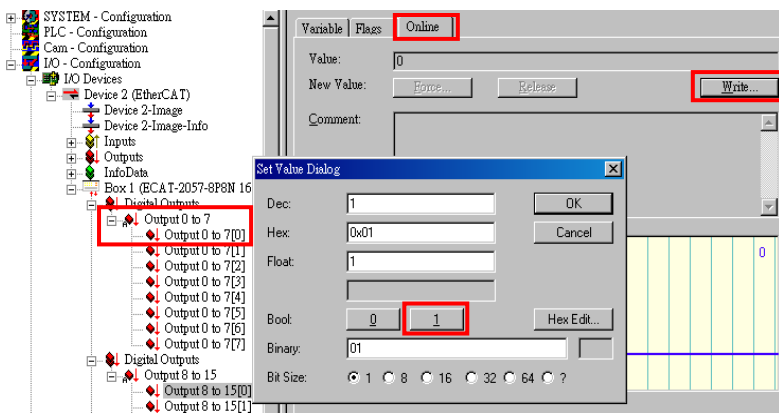
2 Connect +24V external power supply to the EXT.PWR(pin19)

1 Connect the DO0(Pin20) to the LED(+)

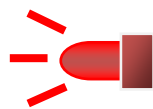


3 Connect the GND on external power supply to the EXT.GND(Pin36) and LED(-)

Verifying the DO functionality



Click **Output 0 to 7** and click **Output 0 to 7[0]** in the left-hand window.
 Click **online** in the right-hand window.
 Click **Write**.
 Click **1 (Configure DO0 to Logic1)**.



LED is lighting.

Related Information

Product Page:

http://www.icpdas.com/root/product/solutions/industrial_communication/fieldbus/ethercat/io_module/ecat-2057-32.html

Documentation:

ftp://ftp.icpdas.com/pub/cd/fieldbus_cd/ethercat/slave/ecat-2000/

ESI file:

http://ftp.icpdas.com/pub/cd/fieldbus_cd/ethercat/slave/ecat-2000/software/

MDR-20-24 (Optional) Product Page:

http://www.icpdas.com/products/Accessories/power_supply/power_list.htm