

Quick Start for ECAT-2050

English / Nov.2016/ Ver 1.0

1 Shipping Package

This shipping package contains the following items

1 x ECAT-2000 module

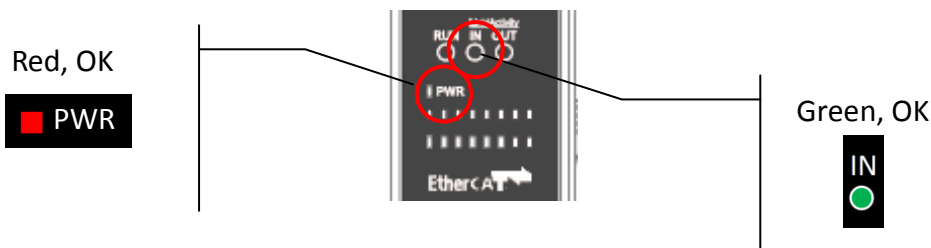
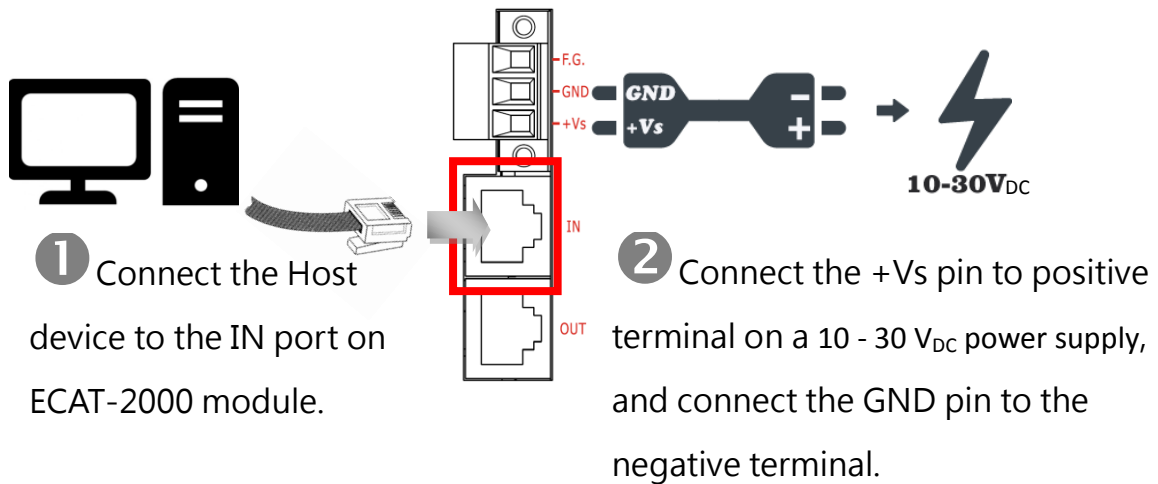


1 x Quick Start Guide (This Document)



2 Connecting the Power and Host device

Switch on module and connect it to an EtherCAT network



3 Search Modules



ESI file

The latest ESI file (ICPDAS ECAT-2000.xml) can be downloaded from ICP DAS website at

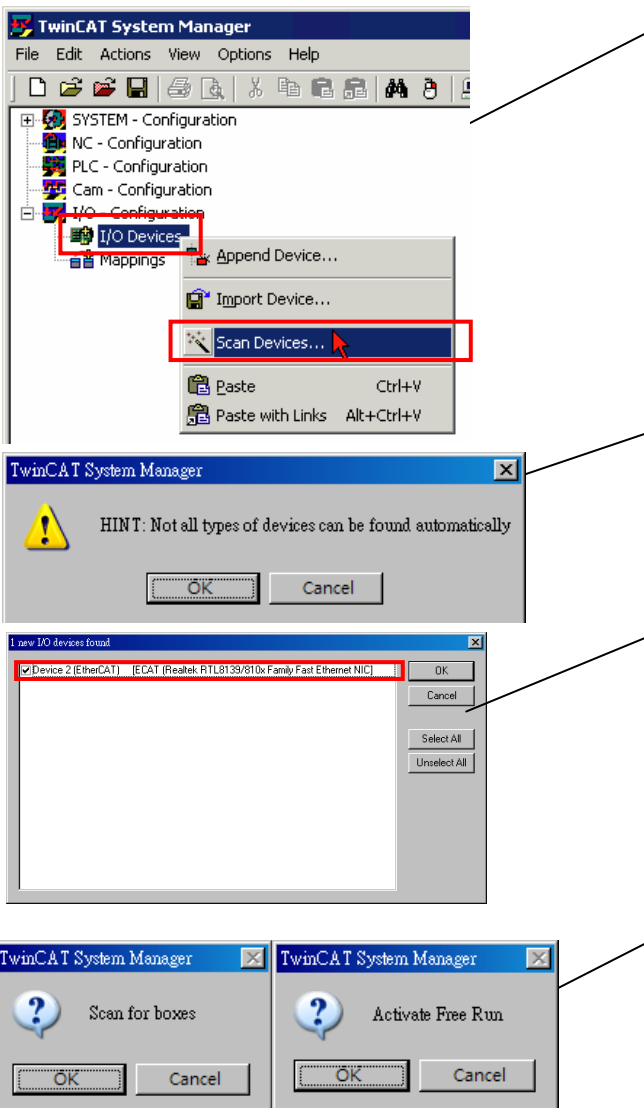
 http://ftp.icpdas.com/pub/cd/fieldbus_cd/ethercat/slave/ecat-2000/software/

Install the ESI file

Copy the “ICPDAS ECAT-2050.xml” file to the Master Tools installation folder, as indicated in the table below.

Software	Default Path
Beckhoff EtherCAT Configuration	C:\EtherCAT Configurator\EtherCAT
Beckhoff TwinCAT 3.X	C:\TwinCAT\3.x\Config\Io\EtherCAT
Beckhoff TwinCAT 2.X	C:\TwinCAT\Io\EtherCAT

Run the EtherCAT Master software (Beckhoff TwinCAT 2.X)



Switch on power

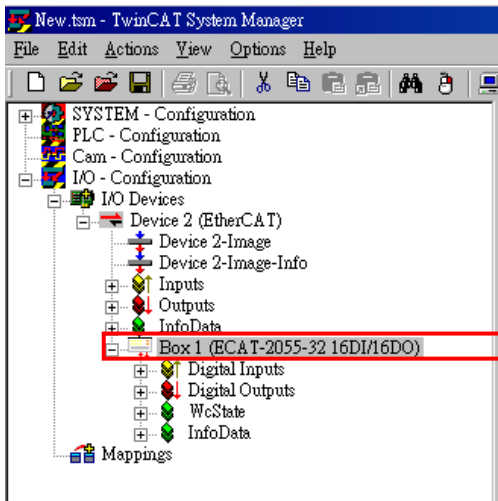
Execute the TwinCAT System Manager(Config mode)

I/O Devices-> Right click-> Scan Devices...

Click OK

Choose the correct network device which is connected to ECAT-2000

Click Yes to start scanning and click Yes to activate the free run mode for TwinCAT system manager

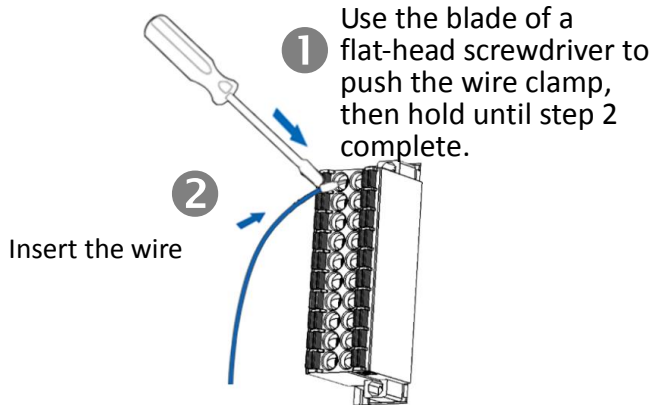


ECAT-2000 is now shown in the TwinCAT system Manager

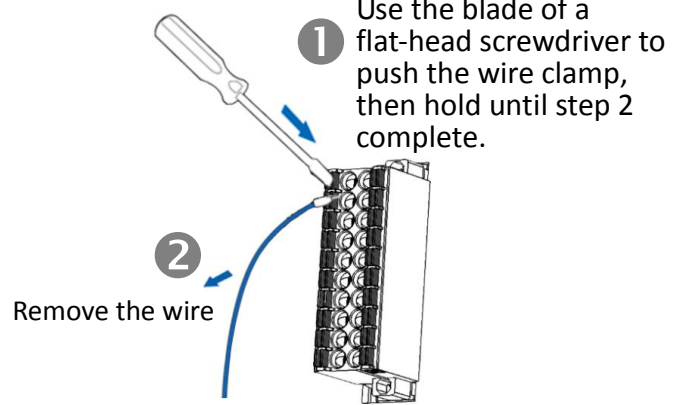
4 Wiring to the connector

Wiring Tip

Connection the Wire

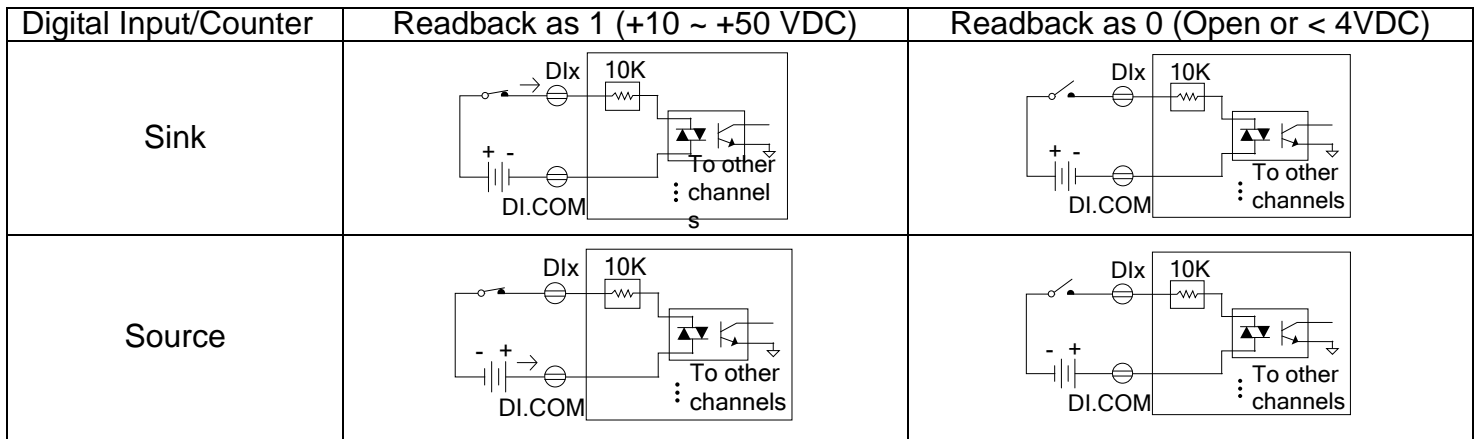


Removing the wire



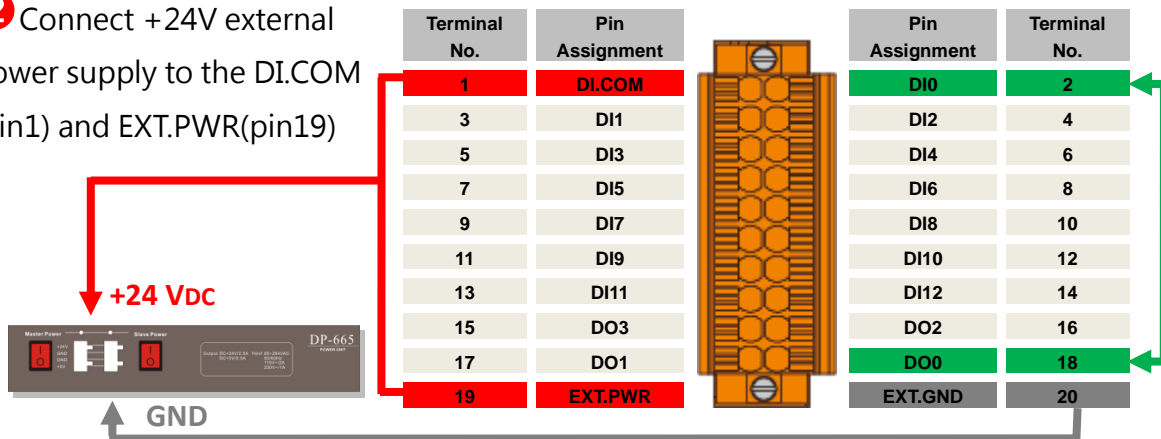
Wire Diagrams and Jumper Selectable

	Open Collector (Sink) (Default)		Open Emitter (Source)	
Jumper Selectable	JP2 ~ JP5		JP2 ~ JP5	
Output Type	Readback as 1 (ON State)	Readback as 0 (OFF State)	Readback as 1 (ON State)	Readback as 0 (OFF State)
Drive Relay				
Resistance Load				



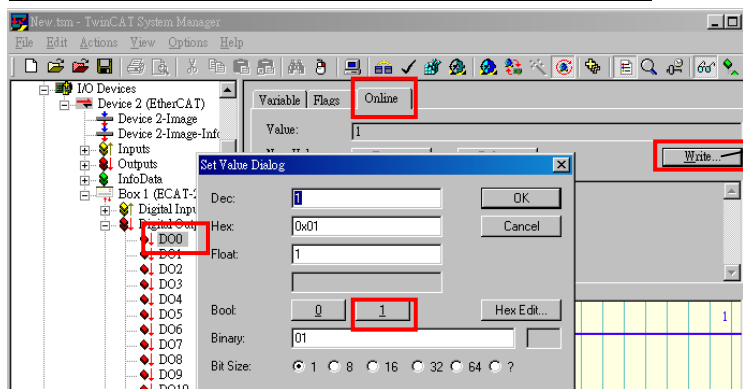
Wiring the DO0 and DI0 Pins

2 Connect +24V external power supply to the DI.COM (Pin1) and EXT.PWR(pin19)



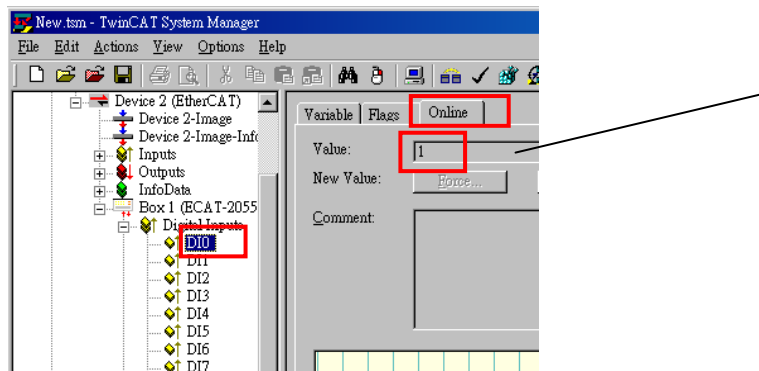
1 Connect the DO0(Pin18) to the DI0 (Pin2)

Verifying the DI and DO functionality



3 Connect the GND on external power supply to the EXT.GND(Pin20)

In the left-hand of the window, click on the DO0. In the right-hand of the windows, click the online. Click Write. Click 1 (Configure DO0 to Logic1).



In the left-hand of the window, click DI0. In the right-hand of the windows, click the online. Check Value is 1.



Related Information

Product Page/Documentation:

http://www.icpdas.com/root/product/solutions/industrial_communication/fieldbus/ethercat/io_module/ecat-2050.html
ftp://ftp.icpdas.com/pub/cd/fieldbus_cd/ethercat/slave/ecat-2000/