



ECAT-2045-32 Quick Start

v1.2, September 2019

1 Shipping Package

This shipping package contains the following items

1 x ECAT-2000 module

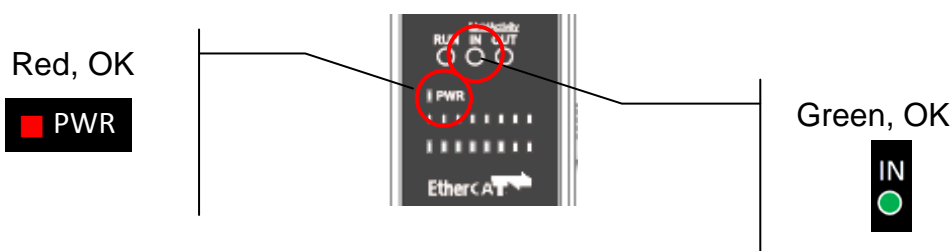
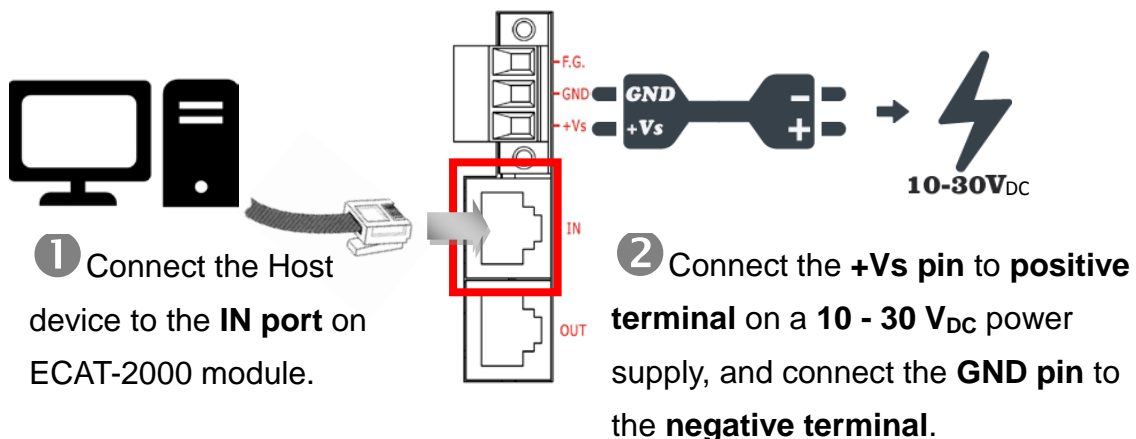


1 x Quick Start (This Document)



2 Connecting the Power and Host device

Switch on module and connect it to an EtherCAT network




3 Search Modules



ESI file

The latest **ESI file (ICPDAS ECAT-2000.xml)** can be downloaded from ICP DAS web site at

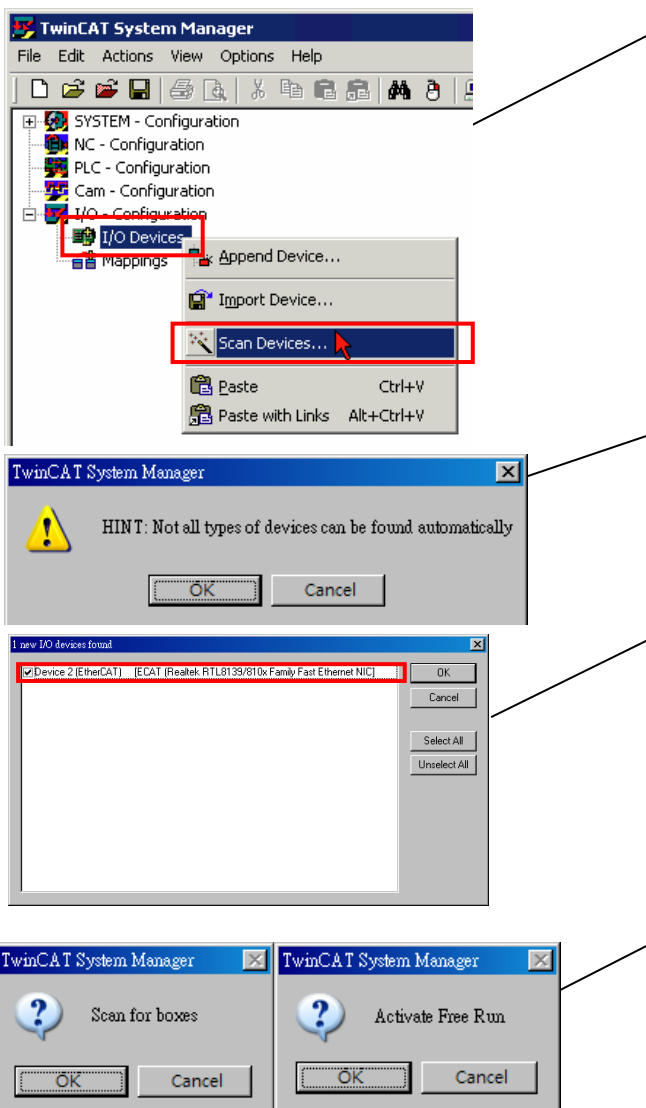
 http://ftp.icpdas.com/pub/cd/fieldbus_cd/ethercat/slave/ecat-2000/software/

Install the ESI file

Copy the “**ICPDAS ECAT-2000.xml**” file to the Master Tools installation folder, as indicated in the table below.

Software	Default Path
Beckhoff EtherCAT Configuration	C:\EtherCAT Configurator\EtherCAT
Beckhoff TwinCAT 3.X	C:\TwinCAT3.x\Config\Io\EtherCAT
Beckhoff TwinCAT 2.X	C:\TwinCAT\Io\EtherCAT

Run the EtherCAT Master software (Beckhoff TwinCAT 2.X)



Switch on power

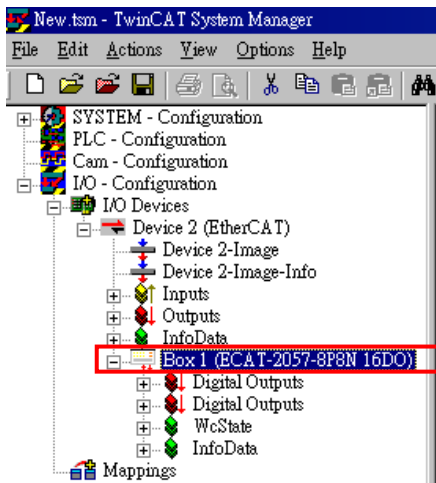
Execute the TwinCAT System Manager(Config mode)

I/O Devices-> Right click-> Scan Devices...

Click **OK**

Choose the **correct network device** which is connected to ECAT-2000

Click **Yes** to start scanning and click **Yes** to activate the **free run mode** for TwinCAT system manager

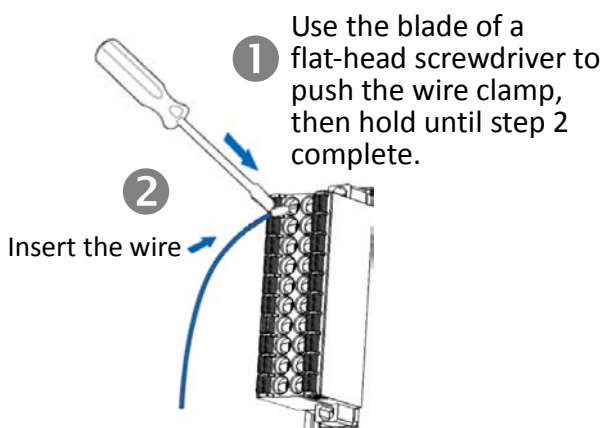


ECAT-2000 is now shown in the TwinCAT system Manager

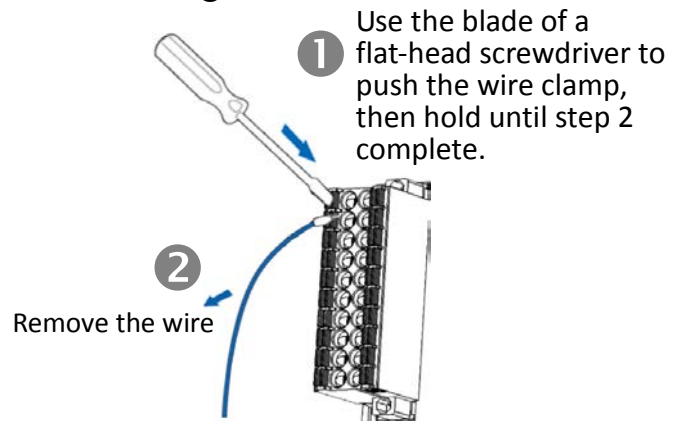
4 Wiring to the connector

Wiring Tip

Connection the wire



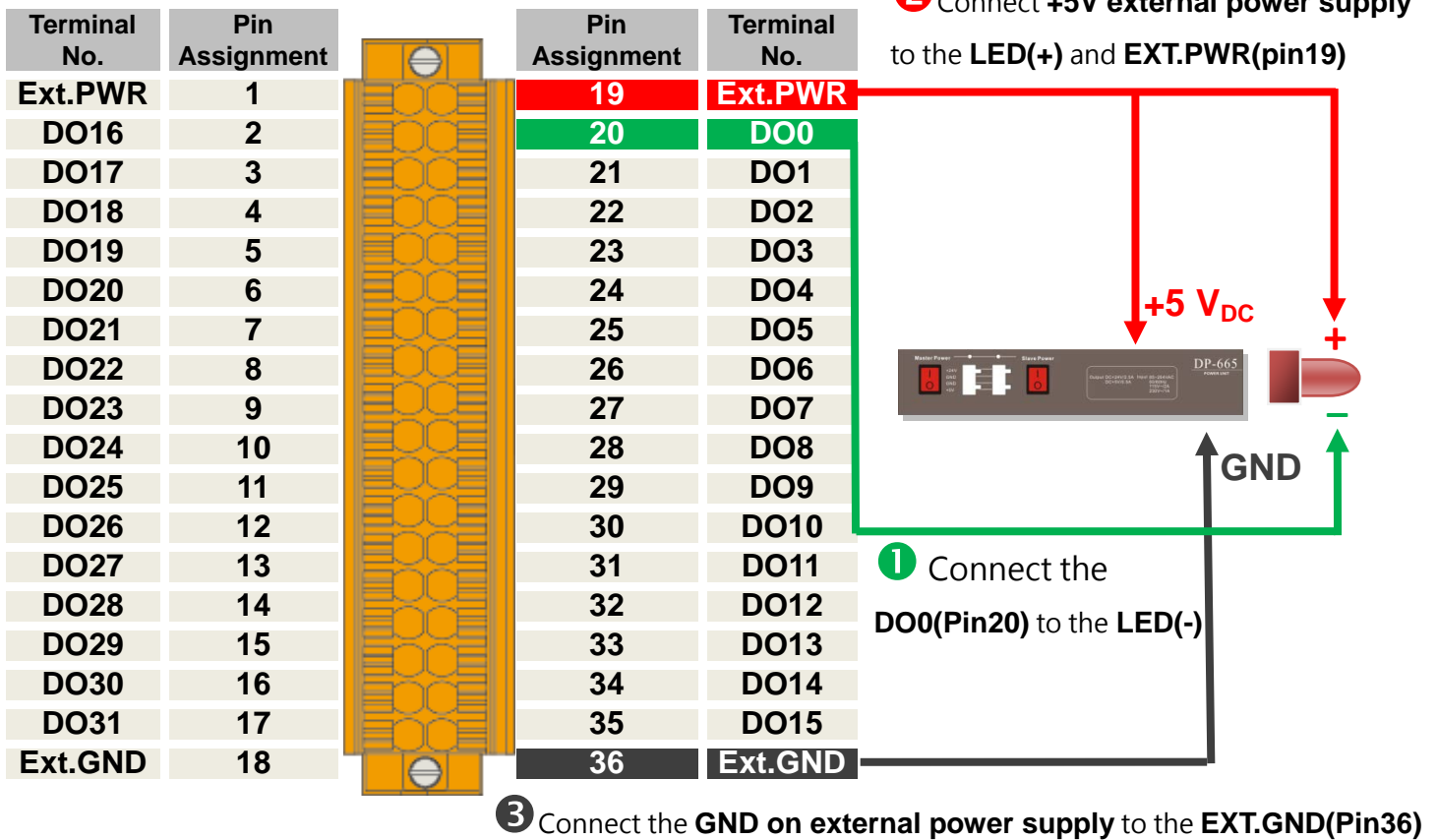
Removing the wire



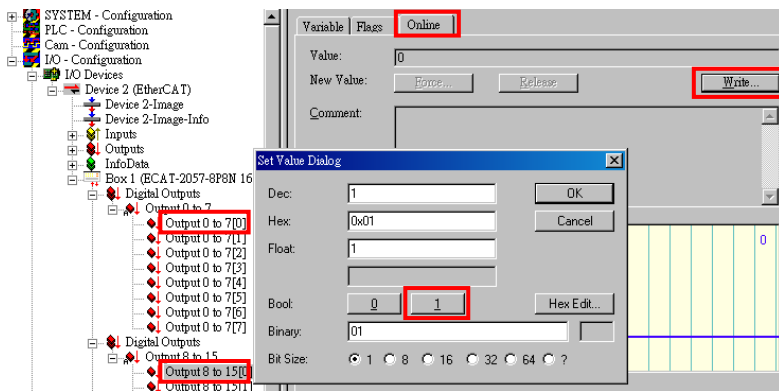
Wire Diagrams

Output Type	Sink	
	ON State Readback as 1	OFF State Readback as 0
Drive Relay		
Resistance		

Wiring the DO



Verifying the DO functionality



Click **Output 0 to 7** and click **Output 0 to 7[0]** in the left-hand window.
 Click **online** in the right-hand window.
 Click **Write**.
 Click **1 (Configure DO0 to Logic1)**.



LED is lighting.



Related Information

Product Page:

http://www.icpdas.com/root/product/solutions/industrial_communication/fieldbus/ethercat/io_module/ecat-2045-32.html

Documentation:

ftp://ftp.icpdas.com/pub/cd/fieldbus_cd/ethercat/slave/ecat-2000/

ESI file:

http://ftp.icpdas.com/pub/cd/fieldbus_cd/ethercat/slave/ecat-2000/software/

DP-665(Optional) Product Page:

http://www.icpdas.com/products/Accessories/power_supply/dp-665.htm