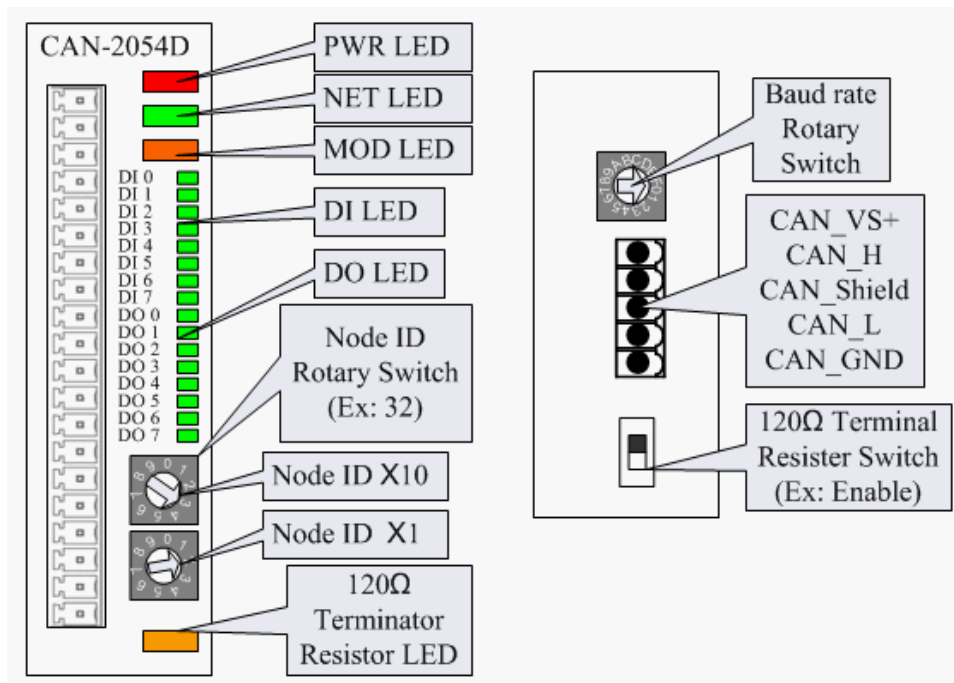


# CAN-2054D Release Note

1. The user manual of CAN-2000D series IO modules is located in  
CD:\fieldbus\_cd\DeviceNet\Slave\CAN-2000D
2. The user manual of CAN-2054D is located in  
CD:\fieldbus\_cd\DeviceNet\Slave\CAN-2000D\CAN-2054D\
3. For more information about CAN-2054D, please visit the following website:  
[http://www.icpdas.com/products/Remote\\_IO/can\\_bus/can-2054d.htm](http://www.icpdas.com/products/Remote_IO/can_bus/can-2054d.htm)



Technical Service :

- Email problem-report to **Service@icpdas.com** if you have any question.