

# μPAC-7186EXD-CAN

Ethernet CAN bus μPAC



3

Palm - size PAC - μPAC



## Main Features

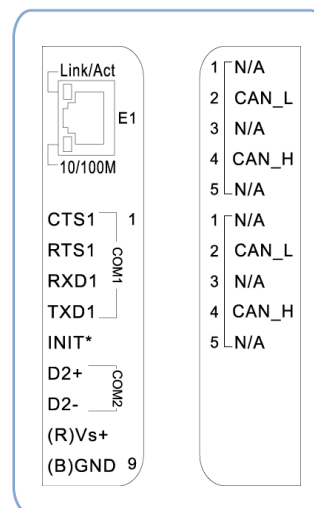
- 80186 (80MHz) CPU, 512K Flash, 512K SRAM
- **Built-in CAN bus port**
- Ethernet 10/100M Base-TX, RS-232 / RS-485
- OS: MiniOS7
- 3 program LEDs: L1, L2, L3
- Remote maintenance via the Ethernet IE, Netscape, FireFox...
- Modbus protocol to SCADA  
Indusoft, DasyLab, Trace Mode, Citect, iFix...



## Comparison

New Advantages	μPAC-7186EXD-CAN	I-7188XBD-CAN
<b>Faster / powerful Ethernet</b>	<b>10/100 Base-TX</b>	--
<b>Faster normal running speed</b>	<b>2~4 times</b>	1
<b>More powerful CPU</b>	<b>80186-80MHz</b>	80188-40MHz
<b>DI, DO</b>	--	1 DI, 1 DO
<b>More EEPROM</b>	<b>16K</b>	2K

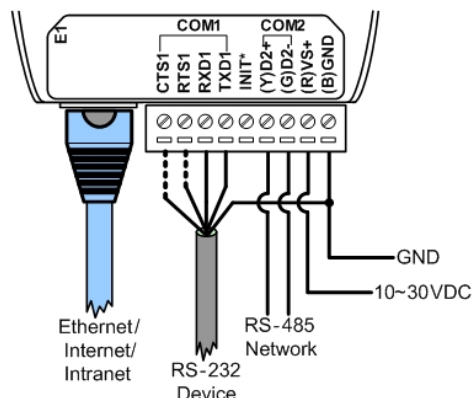
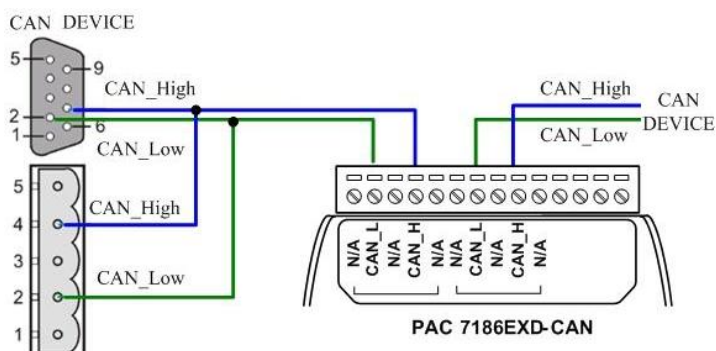
## Pin Assignments



## Features

- High reliability in harsh environment
- Embedded MiniOS7, anti-virus
- Built-in watchdog timer (WDT)
- Ethernet Protocols: TCP, UDP, IP, ICMP, ARP
- Faster 10/100M Ethernet port
- Modbus Protocols
- Expansion Bus Interface
- Remote / web Configuration/Maintenance
- Support for Virtual COM technology
- Free easy-to-use software development toolkits for your applications
- Support CAN bus application
- Support the CAN bus instead of the X-bus, so it can not be add-on any X-board

## Wiring



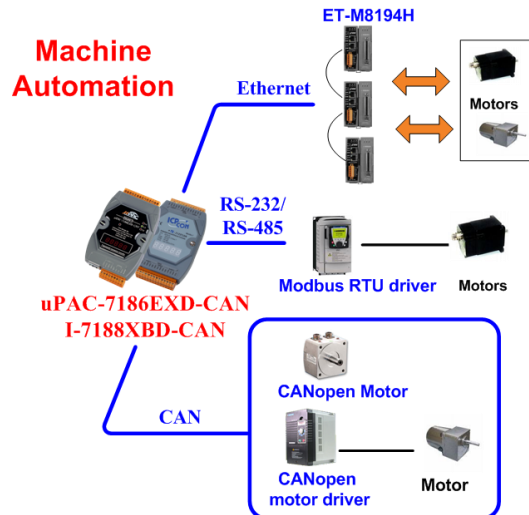
**Specifications**

Series : Palm-size PAC >  $\mu$ PAC-7186 > 86E > 86EX

PACs	$\mu$ PAC-7186EXD-CAN
<b>Core Specification</b>	
CPU	80186-80M Hz
SRAM	512K Bytes
Flash	512K Bytes
EEPROM	16K Bytes
NVRAM	31 Bytes
OS	MiniOS7
RTC	Yes
64-bit hardware serial number	Yes
Watchdog Timer	Yes
<b>Communication Interface</b>	
CAN bus	Yes, Max. Speed 1.0 M
Ethernet Port	10/100M Base-TX (Auto-negotiating, Auto_MDIX, LED indicator)
COM1	RS-232 (TXD, RXD, RTS, CTS, GND), Non-isolation, Speed: 115200 bps max
COM2	RS-485 (D2+, D2-, self-tuner ASIC inside); Non-isolation, Speed: 115200 bps max
<b>LED Display</b>	
Program LED	Yes, 3 : L1, L2, L3
System LED	Yes, as power / communication Indicator
5-digit 7-segment LED Display	Yes
<b>Hardware Expansion</b>	
I/O Expansion Bus	--
User Defined I/O Pins	--
<b>Operating Environment</b>	
Operating Temperature	-25° C to +75° C (-13° F to +167° F)
Storage Temperature	-40° C to +80° C (-40° F to +176° F)
Humidity	5% to 90%, non-condensing
<b>Power</b>	
Protection	Power reverse polarity protection
Frame Ground	Yes (for ESD Protection)
Required Supply Voltage	+10 VDC to +30 VDC (non-regulated)
Power Consumption	3 W
<b>Green Status</b>	
RoHS	RoHS Compliance 2002/95/EC
WEEE	WEEE Compliance
<b>Dimensions</b>	
	123 x 72 x 33 mm

**Applications**

- CAN bus communication application
- Industry automation
- Auto deflection CANopen slave devices
- Process monitor & control
- High speed data acquisition system
- Laboratory automation
- Communication switching
- Factory automation
- IO monitor
- Machine automation



**Ordering Information**

Model Number	Description
$\mu$ PAC-7186EXD-CAN-G	10/100M Ethernet CAN bus $\mu$ PAC, 80186-80, OS:Minios7, 512K SRAM, 512K Flash, one CAN port, one Ethernet port, two series communication ports (RS-232/RS-485), 4 programmable LEDs, 5-digit 7-segment Display (RoHS)
<b>Optional Accessories</b>	
PWR-24/110	Wall-plug power adaptor /110VAC, 60Hz, 3.6W
GPSU06U-6	Wall-plug power Adapter / 100-240VAC, 50/60Hz, 6W
PWR-24/230	Wall-plug power adaptor /220VAC, 50Hz, 3.6W
CAN-8x2x	CANopen Embedded Device with I/O Expansion

\* All orders include download utility, download cable and manual.