

i-7188XBD-CAN

Palm-size PAC With CAN bus



Main Features

- 80188-40 embedded CPU
- Built-in OS: MiniOS7
- 512K SRAM, 512K Flash
- Built-in RTC, 31B NVRAM, 2048B EEPROM
- RS-232, RS-485
- **CAN bus port**
- 1 power Indicator Red LED, 3 program LED
- 5-digit 7-segment LED Display
- 1 DI (3.5V~30V), 1 DO (100mA, 30V max)



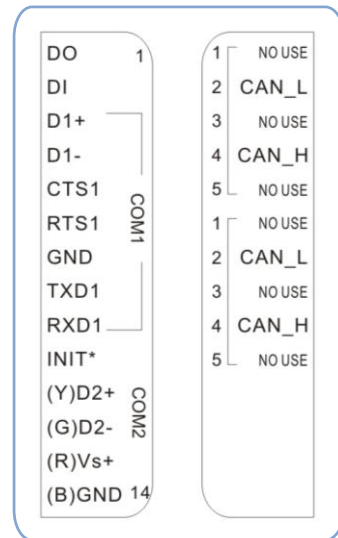
COM1 : RS-232 / RS-485

RS-232: TXD, RXD, RTS, CTS, GND
 RS-485: D1+, D1- (self-tuner ASIC)
 Default is RS-232
 Program download port
 1 byte FIFO

COM2 : RS-485

RS-485: D2+, D2-
 Self-tuner ASIC
 1 byte FIFO

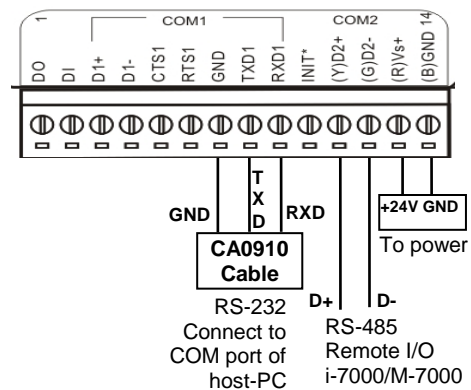
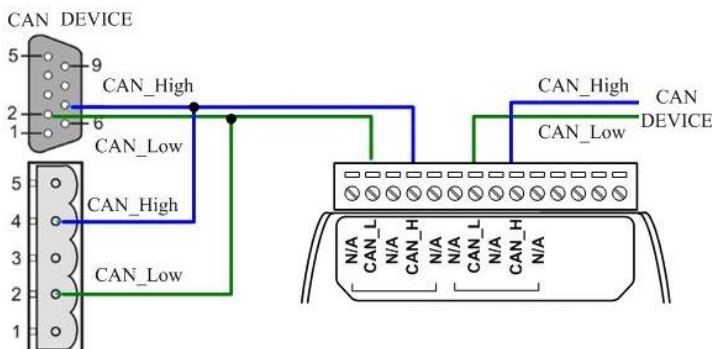
Pin Assignments



Features

- 2500Vrms photo-isolation protection.
- Compatible with CAN specification 2.0 parts A and B.
- Programmable transfer rate up to 1 Mbps.
- Jumper select 120Ω terminator resistor for CAN channel
- 64-bit hardware unique serial number inside
- COM driver support interrupt & 1K QUEUE input buffer
- Program download port: COM1
- One digital Input channel and one open collector output channel
- Built-in self-tuner ASIC controller on RS-485 port
- Support the CAN bus instead of the X-bus, so it can not be add-on any X-board

Wiring



Specifications *Series : Palm-size PAC > 1st Generation > i-7188X > i-7188XB/XBD*

PACs	i-7188XBD-CAN	
■ CPU		
CPU	80188, 40MHz or compatible	
SRAM	512K bytes	
Flash Memory	512K bytes; Erase unit is one sector (64K bytes); 100,000 erase/write cycles.	
EEPROM	2048 Bytes (8 block, each block contains 256byte) Data retention > 100 years; 1,000,000 erase/write cycles	
NVRAM	31 Bytes (battery backup, data valid up to 10 year)	
RTC (Real Time Clock)	Yes; Seconds, minutes, hours, date of the month; month, year, valid up from 1980 to 2079	
64-bit Hardware Serial Number	Yes	
Built-in Watchdog Timer	Yes	
■ Communication Interface		
COM1	RS-232 or RS-485 (default is RS-232); Program download port, 1 byte FIFO RS-232 (TXD, RXD, RTS, CTS, GND) RS-485 (D1+, D1-, self-tuner ASIC inside)	
COM2	RS-485 (D2+, D2-, self-tuner ASIC inside), 1 byte FIFO	
■ CAN bus Interface		
CAN Signal Support	CAN_H, CAN_L	
Connecter	5-pin screw terminal connector	
DI Level: Dry Contact	Logical level 0: closed to GND / Logical level 1: open	
DI Level: Wet Contact	Logical level 0: +1V / Logical level 1: +3.5V to +30V	
DO Level	Open collector to 30V Max. / Output current: 100mA	
CAN Controller	Phillip SJA1000T CAN Controller	
CAN Transceiver	Phillip 82C250 CAN Transceiver	
Isolated	2500Vrms on CAN side	
Clock Frequency	16MHz	
Transmission Speed	1MBPS Max.	
■ COM Port Formats		
Communication Speed	115200 bps max. for all ports	
■ Digital Input/Output		
Digital Input	Channels : 1 Input type : non-isolated	On voltage level : +1VDCmax (Connect to GND) Off voltage level : +3.5V~30VDC(Open)
Digital Output	Channels : 1 Output current : 100mA	Output type : Open-collector Load voltage : +5VDC to +30VDC
■ LED Display		
5-Digit 7 Segment LED Display	Yes	
LED Indicator	One system indicator red LED, three program LED (NS, MS, IO)	
■ Dimensions		
L x H x D (mm)	119 x 72 x 33	
■ Operating Environment		
Operating Temperature	-25°C to +75°C (-13° F to +167° F)	
Storage Temperature	-40°C to +80°C (-40° F to +176° F)	
Humidity	5% ~ 90%, non-condensing	
■ Power		
Protection	Power reverse polarity protection	
Required Supply Voltage	+10 to +30VDC	
Power consumption	3.0 W	

Applications

- CAN bus communication application • Industry automation
- Auto defection CANopen slave devices • Process monitor & control
- High speed data acquisition system • Laboratory automation
- Communication switching • Factory automation • IO monitor



Ordering Information

Model Number	Description
I-7188XBD-CAN-G	CAN bus palm-size PAC, 80188-40 CPU, 512K Flash, 512K SRAM, MiniOS7, one CAN port, 2 serial COM ports (RS-232/RS-485), 5-digital 7-segment Display, 1 DI and 1 DO channels
Options & Accessories	
DIN-540A/DIN-KA52F	Power supply; DIN-540A: 42Amp / DIN-KA52F: 1.05Amp
CAN-8x2x	CANopen / DeviceNet Remote I/O unit

3
Palm-size PAC - μPAC

μPAC 7186 EX

μPAC 7186 EG

μPAC 7186 XG

μPAC 7186 XB

i-7188 E

i-7188 G

i-7188 X