

# NS-216

## Unmanaged 16-port Industrial 10/100 Base-TX Ethernet Switch



### Introduction:

The NS-216 has 16 Ethernet ports that support 10/100 Base-TX, with a 10/100M auto negotiation feature and auto MDI/MDI-X function. It can connect 16 workstations and automatically switches the transmission speed (10 Mbps or 100 Mbps) for corresponding connections.

All Ethernet ports have memory buffers that support the store-and-forward mechanism, which assures that data can be transmitted properly. The NS-216 supports advanced network standards to optimize network performance, reduce maintenance costs, and secure network safety.

The flow control mechanism is also negotiated. There is link/data rate LEDs for each port to aid troubleshooting.

### Specifications:

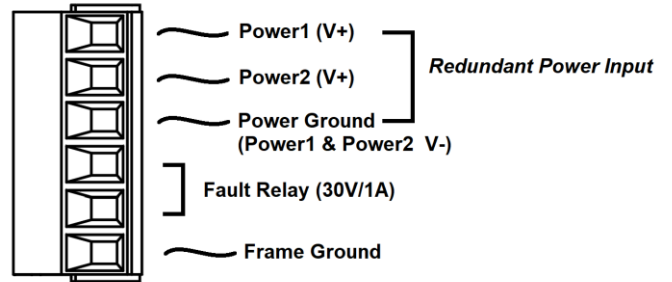
MODELS	NS-216
<b>Technology</b>	
Standards	IEEE 802.3 for 10Base-T IEEE 802.3u for 100Base-TX IEEE 802.3x for Flow Control, Back Pressure Flow Control Energy Efficient Ethernet (EEE) as per 802.3az; this provides power savings during idle network activity
Processing Type	Store & forward
MAC Addresses	8K
Frame buffer memory	2Mbit
<b>Interface</b>	
RJ45 ports	16 x 10/100 Base-TX
LED Indicators	PWR1, PWR2, Fault, 10/100M, Link/Act
Ethernet Isolation	1500 Vrms 1 minute
<b>Power</b>	
Input Voltage Range	12~48Vdc Redundant dual Input
Power Consumption	0.04 A @ 24 VDC without loading, 0.10A @ 24VDC full loading 0.02 A @ 48 VDC without loading, 0.06A @ 48VDC full loading
Power reverse polarity protection	Yes
Connector	6-Pin Removable Terminal Block
<b>Mechanical</b>	
Casing	Plastic
Dimensions (W x L x H)	56 mm x 127 mm x 157 mm
Installation	DIN-Rail and Wall mounting
<b>Environmental</b>	
Operating Temperature	-25 ~ +75 °C
Storage Temperature	-40 ~ +85 °C
Ambient Relative Humidity	10% ~ 90% RH, non-condensing

## LED Indicator Functions:

LED	COLOR	STATE	DESCRIPTION
PWR1	Green	On	Power is being supplied to power input PWR1
		Off	Power is not being supplied to power input PWR1
PWR2	Green	On	Power is being supplied to power input PWR2
		Off	Power is not being supplied to power input PWR2
Fault	Red	On	Power is not being supplied to power input PWR1 and PWR2
		Off	Power is being supplied to power input PWR1 and PWR2
Port1~16 Link/Act & speed	Green	On	Link/Act
	Yellow	Off	Link to 10Mbps
		On	Link to 100Mbps

## Pin Function for Terminal Block:

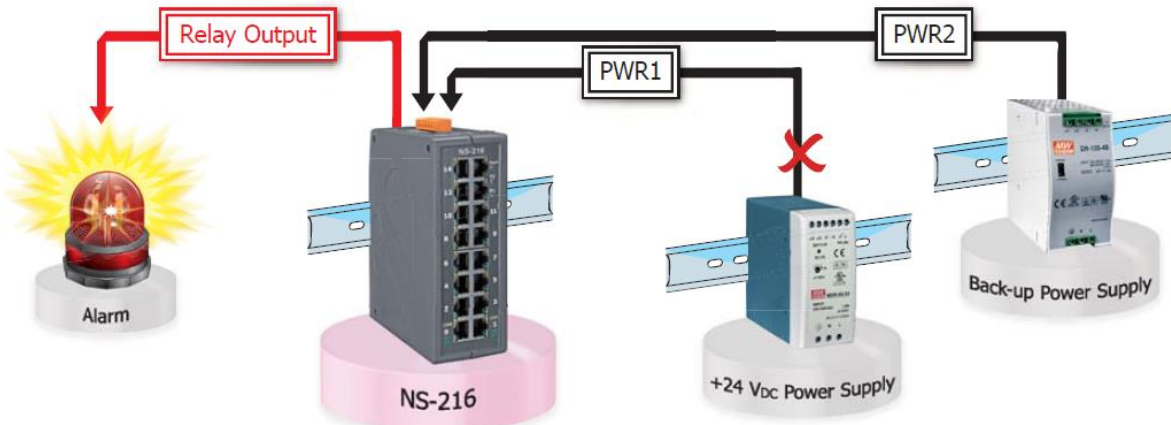
Pin	Function	Description
1	PWR1	Power1 input +12~+48VDC (V+)
2	PWR2	Power2 input +12~+48VDC (V+)
3	GND2	Power1 and 2 Ground (V-)
4	RL_COM	Power Fault relay COM
5	RL_NO	Power Fault relay NO
6	F.GND	Frame Ground.



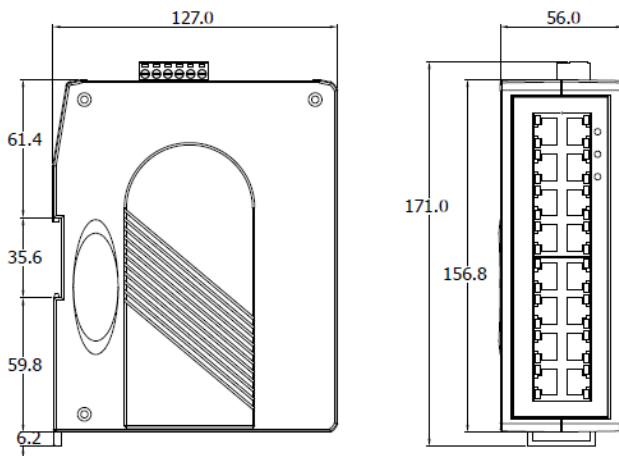
Top View

## Redundant Power Input :

Both power inputs can be connected simultaneously to live DC power sources. If one power source fails, the other live source will act as a backup, and automatically supplies all of NS-216 power needs.



## Dimensions: (Units : mm)



## Ordering information

NS-216	Unmanaged 16-port Industrial 10/100 Base-TX Ethernet Switch
--------	---

## Accessories

MDR-20-24	24 V/1 A, 24 W Power Supply with DIN-Rail Mounting
DIN-KA52F	24 V/1.04 A, 25 W Power Supply with DIN-Rail Mounting
DIN-KA52F-48	48 V/0.52 A, 25 W Power Supply with DIN-Rail Mounting