

NS-205PSE

5-Port Industrial 10/100 Mbps PoE Ethernet Switch



Introduction

The NS-205PSE is a 5-port unmanaged PoE (Power-over-Ethernet) Industrial Ethernet switch, it supports 4 PoE ports which are classified as power source equipments (PSE). The NS-205PSE makes centralized power supply come true and provides up to 15.4 watts of power per port.

The NS-205PSE can be used to power IEEE802.3af compliant powered devices (PD) by Ethernet cable and eliminates the need for additional power wiring.

Features

- Automatic MDI / MDI-X crossover for plug-and-play
- Each port supports both 10/100Mbps speed auto negotiation
- Full duplex IEEE 802.3x and half duplex backpressure flow control
- Supports operating temperatures from -30 ~ +75°C
- Four PoE ports with Power Sourcing Equipment (PSE) operation
- Auto-detection of PD (powered devices) and automatic power management
- Over-temperature, over-current and over/under-voltage detection
- Store-and-forward architecture
- Power Inputs +46 ~ +55V DC
- DIN rail mount
- IEEE 802.3af Compliant PoE Ports

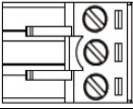
Specifications

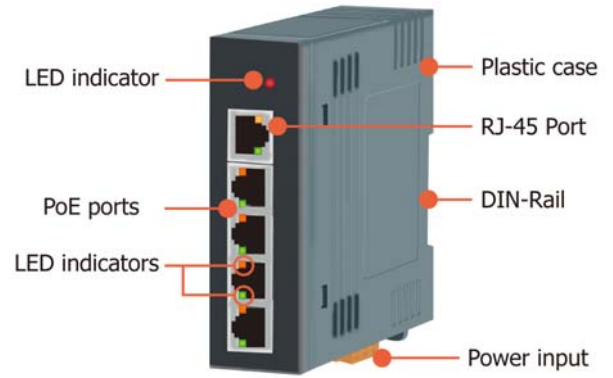
Technology	
Standards	IEEE 802.3, 802.3u, 802.3x
Processing Type	Store & forward wire speed switching
MAC Addresses	2048
Frame buffer memory	768 Kbit
Flow Control	IEEE802.3x flow control, back pressure flow control
Interface	
RJ45 ports	10/100 Base-T(X) auto negotiation speed, F/H duplex mode, and auto MDI/MDIX connection
LED Indicators	Power, Link/Act, 10/100M
Ethernet Isolation	1500 Vrms 1 minute
EMS Protection	Yes
Power Input	
Input Voltage Range	+46 ~ +55 VDC for PoE output
Power consumption	1.3A@48VDC, +/- 5% arrowed
Protection	Power reverse polarity protection
EMS Protection	Yes
Connection	3-Pin Removable Terminal Block
PoE Output	
PoE Compliance	100% IEEE 802.3af compliant
PoE Voltage	+46 ~ +48 VDC depending on power input
PoE Power	Up to 15.4 watts per channel
PoE Operation	Automatic detection and power management
Mechanical	
Case	Plastic
Dimensions	33mm x 107mm x 78mm (W x H x D)
Installation	DIN rail mount
Environmental	
Operating Temperature	-30 ~ +75°C
Storage Temperature	-40 ~ +85°C
Ambient Relative Humidity	10% to 90% non-condensing

LED Indicator Functions

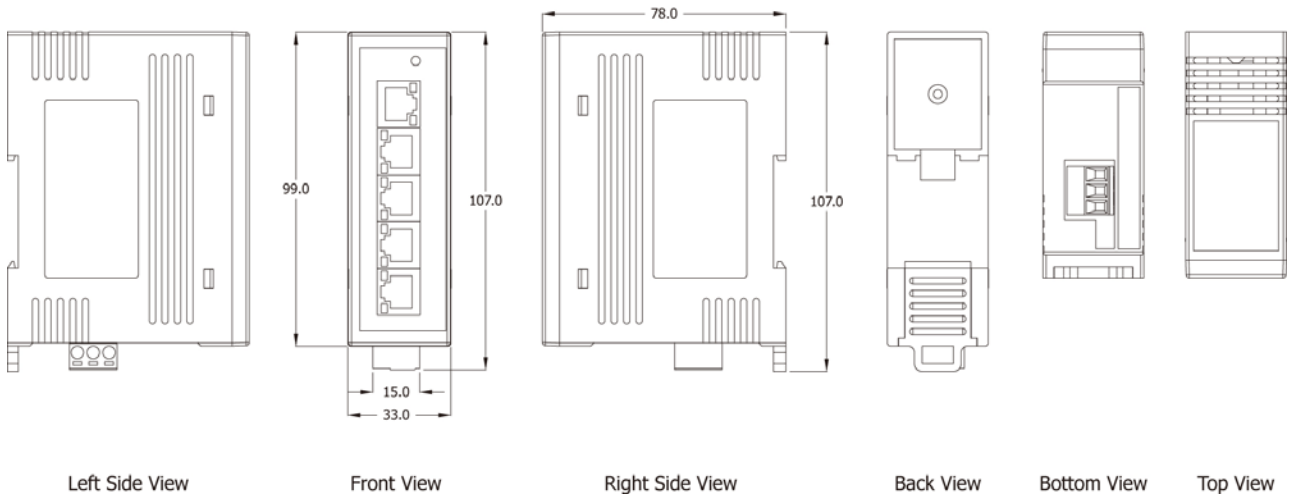
LED	Color	Description
Power	Red On	Power is On
	Red Off	Power is Off
Port1~4	Orange On	Power Device is detected
	Green On	Link/Act
Port 5	Yellow On	Link to 100Mbps
	Green On	Link/Act

Pin assignment

Pin	Terminal No.	Function
F.G		Frame Ground.
GND		Power Ground.
+VS		+46 ~ +55 VDC



Dimensions



Accessories

DR-120-48	48 V/2.5A, 120 W Power Supply with DIN-Rail Mounting
MDR-60-48	48 V/1.25 A, 60 W Power Supply with DIN-Rail Mounting
DIN-KA52F-48	48 V/0.52 A, 25 W Power Supply with DIN-Rail Mounting