

# HA-401 Quick Start

June 2016, Version 1.0.0

## What's In the Box?

The package includes the following items:



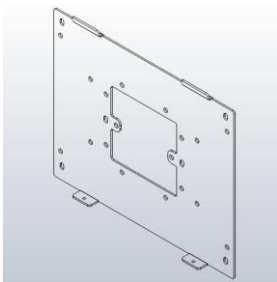
HA-401



Software Utility CD



Screw Driver



Fixed Wall Mount  
for Indoor Host (10.1")



M3 X 5L Screw \* 2



M4 X 12L  
Self-tapping Screw \* 4

## Technical Support

- **HA Website**

[http://www.icpdas.com/root/product/solutions/ba\\_ha/ha-401.html](http://www.icpdas.com/root/product/solutions/ba_ha/ha-401.html)

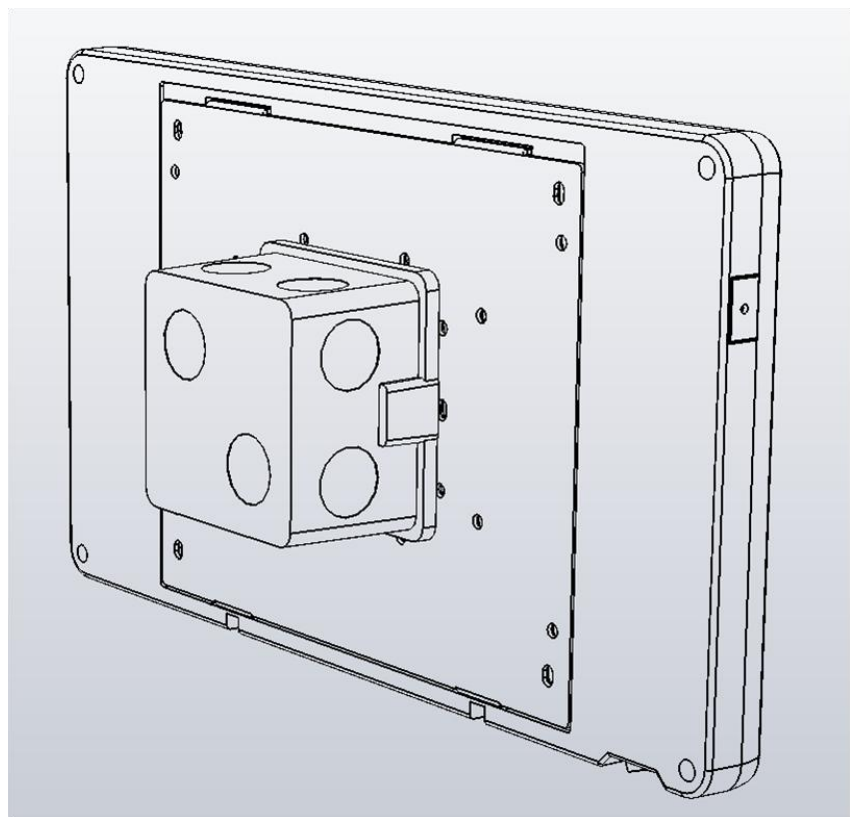
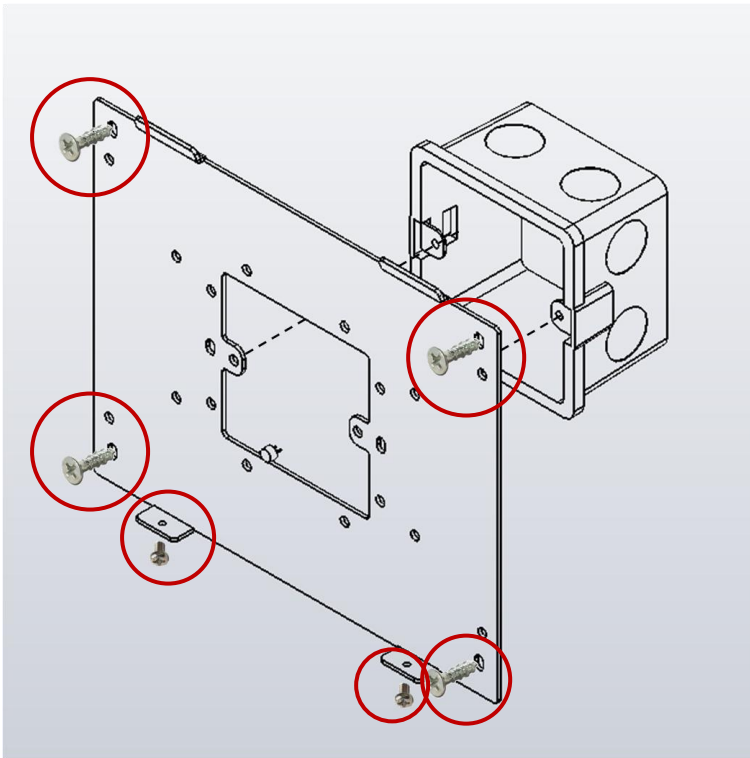
- **HA User Manual**

<http://ftp.icpdas.com/pub/cd/ba-ha/ha-401/>

- **ICP DAS Website**

<http://www.icpdas.com/>

# Mounting the Hardware:



# Software Installation:

**Creator** provides an easy-to-use **Graphical User Interface (GUI)** and diverse objects to integrate into HMI applications without coding for developing customized HA-401.

**Creator** allows users to design their own HMI screens, go to the FTP to get the latest version of the software.

<http://ftp.icpdas.com/pub/cd/ba-ha/ha-401/tools/creator/>

Creator Website

<http://www.icpdas.com/root/product/solutions/software/creator/creator.html>

Creator User Manual

<http://www.icpdas.com/root/product/solutions/software/creator/download.html>

(Refer the user manual to install the Creator on your PC.)

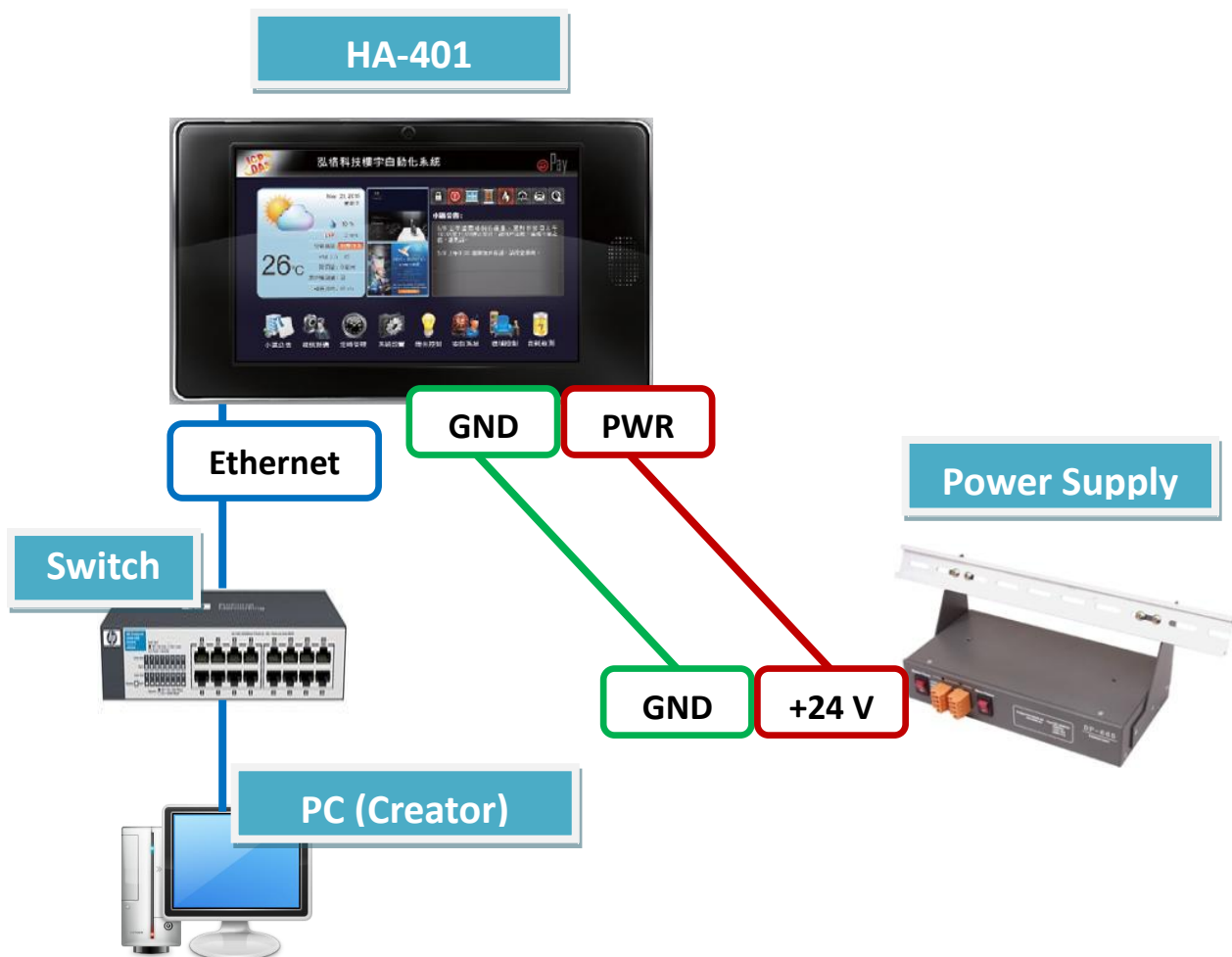
# 1. Connecting the PC and Basic Operations

## Connect the HA-401 and the PC

- 1) Connect the positive terminal (+) of the power supply to the terminal PWR and the negative terminal (-) of the power.

**Notice:** The input range of power supply is :  $+12 \sim +48 \text{ V}_{\text{DC}}$

- 2) Connect the HA-401 and the PC by using Ethernet cable.  
(You can use an Ethernet Switch if necessary.)



## Basic Operations

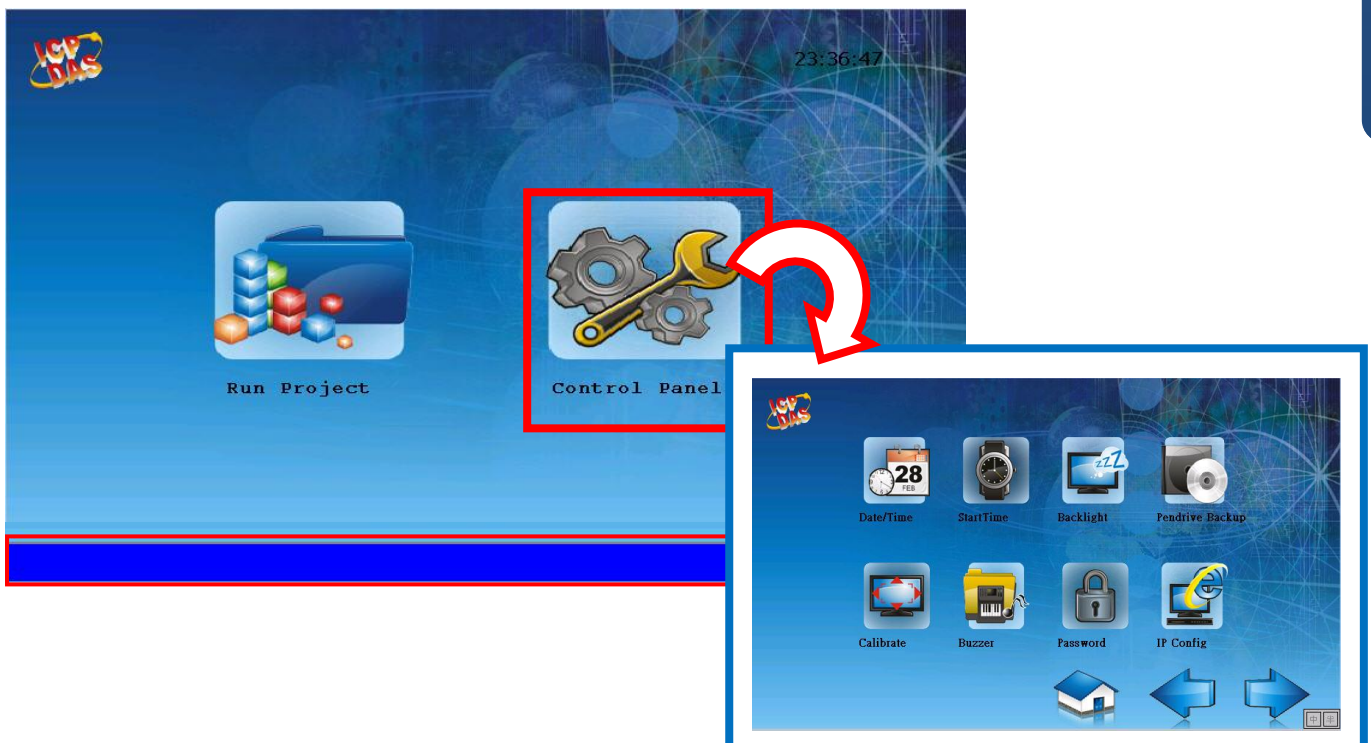
Turn on the HA-401, and the HMI screen will show as below after completing the start procedure:



To go to the main screen, holding on the A position and then move to B position.

- (1) Click the “Run Project” button to go back to the Home screen.
- (2) Click the “Control Panel” button to go to the configuration screen.

(For more details about the settings, refer the Creator user manual.)

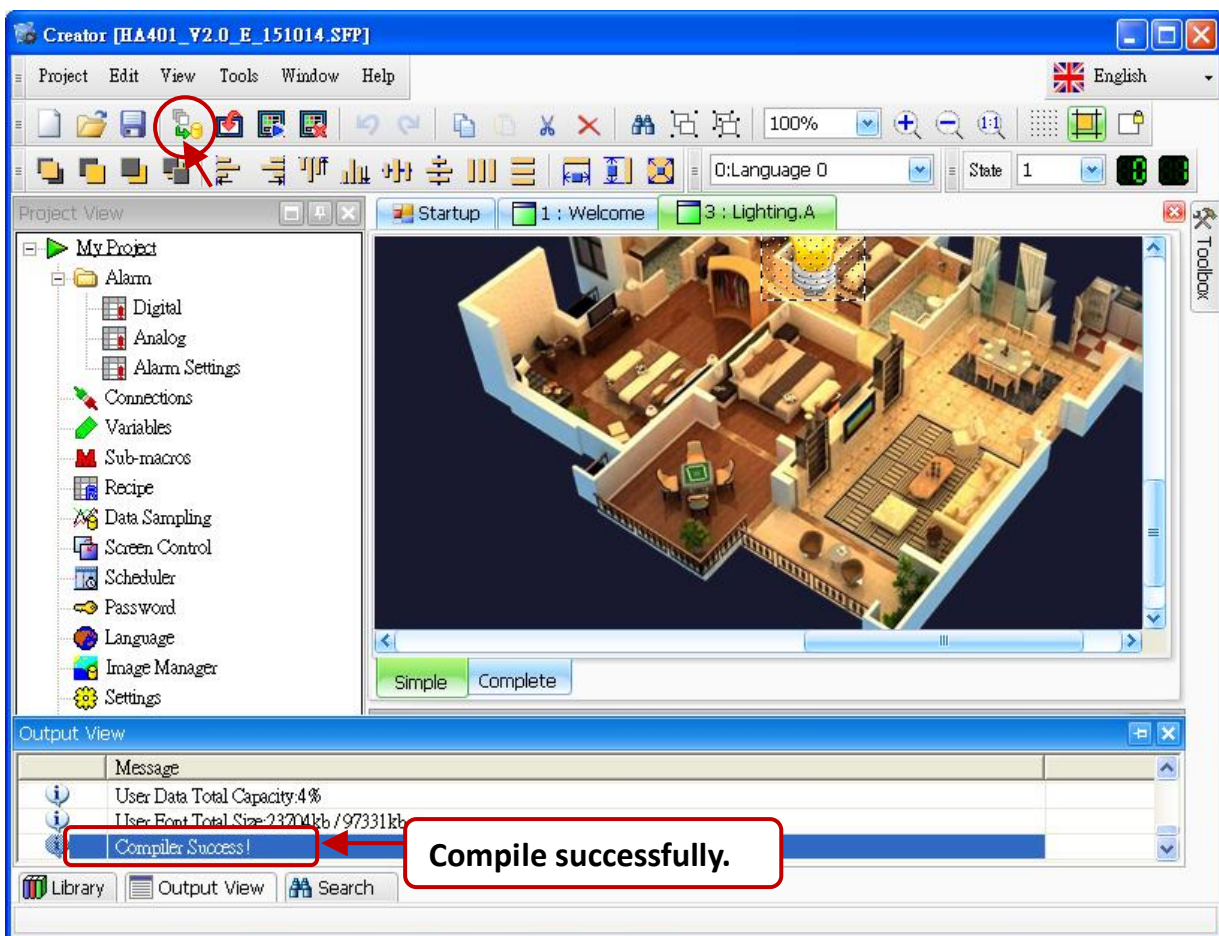


## 2. Download the Project

Users can design their own HMI pages by using the Creator, and then download the Creator project to the HA-401.

### Compile a Project

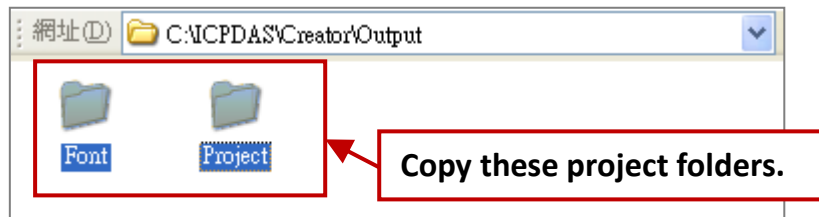
Before uploading, click the “Compiler” button to compile the project. After doing this, the “Output View” window below will show “Compiler Success!”.



## Upload a Project

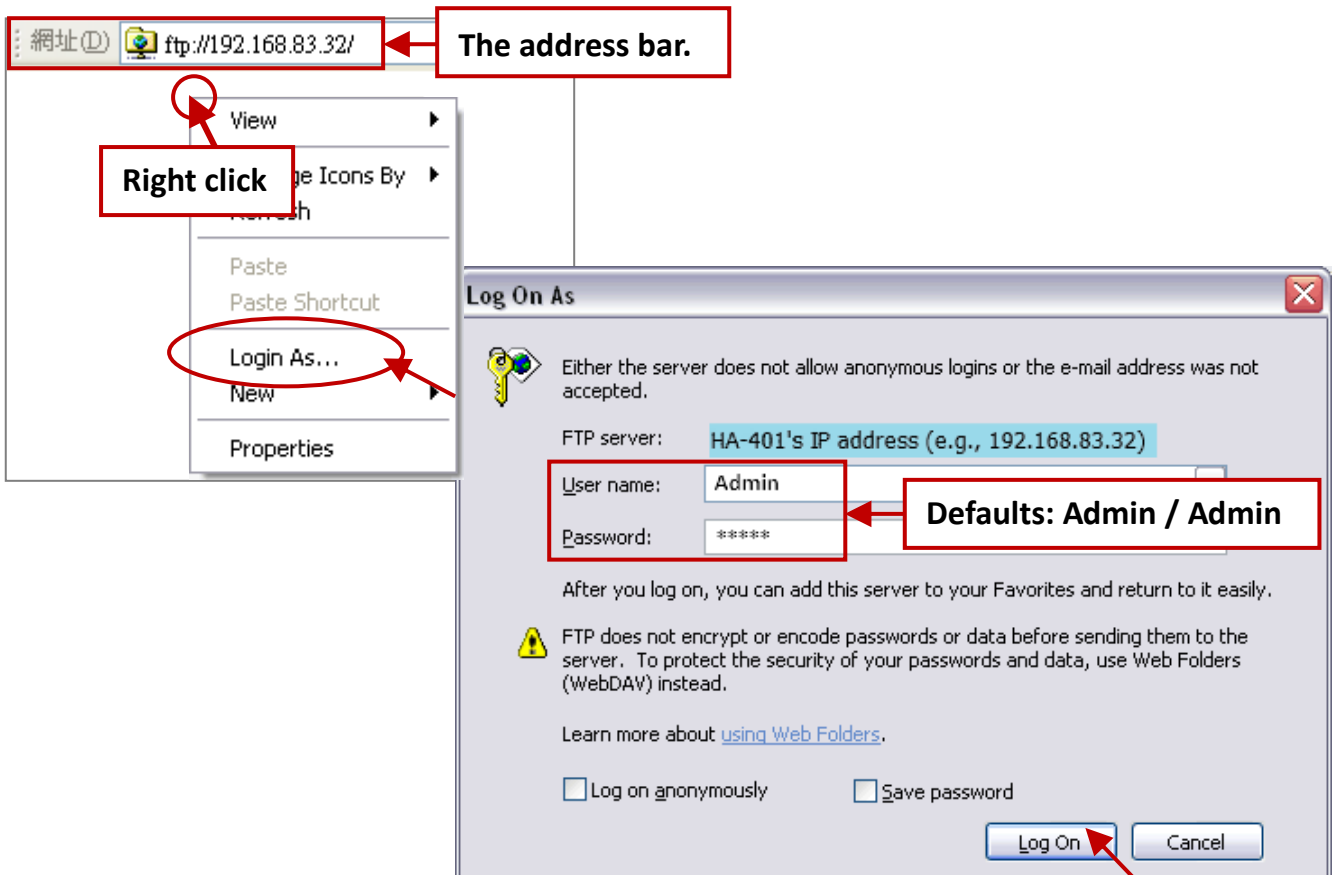
In the further version, the **Creator** will provide the upload function for the HA-401. Now, follow these steps to upload a project to the HA-401 by using FTP.

1. Copy these project folders (i.e., “Font” and “Project”) in the path **C:\ICPDAS\Creator\Output** on your PC.

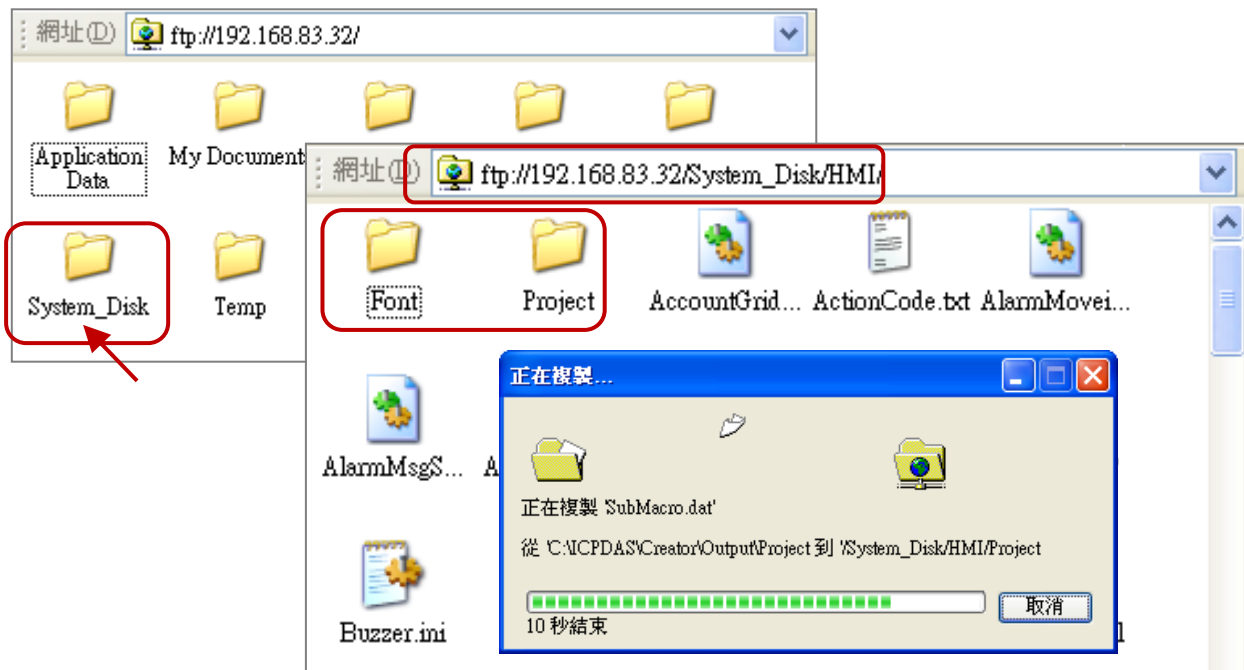


## Login to FTP

2. Open any folder and enter “ftp://HA-401’s IP address” (e.g., ftp://192.168.83.32) in the address bar. (See the IP Config setting in the Control Panel)
3. Right-click in the white area and choose “Login As...”, and then enter the username and password (Defaults: Admin / Admin). Then, click the “Log On” button.



4. After logging into the HA-401. Paste the copied Creator project folders in the Step 1 (“Font” and “Project”) to the path **/System\_Disk/HMI/** in the HA-401.



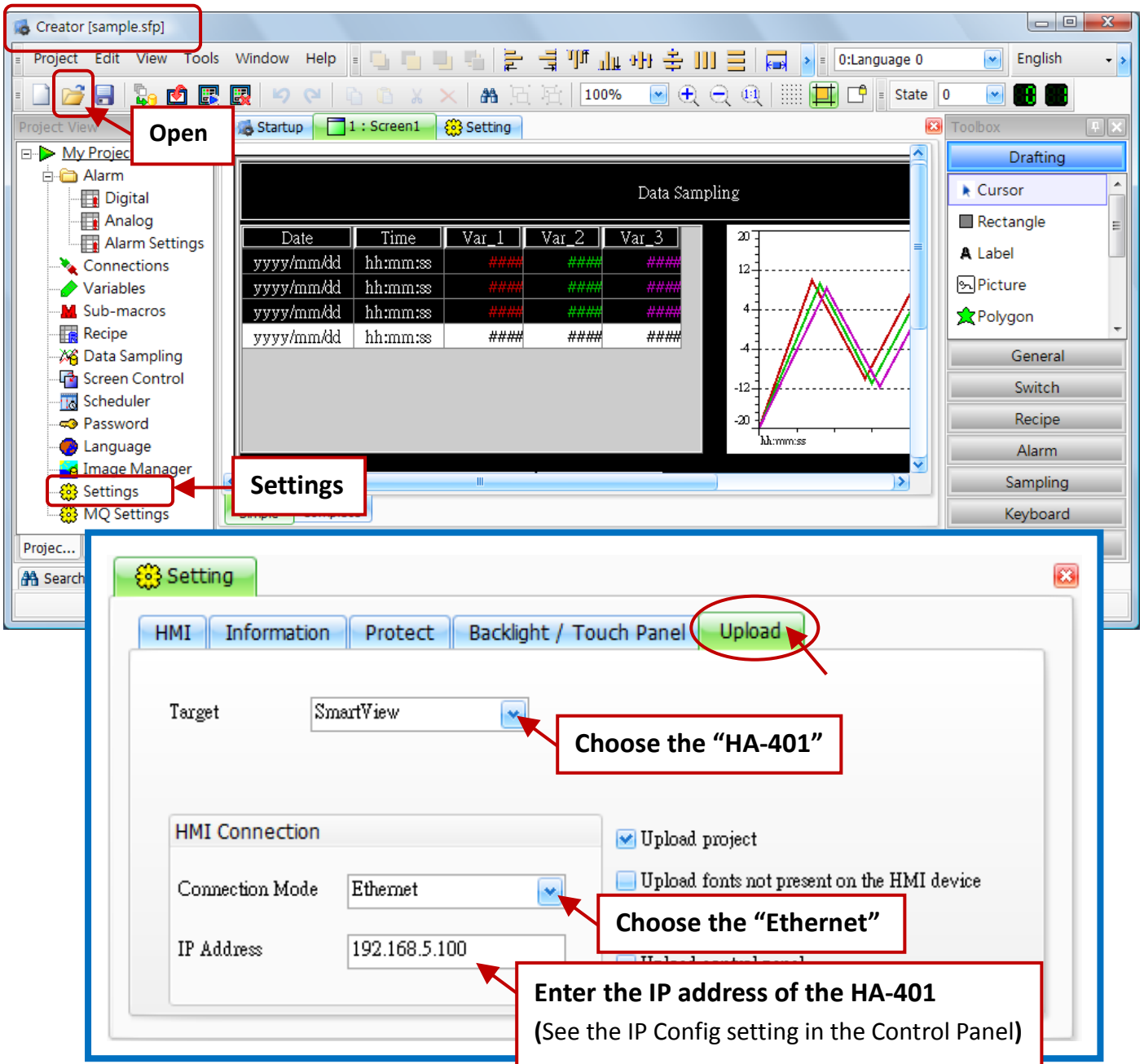


# Using the Creator to Download the Demo Project

Users can design their own HMI pages by using the Creator, and then download the Creator project to the HA-401. Now, we using the demo project (sample.sfp) as an example for the descriptions, the user can download Creator files from the FTP:

<http://ftp.icpdas.com/pub/cd/ba-ha/ha-401/tools/creator/>

1. Run the Creator and click the **“Open”** button to open the demo project (sample.sfp).
2. Mouse double-click on the **“Settings”** item to configure the connection settings.



3. Click the **“Compiler”** button to compile the program.
4. Click the **“Upload”** button to download the project to the HA-401.  
(After downloading, the HA-401 will automatically run the project.)

