

Classification	System and Application FAQ on XPAC				No.	1-006-01	
Author	Weikai	Version	1.0.0	Date	2010/4/11	Page	1/10

Q: How to link serial devices through RS-485 on XP-8000?

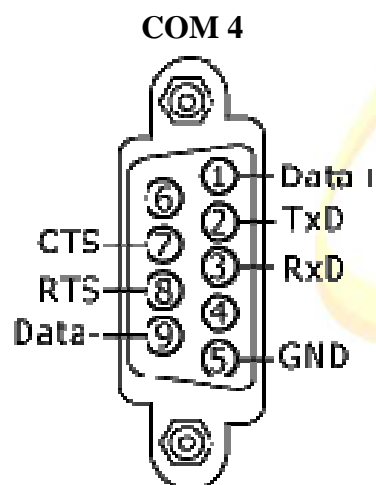
Applied to:

<i>Platform</i>	<i>OS version</i>	<i>XPAC utility version</i>
<i>XPAC series</i>	<i>All versions (WinCE6)</i>	<i>All versions</i>

XPAC is equipped with two RS485 COM ports (COM3, COM4) which enable the transmission rate up to a maximum of 115.2K bps. The medium for connection is a twisted-pair, multi-drop, 2-wire RS-485 network that can link i-7000, M-7000, RU-87Pn, high profile I-87K modules and the other serial devices.

Pin assignment of COM4:

COM3 can be configured as either RS-232 or RS-485, that only can select one at a time and its configuration depends on the pin connections as follows: RS-232 (RXD, TXD, CTS, RTS and GND) RS-485 (Data+ and Data-) there is no software configuration or hardware jumper needed.



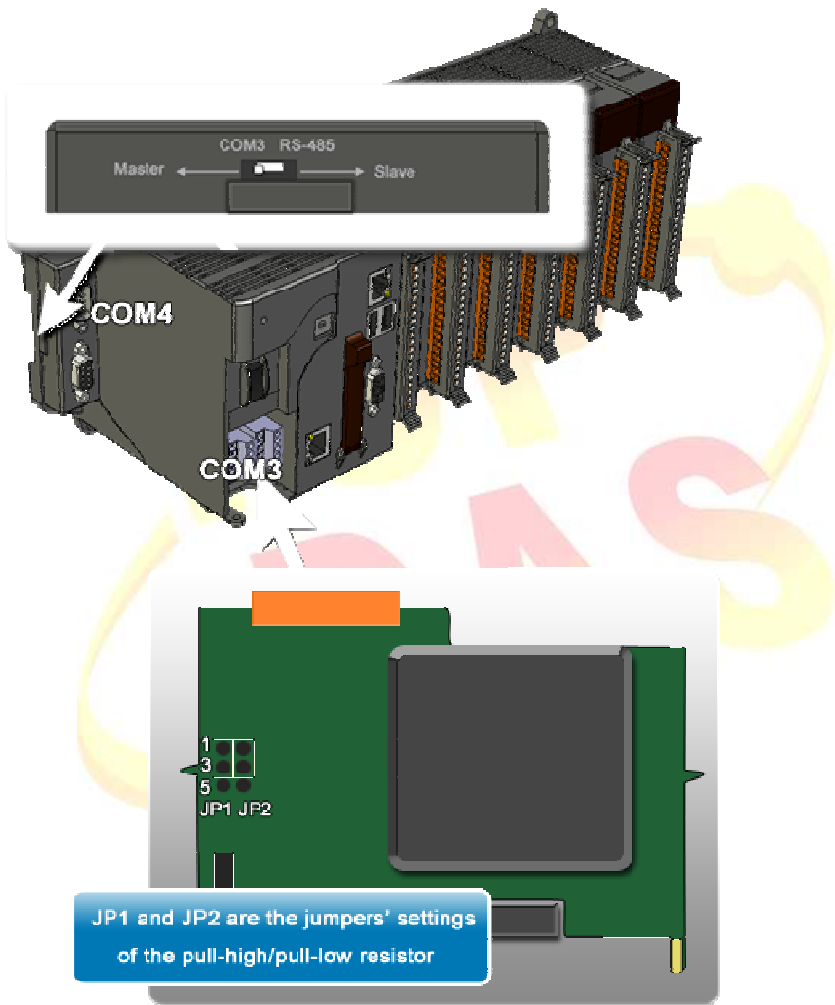
Master/Slaves Settings of COM4/COM3:

The RS-485 network based on master-slave architecture consists of a single master device and one

Classification	System and Application FAQ on XPAC				No.	1-006-01	
Author	Weikai	Version	1.0.0	Date	2010/4/11	Page	2/10

or more slave devices. The XPAC provides two RS-485 communication interfaces based on the master-slave system architecture, all of which have a pull-high/pull-low resistor, user can set it to master or slave for implementing an RS-485 multi-drop network.

One of the RS-485 communications, COM3, its pull-high/pull-low resistor located on power board, the other, COM4, located on the right side and its pull-high/pull-low resistor located on the bottom of the right side, as shown below.



Tips & Warnings

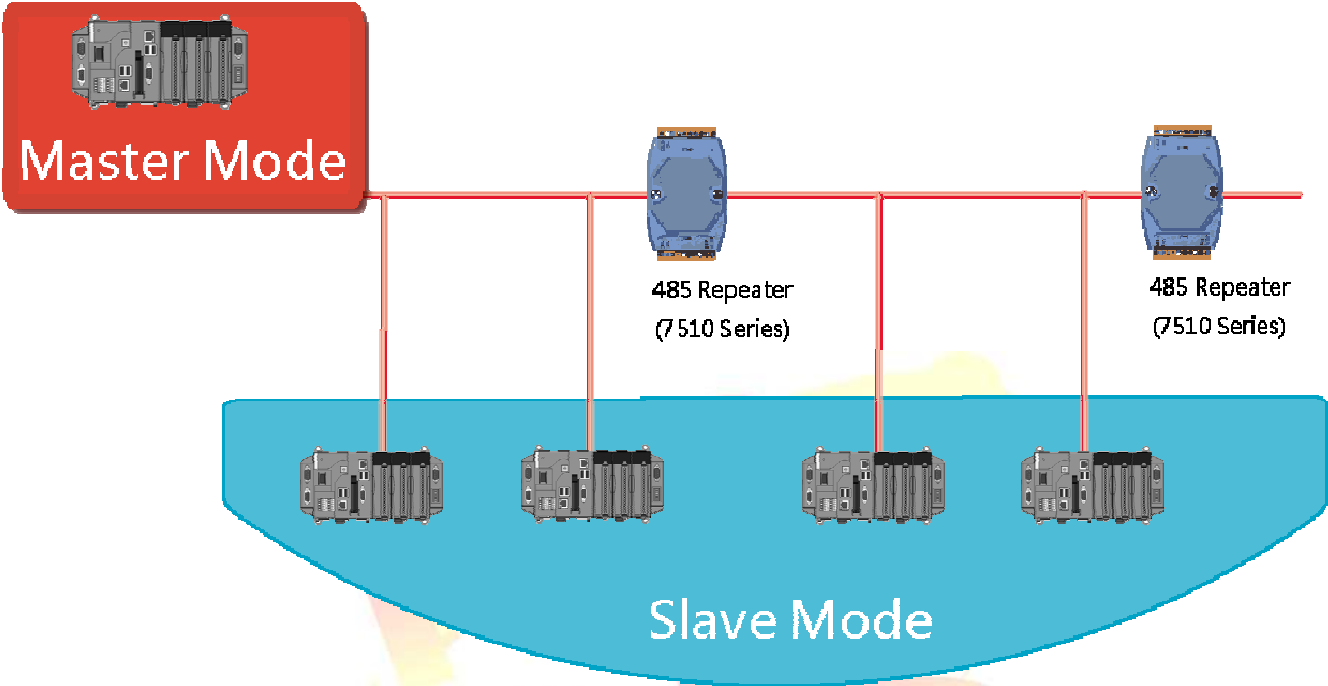
 If XPAC is used as a Slave device on RS-485 network, it's better to use COM3.

XPAC as a Master (default):

When one of XPAC is set to master, then all the other devices on the same network must be slave

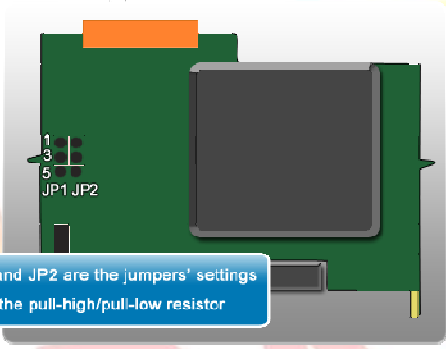
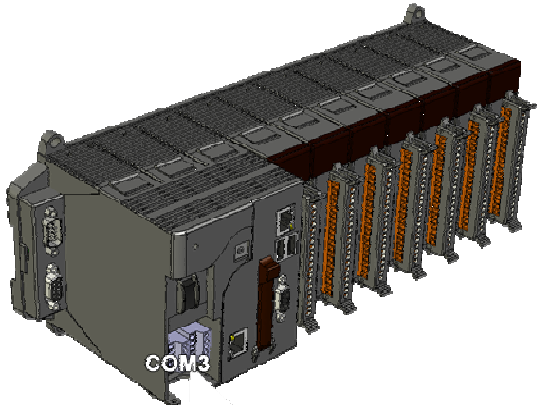
Classification	System and Application FAQ on XPAC				No.	1-006-01	
Author	Weikai	Version	1.0.0	Date	2010/4/11	Page	3/10

mode. If the network is up to 1.2 KM, it will need a repeater (7510 series) to extend the network length.



Classification	System and Application FAQ on XPAC				No.	1-006-01	
Author	Weikai	Version	1.0.0	Date	2010/4/11	Page	4/10

When XPAC as a master using COM3 communication interface, the pull-high/pull-low resistor located on the power board must adjust to enable as shown below.



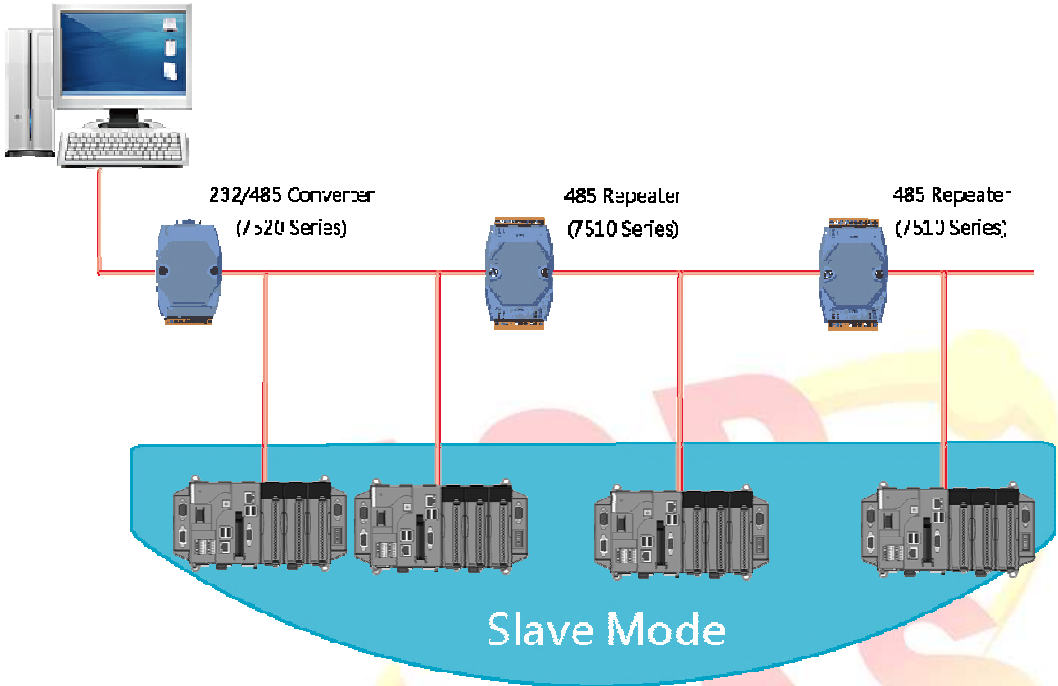
When XPAC as a master using COM4 communication interface, the pull-high/pull-low resistor located on the power board must adjust to enable as shown below.



Classification	System and Application FAQ on XPAC				No.	1-006-01	
Author	Weikai	Version	1.0.0	Date	2010/4/11	Page	5/10

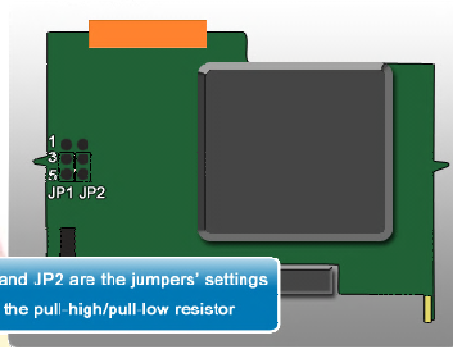
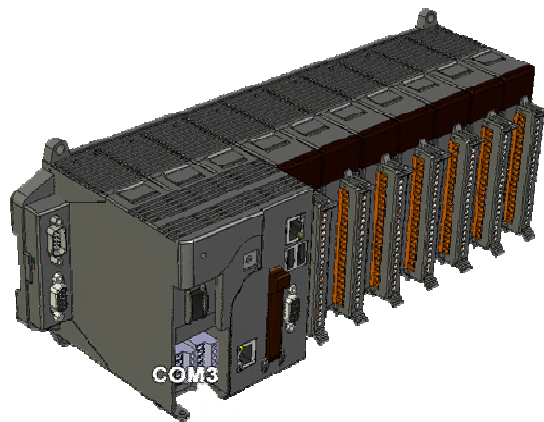
XPAC as a Slave:

For most of application, when using one 7520 series as RS-232/485 converter, its pull-high/pull-low resistors are set to enabled. Then the XPAC-8000 and all the other devices on this network must be slave mode (the pull-high/pull-low resistors must be disabled). If there are repeaters on the RS-485 network, there will be pull-high/pull-low resistors on both sides of the repeaters (I-7510)

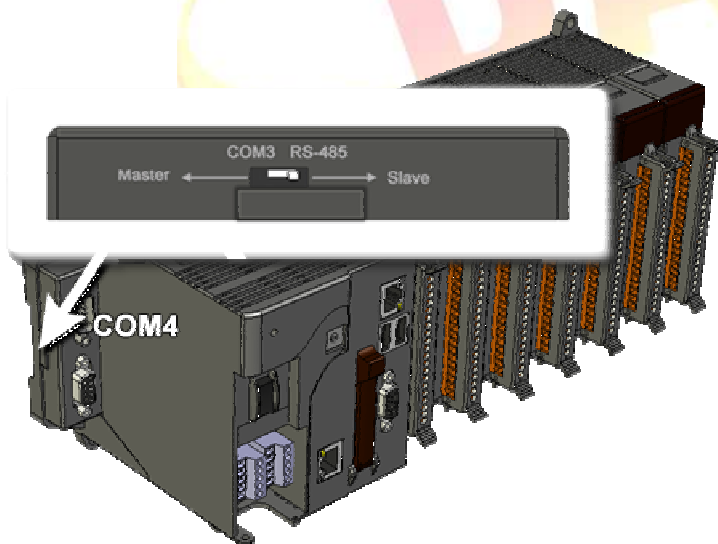


When XPAC as a slave using COM3 communication interface, the pull-high/pull-low resistor located on the power board must adjust to disabled as shown below

Classification	System and Application FAQ on XPAC				No.	1-006-01	
Author	Weikai	Version	1.0.0	Date	2010/4/11	Page	6/10



When XPAC as a Slave using COM4 communication interface, the pull-high /pull-low resistor located on the power board must set to “Slave” as shown below.

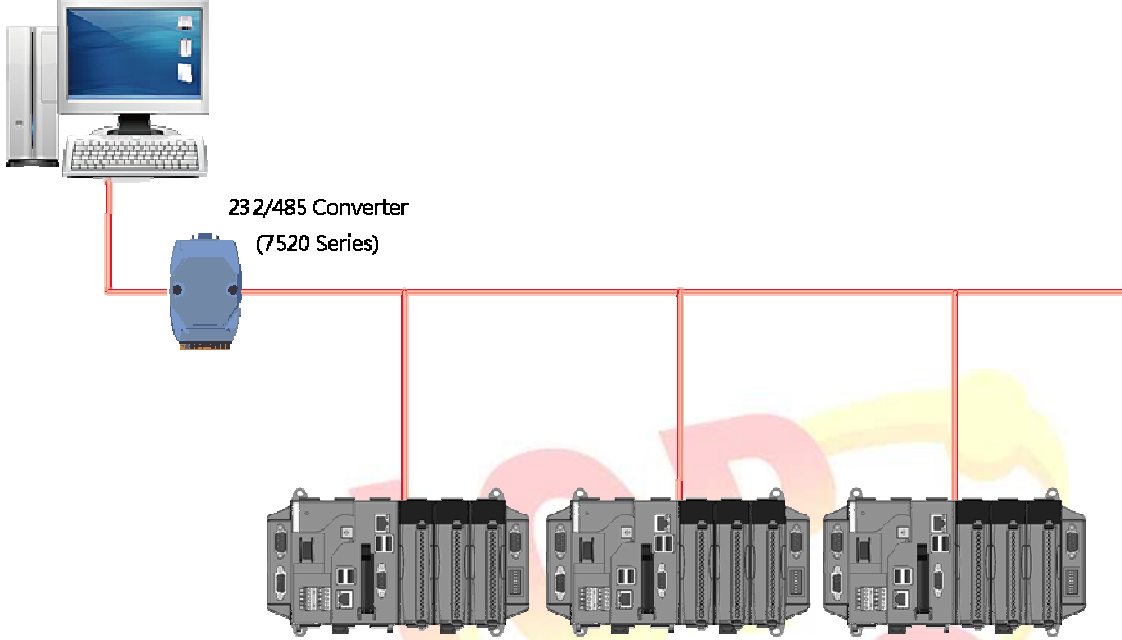


Classification	System and Application FAQ on XPAC				No.	1-006-01	
Author	Weikai	Version	1.0.0	Date	2010/4/11	Page	7/10

Four kinds of RS-485 networks

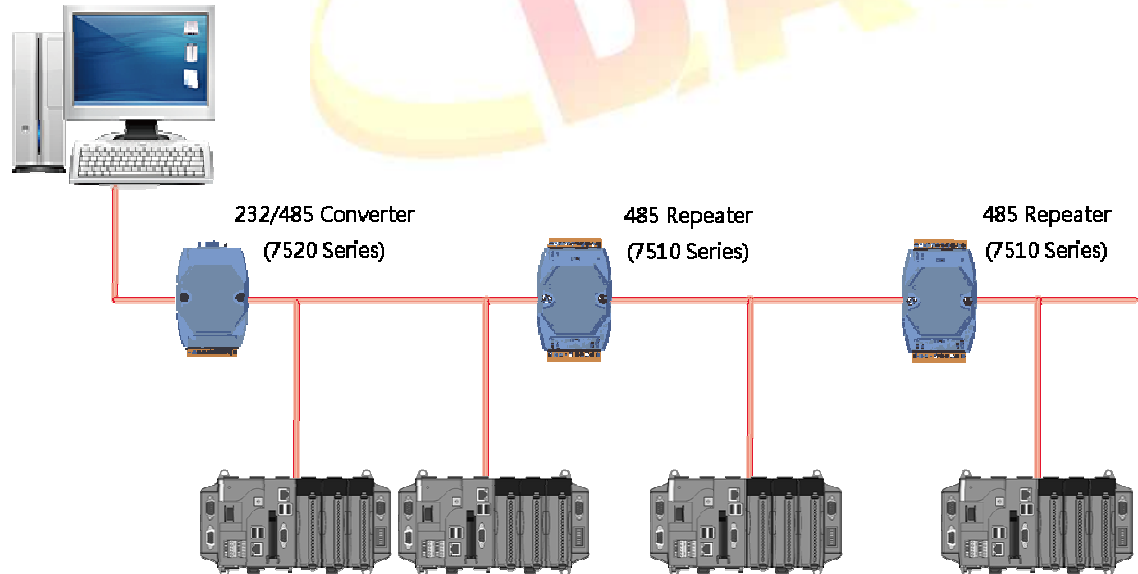
1. Basic RS-485 Network.

The basic component of the RS-485 network consist of a Master Controller (or using a PC as a host controller), and some RS-485 devices.



2. Daisy Chain RS-485 Network.

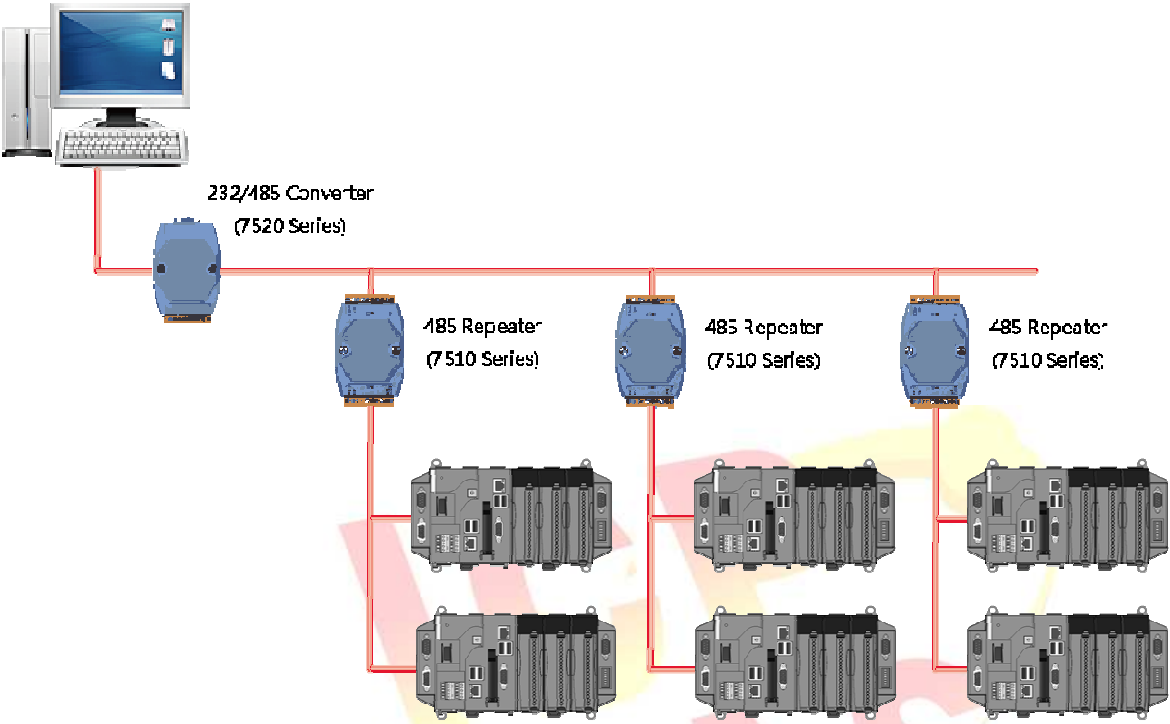
All RS-485 devices are wired directly to the main network, if the network is up to 1.2 km, it will need a repeater (7510 series) to extend the network length.



Classification	System and Application FAQ on XPAC				No.	1-006-01	
Author	Weikai	Version	1.0.0	Date	2010/4/11	Page	8/10

3. Star Type RS-485 Network.

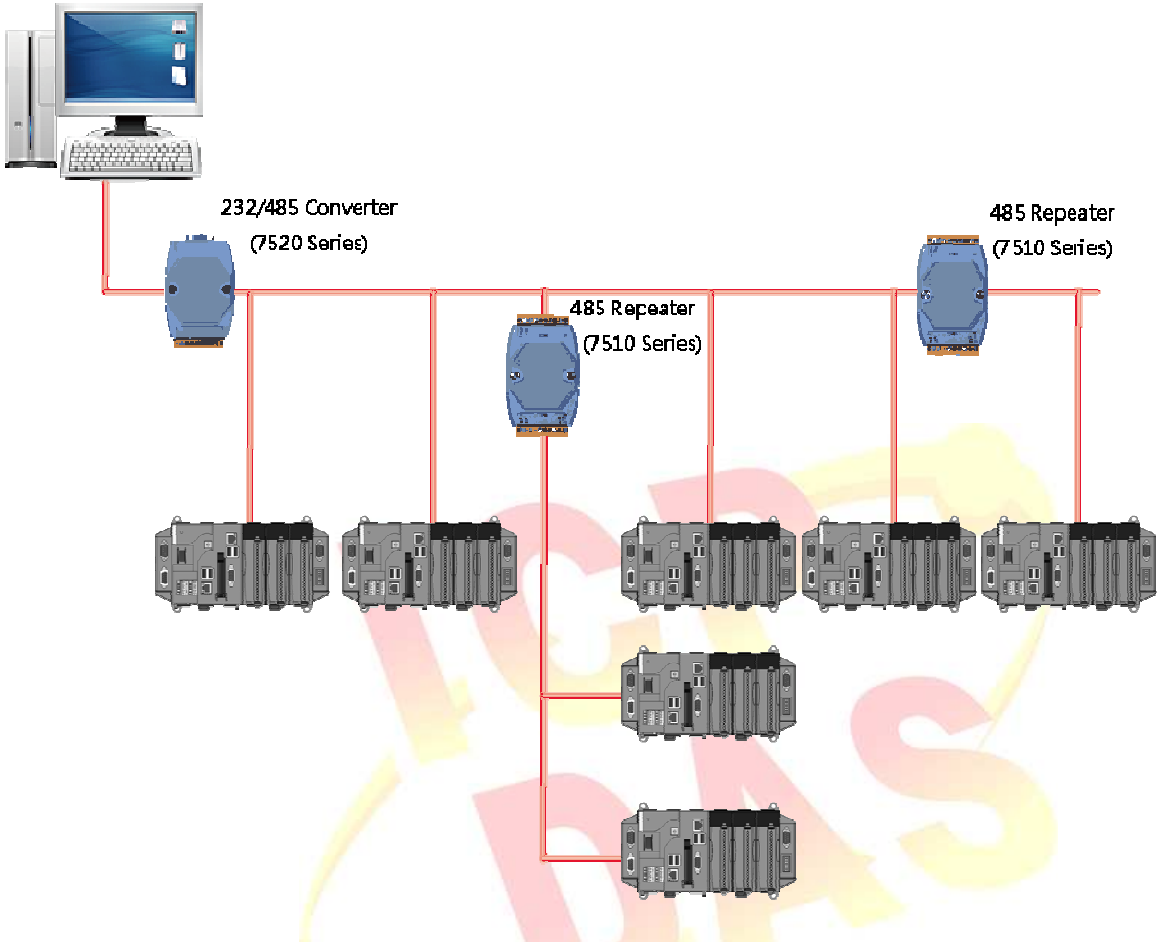
There are branches along the main network. In this case, it is better to have a repeater to isolate or filter the noise that is made by devices.



Classification	System and Application FAQ on XPAC				No.	1-006-01	
Author	Weikai	Version	1.0.0	Date	2010/4/11	Page	9/10

4. Random RS-485 Network.

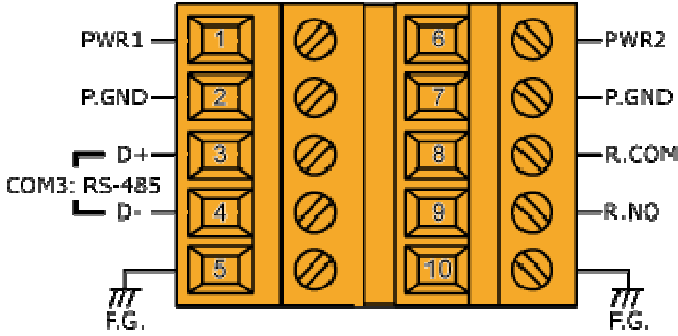
There are branches along the main wire. In this case, it is better to have a repeater to isolate or filter the noise that is made by devices



To link serial devices through RS-485 of COM3/COM4, please perform the following steps:

COM3 hardware connection

Step 1: Find the pin of Data+ Data- on COM3

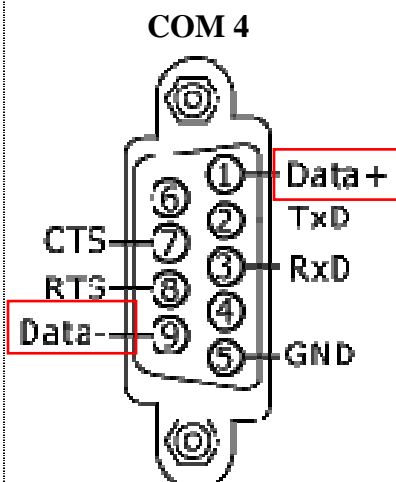


Step 2: Connect the “Data+” and “Data-”. (Example below)

Classification	System and Application FAQ on XPAC				No.	1-006-01	
Author	Weikai	Version	1.0.0	Date	2010/4/11	Page	10/10

COM4 hardware connection

Step 1: Find the pin of Data+ Data- on COM4.



Step 2: Connect the “Data+” and “Data-”. (Example below)

