

Features

- x86 CPU, 1 GHz, dual-core
- Windows CE 6.0
- Hard Real-Time Capability
- Rich I/O Expansion Ability (RS-232/RS-485, FRnet,CAN)
- VGA Port Output
- Support eLogger HMI
- Redundant Power Inputs
- Operating Temperature: -25°C to +75°C



Introduction

XP-8x31-CE6 Series is the new generation Windows CE 6.0 based PACs of ICP DAS. It is equipped with a x86 CPU (1 GHz) dual-core, various connectivity (VGA, USB, Ethernet, RS-232/485) and 0/1/3/7 I/O slot(s) for high performance parallel I/O modules (high profile I-8K Series) and serial I/O modules (high profile I-87K series).

The benefits of running Windows CE 6.0 on XP-8x31-CE6 include hard real-time capability, small core size, fast boot speed, interrupt handling at a deeper level and achievable deterministic control. XPAC is also capable of running PC-based control software such as Visual Basic .NET, Visual C#,.... etc. It has all of the best features of both traditional PLCs and Windows capable PCs.

For software copy protection, programmers can design software based on the 64-bit hardware serial number for making software copy protected.

Windows CE6

Windows CE 6 is a compact and real-time OS used to quickly create time critical and high performance applications. With Windows CE 6, users can use familiar tools (VS .NET 2005/2008) to develop software. Its kernel architecture supports significantly more simultaneously running processes, from 32 up to 32,000 simultaneous processes, each of which can run in a 2 GB virtual memory address space. This allows developers to incorporate larger numbers of more complex applications into the XP-8x31-CE6.



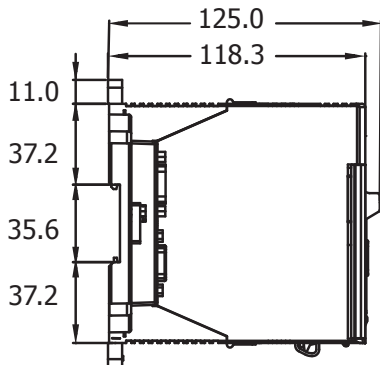
- FTP Server
- Web Server
- SQL Compact Edition 3.5
- .NET Compact Framework 3.5

Specifications

| Models | XP-8031-CE6 | XP-8131-CE6 | XP-8331-CE6 | XP-8731-CE6 |
|--------------------------------------|--|--|-------------------------|------------------------|
| System Software | | | | |
| OS | Windows CE 6.0 | | | |
| .Net Compact Framework | 3.5 | | | |
| Embedded Service | FTP Server, ASP (Java Script, VB Script), SQL Compact Edition 3.5 | | | |
| SDK Provided | DII for Visual Studio .Net 2005/2008 | | | |
| Multilanguage Support | English, German, French, Spanish, Russian, Italian, Czech, Japanese, Korean, Simplified Chinese, Traditional Chinese | | | |
| CPU Module | | | | |
| CPU | x86 CPU, 1 GHz, dual-core | | | |
| System Memory | 2 GB DDR3 | | | |
| MRAM | Non-volatile Memory, 512 KB (retain memory without battery support) | | | |
| Flash | 32 GB | | | |
| EEPROM | 16 KB | | | |
| CF Card | 8 GB (support up to 32 GB) | | | |
| RTC (Real Time Clock) | Provide second, minute, hour, date, day of week, month, year | | | |
| LED Indicator | 2 | | | |
| Hardware Serial Number | Yes, 64-bit Hardware Serial Number for Software Copy Protection | | | |
| Dual Watchdog Timers | Yes | | | |
| Rotary Switch | Yes (0 to 9) | | | |
| DIP Switch | - | Yes (8 bits) | | |
| Audio | Microphone-In and Earphone-Out | | | |
| VGA & Communication Ports | | | | |
| VGA | Yes, (resolution: 1024 x 768, 800 x 600 , 640 x 480) | | | |
| Ethernet (Giga bit) | RJ-45 x 2, 10/100/1000 Base-T (Auto-negotiating, Auto MDI/MDI-X, LED indicators) | | | |
| USB 2.0 | 4 | | | |
| COM 1 | RS-232 (RxD, TxD and GND); non-isolated | Internal communication with the high profile I-87K series modules in slots | | |
| COM 2 | RS-232 (RxD, TxD and GND); non-isolated | | | |
| COM 3 | RS-485 (Data+, Data-) with internal self-tuner ASIC; 3000 VDC isolated | | | |
| COM 4 | RS-232/RS-485 (RxD, TxD, CTS, RTS, GND for RS-232, Data+, Data- for RS-485); non-isolated | | | |
| COM 5 | RS-232 (RxD, TxD, CTS, RTS, DSR, DTR, CD, RI and GND); non-isolated | | | |
| No. of I/O Expansion Slots | 0 | 1 | 3 | 7 |
| Mechanical | | | | |
| Dimensions (W x L x H) | 137 x 132 x 125 mm | 169 x 132 x 125 mm | 231 x 132 x 125 mm | 355 x 132 x 125 mm |
| Installation | DIN-Rail or Wall Mounting | | | |
| Environmental | | | | |
| Operating Temperature | -25 to +75°C | | | |
| Storage Temperature | -30 to +80°C | | | |
| Ambient Relative Humidity | 10 to 90% RH, non-condensing | | | |
| Power | | | | |
| Input Range | +10 to +30 VDC | | | |
| Isolation | 1 kV | | | |
| Redundant Power Inputs | Yes, with one power relay (1 A @ 24 VDC) for alarm | | | |
| Capacity | 20 W | 20 W | 30 W | 35 W |
| Consumption | 12W (0.5 A @ 24 VDC) | 16.6 W (0.69 A @ 24 VDC) | 16.8 W (0.7 A @ 24 VDC) | 18 W (0.75 A @ 24 VDC) |

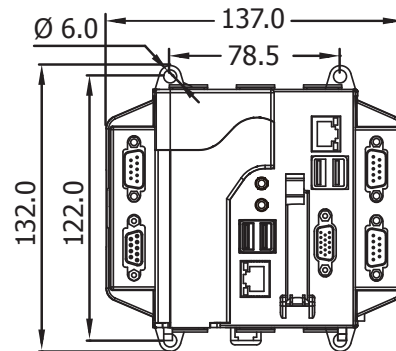
■ Dimensions

Side View



Front View

XP-8031-CE6

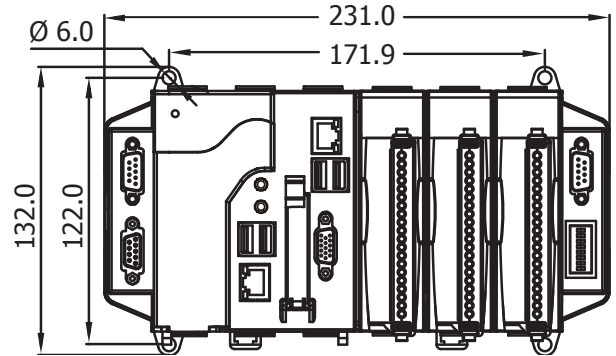
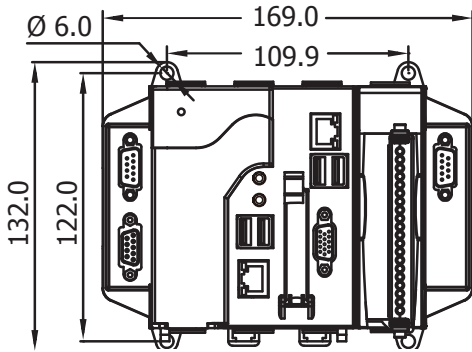


Front View

XP-8131-CE6

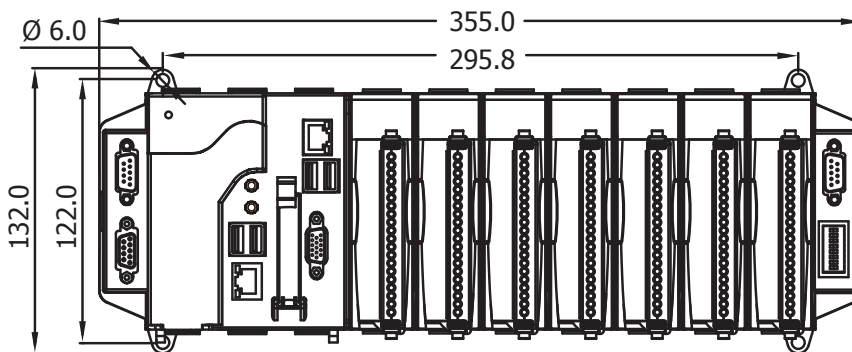
Front View

XP-8331-CE6



Front View

XP-8731-CE6



■ Ordering Information

| | |
|--------------------|---|
| XP-8031-CE6 | Standard XP-8000-CE6 with x86 CPU, Windows CE6 OS, and 1 I/O Slot (RoHS) |
| XP-8131-CE6 | Standard XP-8000-CE6 with x86 CPU, Windows CE6 OS, and 1 I/O Slot (RoHS) |
| XP-8331-CE6 | Standard XP-8000-CE6 with x86 CPU, Windows CE6 OS, and 3 I/O Slots (RoHS) |
| XP-8731-CE6 | Standard XP-8000-CE6 with x86 CPU, Windows CE6 OS, and 7 I/O Slots (RoHS) |