



Features

- XP-8x41: LX800 CPU (32-bit and 500 MHz)
XP-8x41-Atom: Atom Z520 CPU (1.33 GHz)
- Windows Embedded Standard 2009
- Hard Real-Time Capability
- Rich I/O Expansion Ability (RS-232/RS-485, FRnet, CAN)
- VGA Port Output
- Support eLogger HMI
- Redundant Power Inputs
- Operating Temperature: -25 ~ +75°C



XP-8x41/XP-8x41-Atom Series

Introduction

XP-8x41/XP-8x41-Atom is the new generation Windows Embedded Standard 2009 based PACs of ICP DAS. It is equipped with a AMD LX800 CPU (32-bit and 500 MHz)/Intel Atom Z520 CPU (1.33 GHz), various connectivity (VGA, USB, Ethernet, RS-232/485) and 0/1/3/7 I/O slot(s) for high performance parallel I/O modules (high profile I-8K series) and serial I/O modules (high profile I-87K series). The benefits of running Windows Embedded Standard 2009 include

- Enhanced Write Filter (EWF): Protects disk against improper disk write operations.
- Same Win32 API: Makes developing applications just like Windows XP Professional developers do.

This makes almost every PC-based program can be easily ported to XP-8x41/XP-8x41-Atom and effectively reduces the system development efforts and shortens the time to market.

For software copy protection, programmers can design software based on the 64-bit hardware serial number for making software copy protected.

Windows Embedded Standard OS

Most of the popular features in Windows software are included, such as EWF (Enhanced Write Filter), Remote Desktop Connection, IIS, ASP/ASP.NET, SQL Server 2005 Express Edition, .NET Framework 3.5 and also supports rich development software solutions, such as VS 6.0, VS.NET 2005/2008, VB, Delphi, BCB, InduSoft.



The key features are

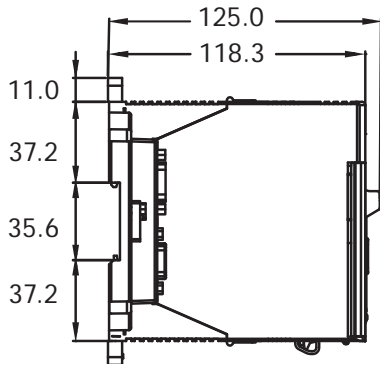
- Full Win32 API
- Remote Desktop Protocol 5.1
- Silverlight 4.0
- Enhanced Write Filter
- MS SQL Server 2008 R2 Express
- Microsoft .NET Framework 3.5

Specifications

Models	XP-8041	XP-8341	XP-8741	XP-8141-Atom	XP-8341-Atom	XP-8741-Atom
System Software						
OS	Windows Embedded Standard 2009					
.Net Compact Framework	3.5					
Embedded Service	FTP Server, Internet Information Service 5.1, ASP (Java Script, VB Script), SQL Server 2005 Express					
SDK Provided	DII for VC, VB, Delphi, BCB, Visual Studio .NET 2005/2008					
Multi-Language Support	English, German, French, Spanish, Russian, Italian, Czech, Japanese, Korean, Simplified Chinese, Traditional Chinese					
CPU Module						
CPU	LX800 CPU (32-bit and 500 MHz)			Z520 CPU (1.33 GHz)		
System Memory	1 GB DDR SDRAM			1 GB DDR2 SDRAM		
Dual Battery Backup SRAM	512 KB; data valid up to 5 years					
Flash	4 GB			16 GB		
EEPROM	16 KB					
CF Card	8 GB (support up to 32 GB)					
RTC (Real Time Clock)	Provide second, minute, hour, date, day of week, month, year					
Programmable LED Indicator	-			2		
Hardware Serial Number	Yes, 64-bit hardware serial number for Software Copy Protection					
Dual Watchdog Timers	Yes					
Rotary Switch	Yes (0 to 9)					
DIP Switch	-	Yes (8 bits)				
Audio	-			Microphone-In and Earphone-Out		
VGA & Communication Ports						
VGA Resolution	1024 x 768, 800 x 600, 640 x 480					
Ethernet	RJ-45 x 2, 10/100 Base-TX (Auto-negotiating, Auto MDI/MDI-X, LED indicators)			RJ-45 x 2, 10/100/1000 Base-T (Auto-negotiating, Auto MDI/MDI-X, LED indicators)		
USB 2.0	2			4		
COM 1	RS-232 (RxD, TxD and GND); non-isolated	Internal communication with the high profile I-87K series modules in slots				
COM 2	RS-232 (RxD, TxD and GND); non-isolated					
COM 3	RS-485 (Data+, Data-) with internal self-tuner ASIC; 3000 V _{DC} isolated					
COM 4	RS-232/RS-485 (RxD, TxD, CTS, RTS and GND for RS-232, Data+ and Data- for RS-485); non-isolated					
COM 5	RS-232 (RxD, TxD, CTS, RTS, DSR, DTR, CD, RI and GND); non-isolated					
I/O Expansion Slots						
Slot Number	0	3	7	1	3	7
Mechanical						
Dimensions (W x L x H), unit : mm	137 x 132 x 125	231 x 132 x 125	355 x 132 x 125	169 x 132 x 125	231 x 132 x 125	355 x 132 x 125
Installation	DIN-Rail or Wall Mounting					
Environmental						
Operating Temperature	-25 to +75°C					
Storage Temperature	-30 to +80°C					
Ambient Relative Humidity	10 to 90% RH, non-condensing					
Power						
Input Range	+10 to +30 V _{DC}					
Isolation	1 kV					
Redundant Power Inputs	Yes, with one power relay (1 A @ 24 V _{DC}) for alarm					
Capacity	15 W	35 W		25 W	35 W	
Consumption	14.4 W		16.8 W	16.6 W	16.8 W	18 W

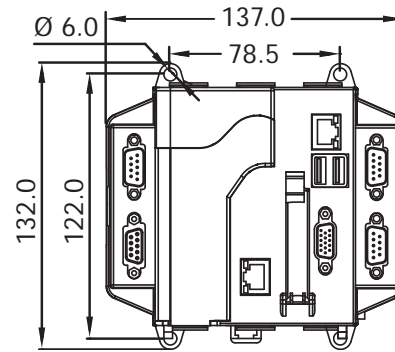
Dimensions

Side View



Front View

XP-8041

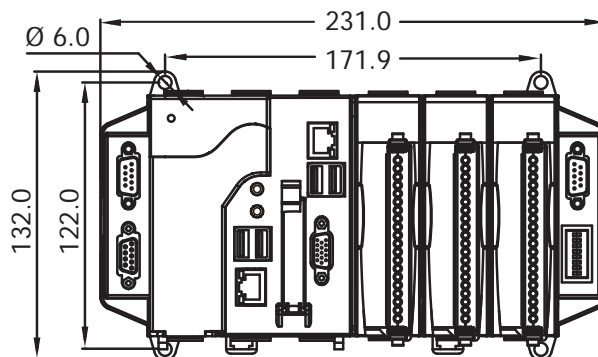
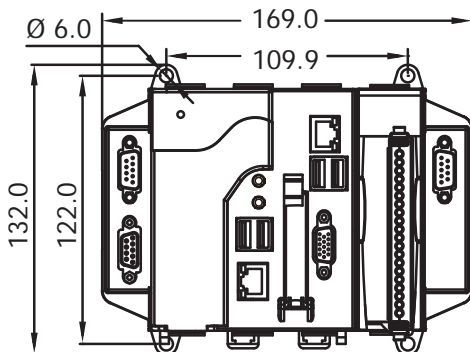


Front View

XP-8141-Atom

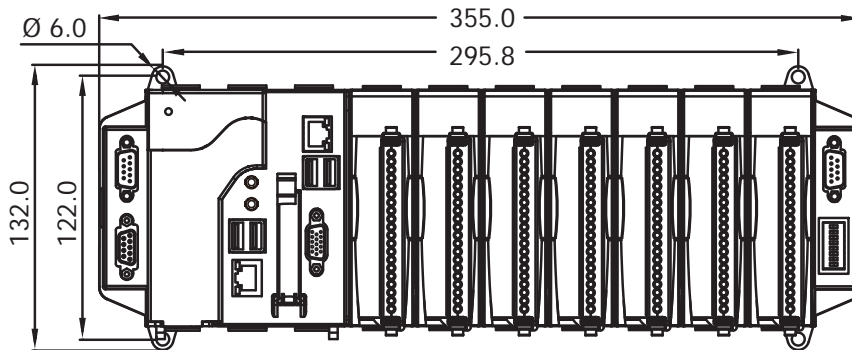
Front View

XP-8341/XP-8341-Atom



Front View

XP-8741/XP-8741-Atom



XP-8x41/XP-8x41-Atom Series

Ordering Information

XP-8041-EN CR	Standard XP-8000 with LX800 CPU, WES 2009 OS (Multilingual Version of OS) (RoHS)
XP-8341-EN CR	Standard XP-8000 with LX800 CPU, WES 2009 OS, and 3 I/O Slots (Multilingual Version of OS) (RoHS)
XP-8741-EN CR	Standard XP-8000 with LX800 CPU, WES 2009 OS, and 7 I/O Slots (Multilingual Version of OS) (RoHS)
XP-8041-TC CR	Standard XP-8000 with LX800 CPU, WES 2009 OS (Traditional Chinese Version of OS) (RoHS)
XP-8341-TC CR	Standard XP-8000 with LX800 CPU, WES 2009 OS, and 3 I/O Slots (Traditional Chinese Version of OS) (RoHS)
XP-8741-TC CR	Standard XP-8000 with LX800 CPU, WES 2009 OS, and 7 I/O Slots (Traditional Chinese Version of OS) (RoHS)
XP-8141-Atom CR	Standard XP-8000-Atom with Atom Z520 CPU, WES 2009 OS and 1 I/O Slot (Multilingual Version of OS) (RoHS)
XP-8341-Atom CR	Standard XP-8000-Atom with Atom Z520 CPU, WES 2009 OS and 3 I/O Slots (Multilingual Version of OS) (RoHS)
XP-8741-Atom CR	Standard XP-8000-Atom with Atom Z520 CPU, WES 2009 OS and 7 I/O Slots (Multilingual Version of OS) (RoHS)