



Features

- XP-8x41-CE6: LX800 CPU (32-bit and 500 MHz)
XP-8x41-Atom-CE6: Atom Z510 CPU (1.1 GHz)
- Windows CE 6.0
- Hard Real-Time Capability
- Rich I/O Expansion Ability (RS-232/RS-485, FRnet,CAN)
- VGA Port Output
- Support eLogger HMI
- Redundant Power Inputs
- Operating Temperature: -25 ~ +75°C



Introduction

XP-8x41-CE6/XP-8x41-Atom-CE6 is the new generation Windows CE 6.0 based PACs of ICP DAS. It is equipped with a AMD LX800 CPU (32-bit and 500 MHz)/Intel Atom Z510 CPU (1.1 GHz), various connectivity (VGA, USB, Ethernet, RS-232/485) and 0/1/3/7 I/O slot(s) for high performance parallel I/O modules (high profile I-8K Series) and serial I/O modules (high profile I-87K series). The benefits of running Windows CE 6.0 on XP-8x41-CE6/XP-8x41-Atom-CE6 include hard real-time capability, small core size, fast boot speed, interrupt handling at a deeper level and achievable deterministic control. XPAC is also capable of running PC-based control software such as Visual Basic .NET, Visual C#,.... etc. It has all of the best features of both traditional PLCs and Windows capable PCs.

For software copy protection, programmers can design software based on the 64-bit hardware serial number for making software copy protected.

Windows CE6

Windows CE 6 is a compact and real-time OS used to quickly create time critical and high performance applications. With Windows CE 6, users can use familiar tools (VS .NET 2005/2008) to develop software. Its kernel architecture supports significantly more simultaneously running processes, from 32 up to 32,000 simultaneous processes, each of which can run in a 2 GB virtual memory address space. This allows developers to incorporate larger numbers of more complex applications into the XP-8x41-CE6/XP-8x41-Atom-CE6.



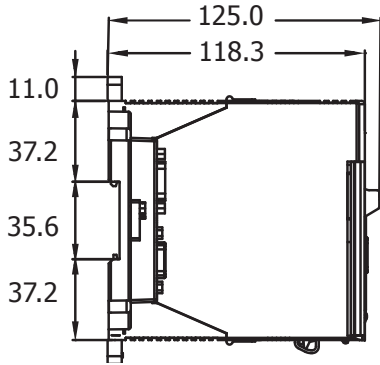
- FTP Server
- Web Server
- SQL Compact Edition 3.5
- .NET Compact Framework 3.5

Specifications

Models	XP-8141-CE6	XP-8341-CE6	XP-8741-CE6	XP-8141-Atom-CE6	XP-8341-Atom-CE6	XP-8741-Atom-CE6
System Software						
OS	Windows CE 6.0					
.Net Compact Framework	3.5					
Embedded Service	FTP Server, ASP (Java Script, VB Script), SQL Compact Edition 3.5					
SDK Provided	DII for Visual Studio .Net 2005/2008					
Multilanguage Support	English, German, French, Spanish, Russian, Italian, Czech, Japanese, Korean, Simplified Chinese, Traditional Chinese					
CPU Module						
CPU	LX800 CPU(32-bit and 500 MHz)			Z510 CPU (1.1 GHz)		
System Memory	512 MB DDR SDRAM			512 MB DDR2 SDRAM		
Dual Battery Backup SRAM	512 KB; data valid up to 5 years					
Flash	4 GB			8 GB		
EEPROM	16 KB					
CF Card	2 GB (support up to 32 GB)					
RTC (Real Time Clock)	Provide second, minute, hour, date, day of week, month, year					
Programmable LED Indicator	-			2		
Hardware Serial Number	Yes, 64-bit hardware serial number for Software Copy Protection					
Dual Watchdog Timers	Yes					
Rotary Switch	Yes (0 to 9)					
DIP Switch	-	Yes (8 bits)				
Audio	-	Microphone-In and Earphone-Out				
VGA & Communication Ports						
VGA	Yes, (resolution: 1024 x 768, 800 x 600 , 640 x 480)					
Ethernet	RJ-45 x 2, 10/100 Base-TX (Auto-negotiating, Auto MDI/MDI-X, LED indicators)			RJ-45 x 2, 10/100/1000 Base-T (Auto-negotiating, Auto MDI/MDI-X, LED indicators)		
USB 2.0	2			4		
COM 1	RS-232 (RxD, TxD and GND); non-isolated	Internal communication with the high profile I-87K series modules in slots				
COM 2	RS-232 (RxD, TxD and GND); non-isolated					
COM 3	RS-485 (Data+, Data-) with internal self-tuner ASIC; 3000 V _{DC} isolated					
COM 4	RS-232/RS-485 (RxD, TxD, CTS, RTS and GND for RS-232, Data+ and Data- for RS-485); non-isolated					
COM 5	RS-232 (RxD, TxD, CTS, RTS, DSR, DTR, CD, RI and GND); non-isolated					
I/O Expansion Slots						
Slot Number	0	3	7	1	3	7
Mechanical						
Dimensions (W x L x H), unit : mm	137 x 132 x 125	231 x 132 x 125	355 x 132 x 125	169 x 132 x 125	231 x 132 x 125	355 x 132 x 125
Installation	DIN-Rail or Wall Mounting					
Environmental						
Operating Temperature	-25 to +75°C					
Storage Temperature	-30 to +80°C					
Ambient Relative Humidity	10 to 90% RH, non-condensing					
Power						
Input Range	+10 to +30 V _{DC}					
Isolation	1 kV					
Redundant Power Inputs	Yes, with one power relay (1 A @ 24 V _{DC}) for alarm					
Capacity	15 W	35 W	35 W	25 W	35 W	35 W
Consumption	14.4 W	14.4 W	16.8 W	16.6 W	16.8 W	18 W

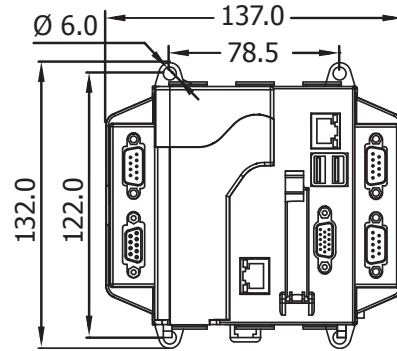
Dimensions

Side View



Front View

XP-8041-CE6

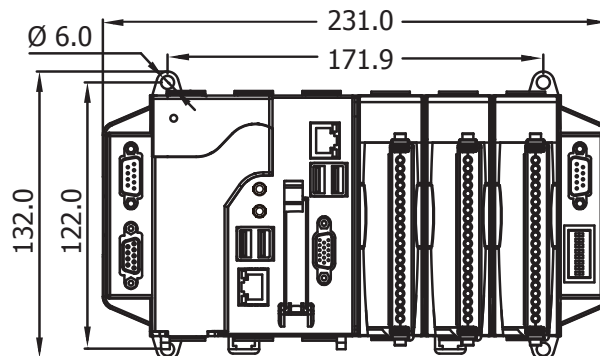
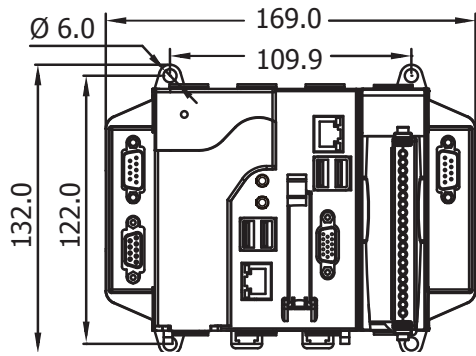


Front View

XP-8141-CE6

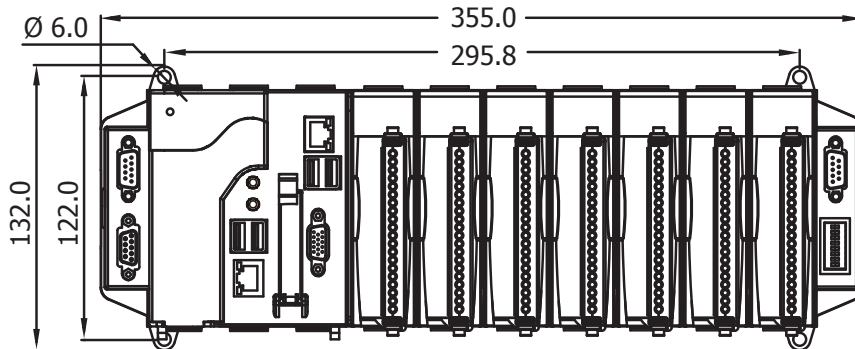
Front View

XP-8341-CE6/XP-8341-Atom-CE6



Front View

XP-8431-CE6/XP-8431-Atom-CE6



XP-8x41-CE6/XP-8x41-Atom-CE6 Series

Ordering Information

XP-8041-CE6	Standard XP-8000-CE6 with LX800 CPU, Windows CE6 OS (RoHS)
XP-8341-CE6	Standard XP-8000-CE6 with LX800 CPU, Windows CE6 OS, and 3 I/O Slots (RoHS)
XP-8741-CE6	Standard XP-8000-CE6 with LX800 CPU, Windows CE6 OS, and 7 I/O Slots (RoHS)
XP-8141-Atom-CE6	Standard XP-8000-CE6 with Atom Z510 CPU, Windows CE6 OS, and 1 I/O Slot (RoHS)
XP-8341-Atom-CE6	Standard XP-8000-CE6 with Atom Z510 CPU, Windows CE6 OS, and 3 I/O Slots (RoHS)
XP-8741-Atom-CE6	Standard XP-8000-CE6 with Atom Z510 CPU, Windows CE6 OS, and 7 I/O Slots (RoHS)