



WP-2641M-CE7

Standard PAC with Quad-core Cortex-A9 CPU, WinCE 7.0,
1 I/O Bus, Matel Case

Features

- Quad-core Cortex-A9, 1 GHz/Core CPU
- Windows CE 7.0 Professional
- 1 GB DDR3 RAM and 8 GB eMMC Flash
- 64-bit Hardware Serial Number
- Hard Real-Time Capability (RTC)
- I/O Expansion Bus
- 10/100/1000M Dual Ethernet Ports
- 4 Serial Ports (RS-232/485)
- Operating Temperature: -25 to +75 ° C



Introduction

The WP-2641M-CE7 are equipped Quad-core Cortex-A9 CPU (1 GHz/Core) and running a windows CE.NET 7.0 operating system. The optional I/O expansion board, XV-board, provides high-protection I/O. Using the built-in Flash and microSD, the WP-2641M-CE7 can save application program, image file and data.

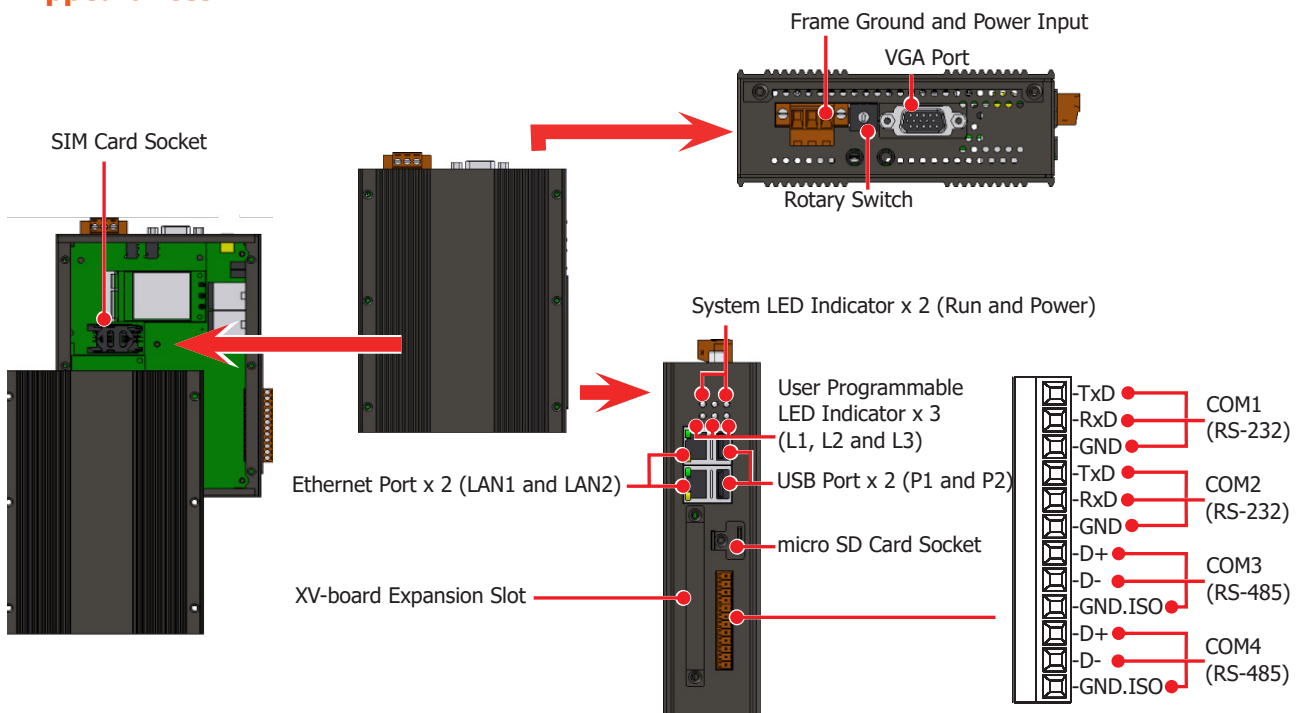
Windows CE 7.0



Windows CE 7.0 is a compact and real-time OS used to quickly create time critical and high performance applications. Using Windows CE 7.0 gives an ability to run PC-based control software such as Visual Basic .NET, Virtual C#.

- FTP Server
- Web Server
- SQL Compact Edition 3.5
- .NET Compact Framework 3.5
- Virtual CE Pro (VCEP)

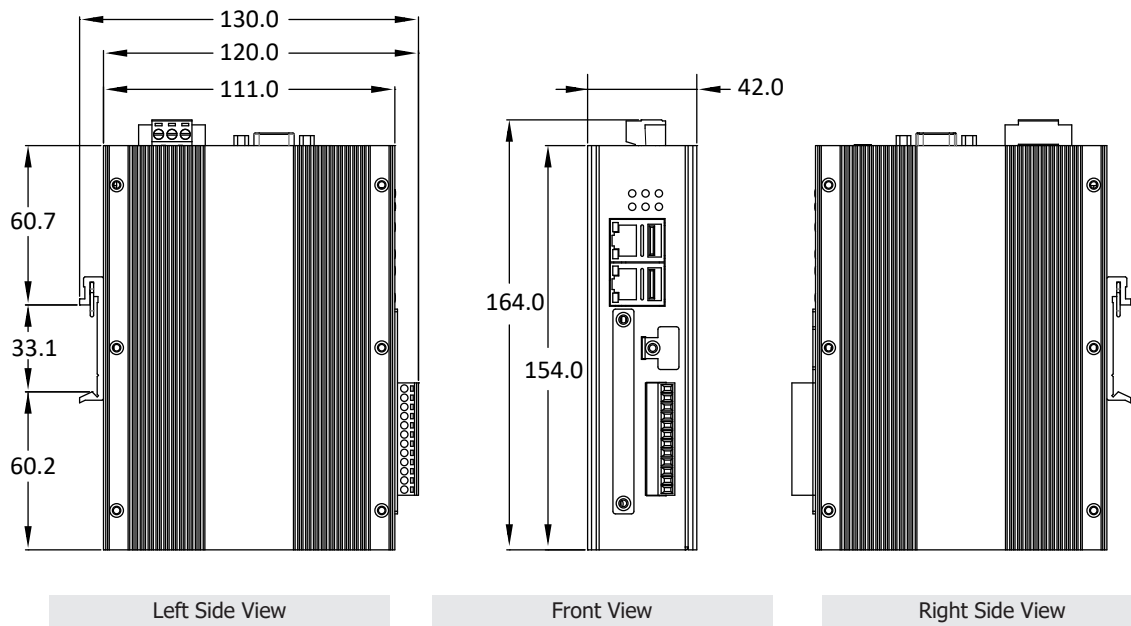
Appearances



Specifications

Model	WP-2641M-CE7
System Software	
OS	Windows CE 7.0 Professional
.Net Compact Framework	3.5
Embedded Service	FTP server, Web server
SDK Provided	DII for Visual Studio.Net 2008
Multilanguage Support	English, German, French, Spanish, Russian, Italian, Korean, Simplified Chinese, Traditional Chinese
CPU Module	
CPU	Quad-core Cortex-A9, 1GHz/Core CPU
SDRAM	1GB DDR3
Flash	8 GB eMMC
MRAM	128 KB
FRAM	64 KB
SD Card	microSD socket with one microSD card (support up to 32 GB microSDHC card)
RTC (Real Time Clock)	Provide second, minute, hour, date, day of week, month, year
Hardware Serial Number	Yes, 64-bit hardware serial number for software copy protection
Dual Watchdog Timer	Yes
LED Indicator	3 LED indicators for Power and Running; 3 LED for user defined
Rotary Switch	Yes (0 to 9)
VGA & Communication Ports	
VGA Resolution	640 × 480, 800 × 480, 800 × 600, 1024 × 768
Ethernet	RJ-45 x 2, 10/100/1000 Based-TX (Auto-negotiating, Auto MDI/MDI-X, LED indicators)
USB 2.0 (host)	2
COM 1	RS-232 (RxD, TxD and GND); Non-isolated
COM 2	RS-232 (RxD, TxD and GND); Non-isolated
COM 3	RS-485 (Data+, Data-); 2500 VDC isolated
COM 4	RS-485 (Data+, Data-); 2500 VDC isolated
I/O Expansion	
I/O Expansion Bus	One optional XV-board
Mechanical	
Casing	Metal
Dimensions (W x L x H)	35 mm x 167 mm x 119 mm
Installation	DIN-Rail Mounting
Environmental	
Operating Temperature	-25 to +75 °C
Storage Temperature	-40 to +80 °C
Ambient Relative Humidity	10 to 90% RH (non-condensing)
Power	
Input Range	+12 to +48 VDC
Consumption	4.8 W (0.2 A @ 24 VDC)

■ Dimensions (Units: mm)



■ Ordering Information

WP-2641M-CE7	Standard PAC with Quad-core Cortex-A9 CPU, WinCE 7.0, and 1 I/O Bus, Matel Case (RoHS)
---------------------	--

■ Accessories

XV-Board	Add-on I/O Expansion Board
-----------------	----------------------------