



I-9048

8-channel Digital Input with Interrupt Module

Features

- Isolated or Non-isolated TTL Input Jumper Selectable
- Rising/Falling-edge Interrupts Programmable
- Supports Slot0, Slot1, Slot2, or Slot3 only
- Channel Status LED Indicators
- 4 kV ESD Protection
- 1500 VDC Intra-module Isolation
- Wide Operating Temperature Range: -25 ~ +75 °C



Introduction

The I-9048 is an 8-channel digital input module with hardware interrupt capability for real-time system application. Each channel can be programmed as an interrupt input channel to invoke an interrupt on falling edges, rising edges or both falling and rising edges.

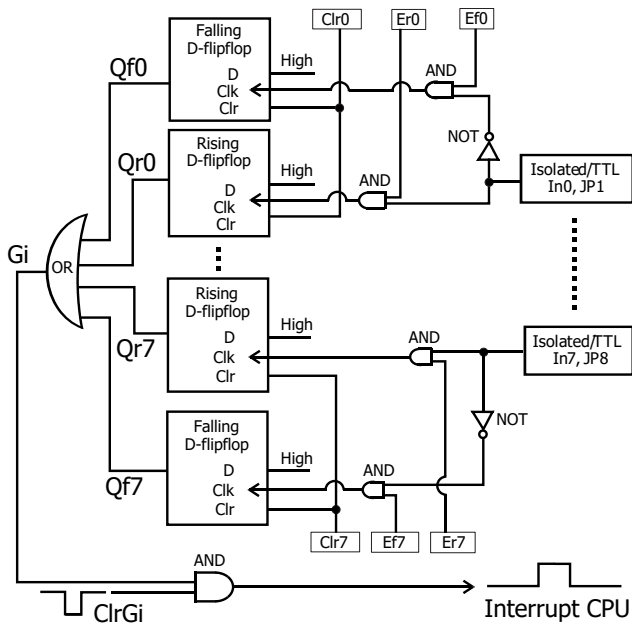
System Specifications

LED Display	
System LED Indicator	1 LED as Power Indicator
I/O LED Indicator	8 LEDs as Digital Input Indicators
Isolation	
Intra-module Isolation, Field-to-Logic	1500 VDC
EMS Protection	
ESD (IEC 61000-4-2)	±4 kV Contact for each Terminal ±8 kV Air for Random Point
Power	
Power Consumption	1.75 W Max.
Mechanical	
Dimensions (W x L x H)	31 mm x 134 mm x 144 mm
Environment	
Operating Temperature	-25 ~ +75 °C
Storage Temperature	-40 ~ +85 °C
Humidity	10 ~ 90% RH, Non-condensing

I/O Specifications

Digital Input		
Channels	8	
Sink/Source (NPN/PNP)	Sink/Source	
Output Type	Dry, Wet Contact	
Isolated	On Voltage Level	+4 V ~ +30 V
	Off Voltage Level	0 V ~ +1 V
Non-Isolated TTL	On Voltage Level	0 V ~ +0.8 V
	Off Voltage Level	+2 V ~ +5 V
Input Impedance	2.4 KΩ, 0.5 W	
Built-in Isolated Power Supply	200 mA @ 5 V	

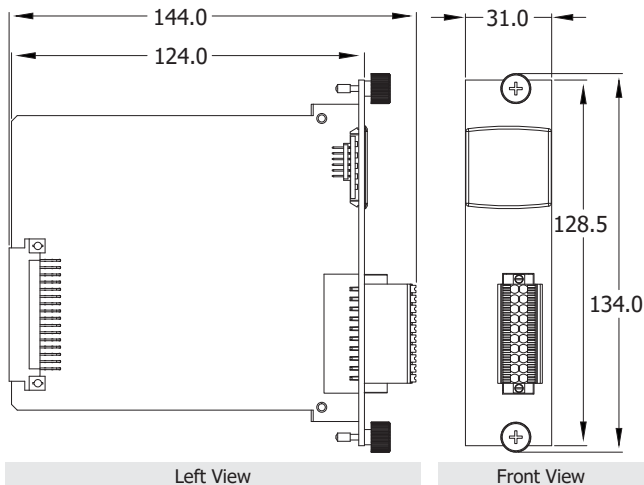
Internal I/O Structure



Pin Assignments

Pin Assignment	Terminal No.	Pin Assignment
GND	01	11 GND
IN0+	02	12 IN0-
IN1+	03	13 IN1-
IN2+	04	14 IN2-
IN3+	05	15 IN3-
IN4+	06	16 IN4-
IN5+	07	17 IN5-
IN6+	08	18 IN6-
IN7+	09	19 IN7-
E5V	10	20 EGND

Dimensions (Units: mm)



Wire Connections

Isolated		
Input Type	ON State LED ON Readback as 1	ON State LED OFF Readback as 0
Relay Contact	Relay ON	Relay OFF
TTL/CMOS Logic	Voltage > 4 V	Voltage < 4 V
NPN Output	Open Collector ON	Open Collector OFF
PNP Output	Open Collector ON	Open Collector OFF

Non-Isolated		
Input Type	ON State LED ON Readback as 1	ON State LED OFF Readback as 0
Relay Contact	Relay ON	Relay OFF
TTL/CMOS Logic	Voltage > 4 V	Voltage < 4 V
Open Collector	Open Collector ON	Open Collector OFF

Ordering Information

I-9048 CR	8-channel Digital Input with Interrupt Module (RoHS)
------------------	--