



VP-2201-CE7/VP-3201-CE7
VP-4201-CE7/VP-5201-CE7/VP-6201-CE7

Standard ViewPAC (Windows CE.NET 7.0 Inside)

Features

- 7", 8.4", 10.4", 12.1" and 15" TFT LCD
- Cortex-A8 720 MHz/1 GHz CPU
- CE7 (Windows Embedded Compact 7)
- Hard Real-Time Capability
- Support eLogger HMI (free)
- PoE (Power over Ethernet)
- NEMA 4/IP65 Compliant Front Panel
- Ultra-Rugged Construction and Reliable Design
- Operating Temperature: -10 °C ~ +60 °C



Introduction

The VP-x201-CE7 are CE7 based ViewPAC that combine computing, I/O, and operator interface into a single unit, and provide the perfect solution for integrating HMI, data acquisition and control in an individual PAC. It is equipped with an Cortex-A8 CPU, TFT LCD and a variety of connectives including dual a Gigabit Ethernet, USB port, RS-232 and RS-485 interface. I/O expansion is available to use our Ethernet I/O modules and RS-485 I/O modules. Designed for panel mount installation, the front panel is NEMA 4/IP65 rated and can withstand sprayed water, humidity and extreme dust. Designed to operate over a wide -10°C ~ 60°C ambient temperature range, the fanless design offers the ultimate in reliability with no moving parts.

Windows Embedded Compact 7 is a componentized, hard real-time, high performance, and highly reliable operating system. CE7 delivers rich user experiences and a unique connection to Windows PCs, servers, services, and devices.

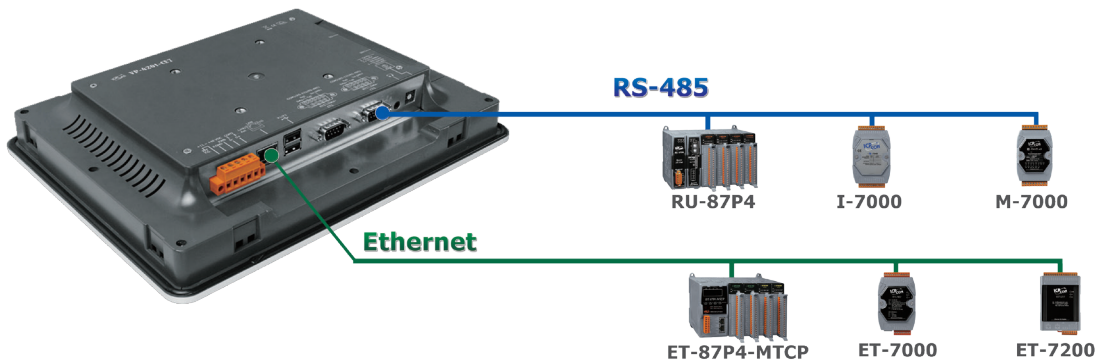
Windows Embedded Compact 7



Windows Embedded Compact 7 is a compact and hard real-time OS used to quickly create time critical and high performance applications. Using CE7 gives an ability to run PC-based control software such as Visual Basic .NET, Virtual C#, SCADA software, SoftPLC... etc.

- FTP Server
- Web Server
- SQL Compact Edition 3.5
- .NET Compact Framework 3.5
- Virtual CE Pro (VECP)

Applications

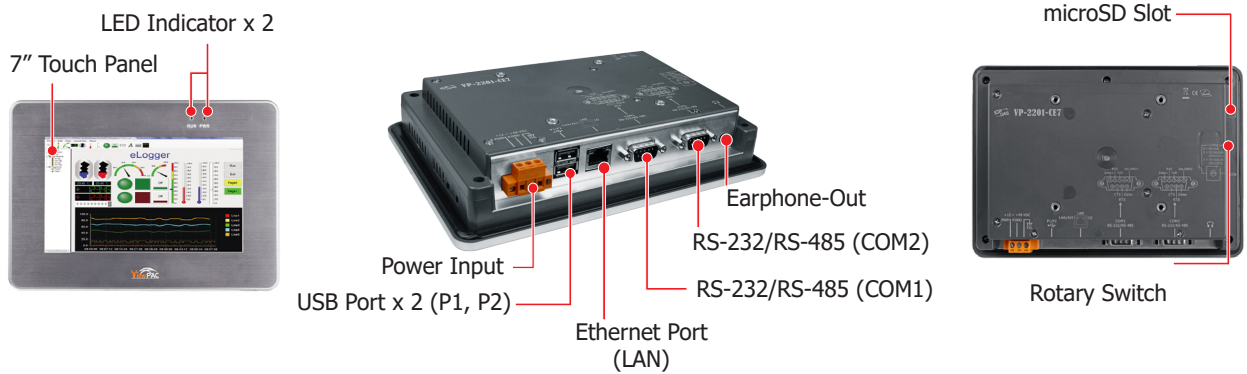


Specifications

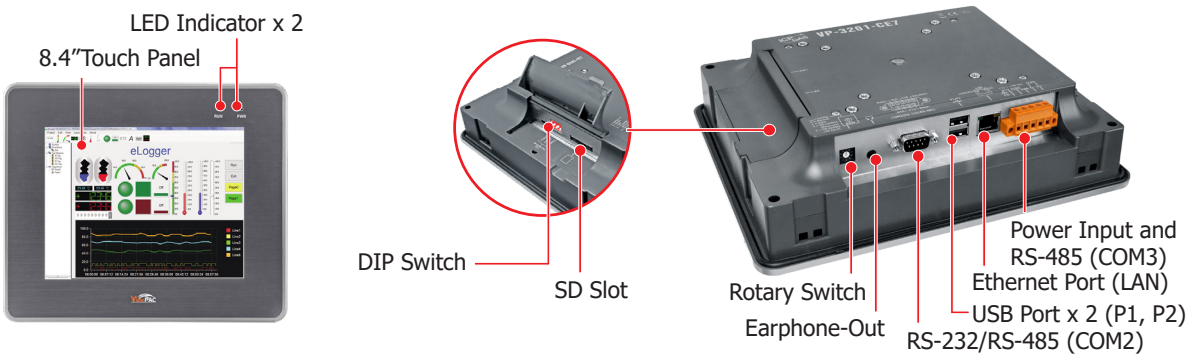
Models	VP-2201-CE7	VP-3201-CE7	VP-4201-CE7	VP-5201-CE7	VP-6201-CE7
Display					
Size	7" (16:9)	8.4" (4:3)	10.4" (4:3)	12.1" (4:3)	15" (4:3)
Resolution	800 x 480		800 x 600		1024 x 768
Touch Panel	Yes				
Brightness (cd/m ²)	400				
Contrast Ratio	500 : 1				
LED Backlight Life (hrs)	20,000	50,000			
Touch Panel	4-wire, resistive type; light transmission: 80 %	5-wire, resistive type; light transmission: 80 %			
System Software					
OS	Windows CE 7.0				
Framework Support	.NET Compact Framework 3.5				
Embedded Service	FTP server, Web server (supports VB script, JAVA script), SQL Compact Edition 3.5				
SDK Provided	DII for Visual Studio.Net				
Multilanguage Support	English, German, French, Spanish, Portuguese, Russian, Italian, Korean, Simplified Chinese, Traditional Chinese				
CPU Module					
CPU	Cortex-A8, 720 MHz	Cortex-A8, 1 GHz			
DRAM	512 MB DDR3				
MRAM	128 MB				
Flash (SSD)	256 MB				
EEPROM	16 KB				
Expansion Flash Memory	microSD slot with a 4 GB microSD card (support up to 32 GB)	SD slot with a 4 GB microSD card and a microSD adapter (support up to 32 GB)			
RTC (Real Time Clock)	Provide second, minute, hour, date, day of week, month, year				
64-bit Hardware Serial Number	Yes, for Software Copy Protection				
Dual Watchdog Timer	0.8 second				
Rotary Switch	0 ~ 9				
LED Indicator	2 (RUN, PWR)				
Communication Interface					
Ethernet	RJ-45 x 1, 10/100/1000 BASE-T				
USB 2.0 (host)	2				
COM 1	RS-232/RS-485; 2500 VDC isolated	-	RS-232/RS-485 (9-wire DB9 connector); 2500 VDC isolated		
COM 2	RS-232/RS-485 (9-wire DB9 connector); 2500 VDC isolated				
COM 3	-	RS-485 ; 2500 VDC isolated			
Audio	Earphone-out				
Mechanical					
Dimensions (WxHxD) Unit: mm	213 x 148 x 44	249 x 207 x 64	291 x 229 x 54	324 x 255 x 64	381 x 305 x 63
Panel Cut-Out (W x H)	197 x 133, +/- 1	235 x 193, +/- 1	277 x 215, +/- 1	310 x 241, +/- 1	362 x 286, +/- 1
Installation	Panel Mounting, VESA (75 x 75) Mounting				
Ingress Protection	Front panel: NEMA 4/IP65				
Environmental					
Operating Temperature	-10 °C ~ +60 °C				
Storage Temperature	-20 °C ~ +70 °C				
Ambient Relative Humidity	10 ~ 90 % RH (non-condensing)				
Power					
Input Range	+12 VDC ~ +48 VDC				
Power from PoE	IEEE 802.3af				
Isolation	-	1 kV			
Consumption	6 W	7.5 W	13 W	14 W	16 W

Appearance

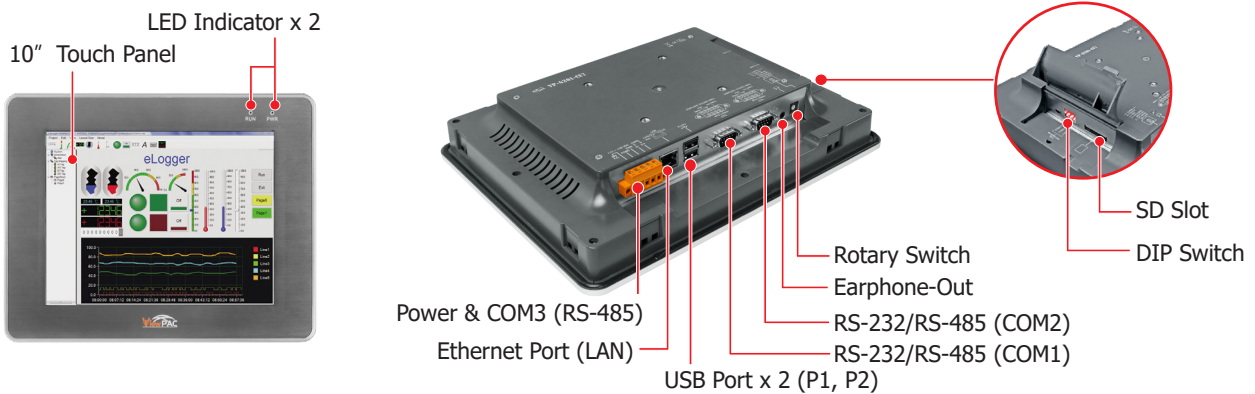
VP-2201-CE7



VP-3201-CE7

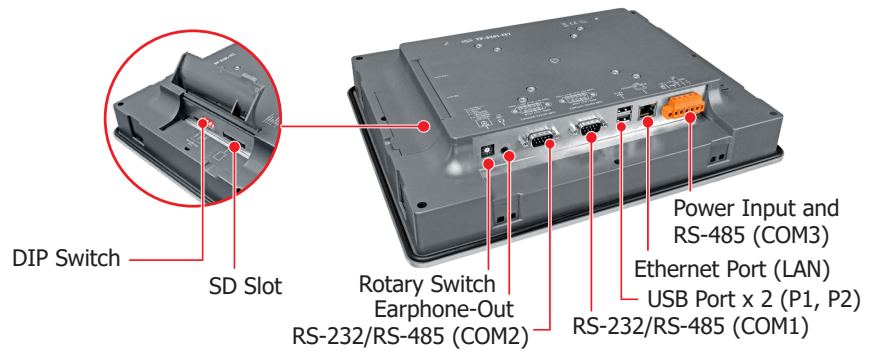
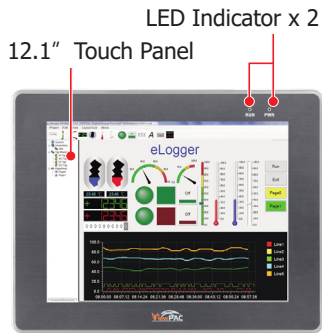


VP-4201-CE7

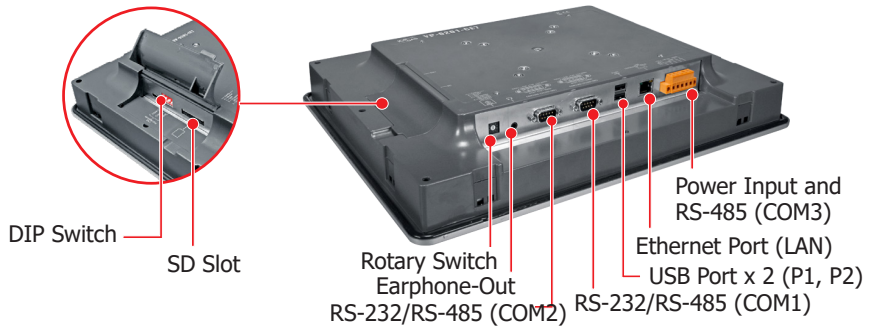
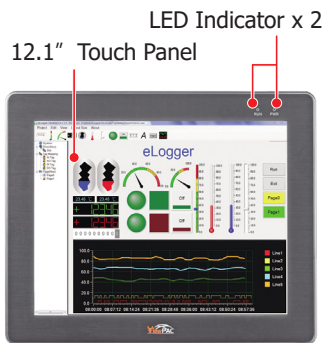


Appearance

VP-5201-CE7

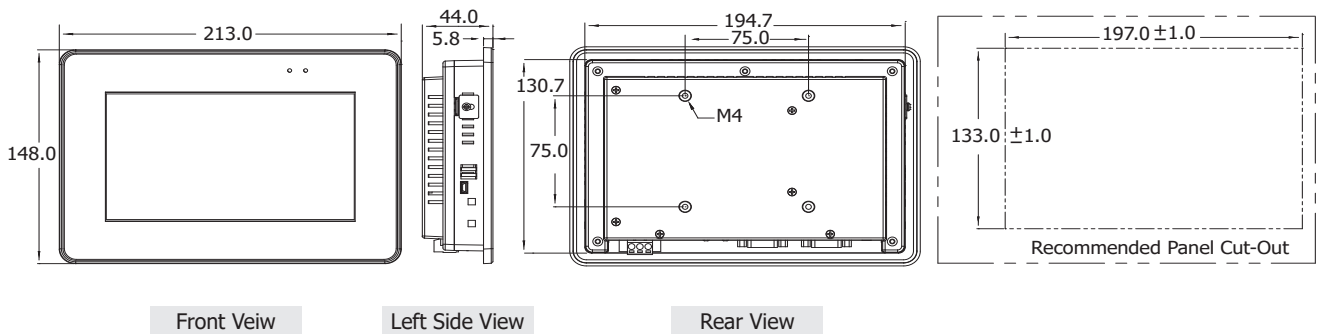


VP-6201-CE7

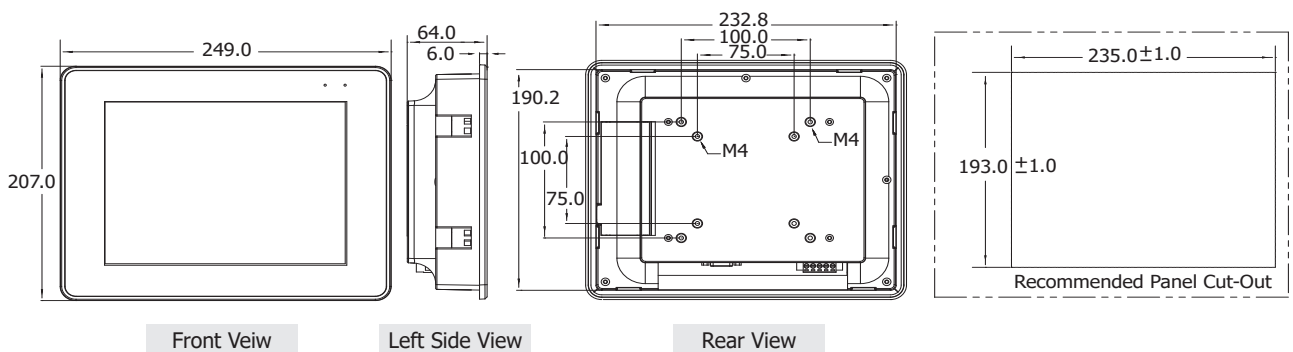


Dimensions (Units: mm)

VP-2201-CE7

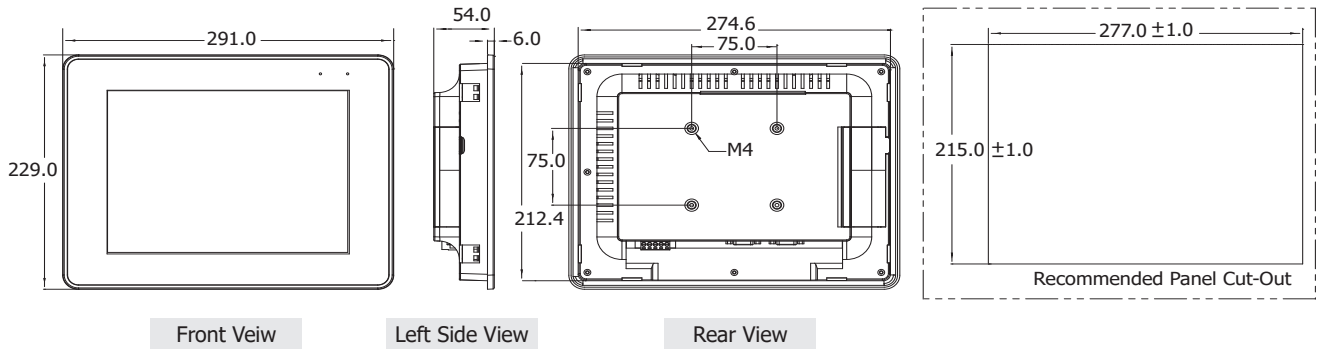


VP-3201-CE7



■ Dimensions (Units: mm)

VP-4201-CE7

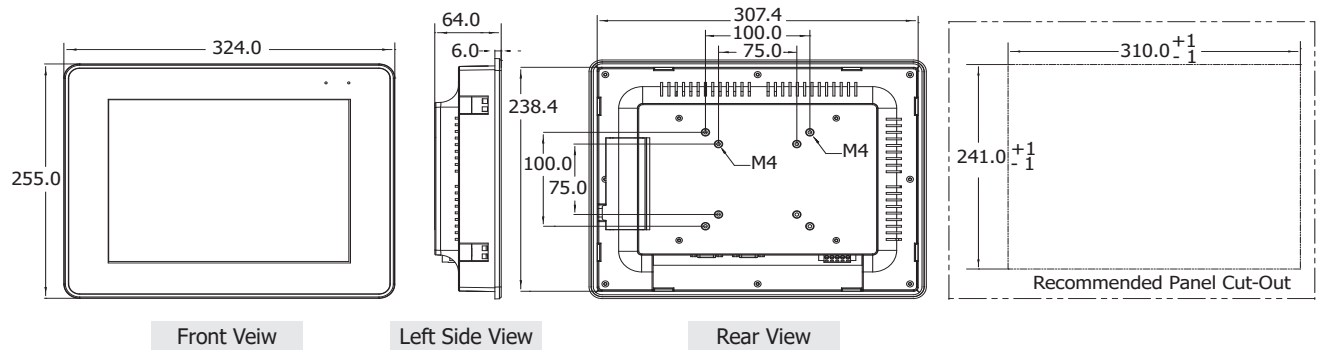


Front View

Left Side View

Rear View

VP-5201-CE7

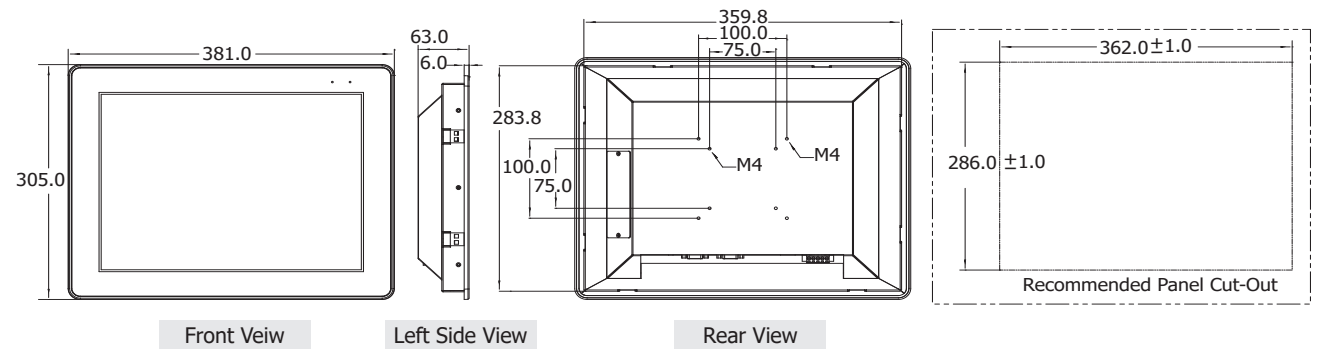


Front View

Left Side View

Rear View

VP-6201-CE7



Front View

Left Side View

Rear View

■ Ordering Information

VP-2201-CE7 CR	Standard ViewPAC with 5.7" LCD, Cortex-A8, 720 MHz CPU and CE7 OS (RoHS)
VP-3201-CE7 CR	Standard ViewPAC with 8.4" LCD, Cortex-A8, 1 GHz CPU and CE7 OS (RoHS)
VP-4201-CE7 CR	Standard ViewPAC with 10.4" LCD, Cortex-A8, 1 GHz CPU and CE7 OS (RoHS)
VP-5201-CE7 CR	Standard ViewPAC with 12.1" LCD, Cortex-A8, 1 GHz CPU and CE7 OS (RoHS)
VP-6201-CE7 CR	Standard ViewPAC with 15" LCD, Cortex-A8, 1 GHz CPU and CE7 OS (RoHS)