



## I-97018/S

8-channel Thermocouple Input Module, Include CN-1824M

### Introduction

The I-97018 is a 8-channel universal Analog Input module with an RS-485 interface that is especially designed for extremely accurate thermocouple measurement and features automatic cold-junction compensation for each channel to ensure temperature output consistency and stable temperature output in the field. The innovative design of the enhanced model ensures that thermocouple measurement is more accurate than with the earlier design. Besides the thermocouple inputs, the I-97018 also supports voltage and current input. The voltage input range can be from  $\pm 15$  mV to  $\pm 2.5$  V. Up to 8 different types of Analog Input can be connected to a single module. Overvoltage protection of up to 240 Vrms is provided. The module also features per-channel open wire detection for the thermocouple and +4 to +20 mA input channels.

### System Specifications

Communication		
Interface	RS-485	
Format	N, 8, 1	
Baud Rate	1200 ~ 115200 bps	
Protocol	DCON	
Dual Watchdog	Yes, Module (1.6 Seconds), Communication (Programmable)	
LED Display		
System LED Indicator	1 LED as Power/Communication Indicator	
I/O LED Indicators	-	
Isolation		
Intra-module Isolation, Field-to-Logic	3000 VDC	
EMS Protection		
ESD (IEC 61000-4-2)	$\pm 4$ kV Contact for each Terminal $\pm 8$ kV Air for Random Point	
Power		
Power Consumption	0.6 W Max.	
Mechanical		
Dimensions (W x L x H)	I-97018	31 mm x 134 mm x 134 mm
	CN-1824M	28 mm x 36 mm x 80 mm
Environment		
Operating Temperature	-25 ~ +75 °C	
Storage Temperature	-40 ~ +85 °C	
Humidity	10 ~ 90% RH, Non-condensing	

### Features

- 8-channel Analog Input
- Current, Voltage and Thermocouple Input
- Individual Channel Configuration
- Open Thermocouple Detection
- Temperature Output Consistency
- Stable Temperature Output in the Field
- 240 Vrms Overvoltage Protection
- 4 kV ESD Protection
- Dual Watchdog
- 3000 VDC Intra-module Isolation, Field-to-Logic
- Wide Operating Temperature Range: -25 to +75 °C



### Applications

- Building Automation
- Factory Automation
- Machine Automation
- Remote Maintenance
- Remote Diagnosis
- Testing Equipment

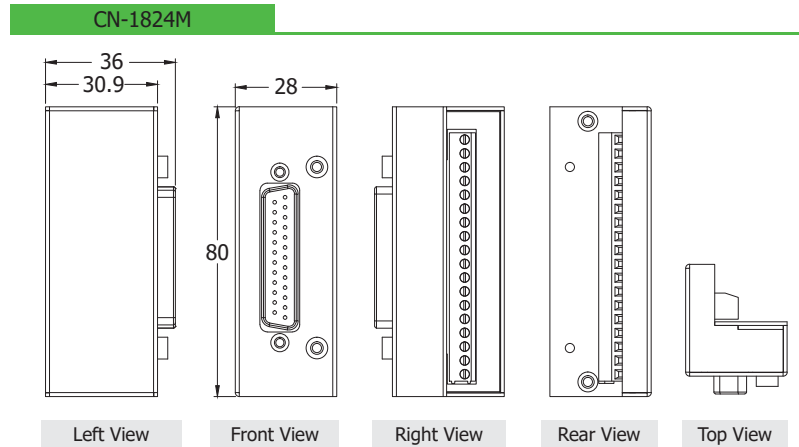
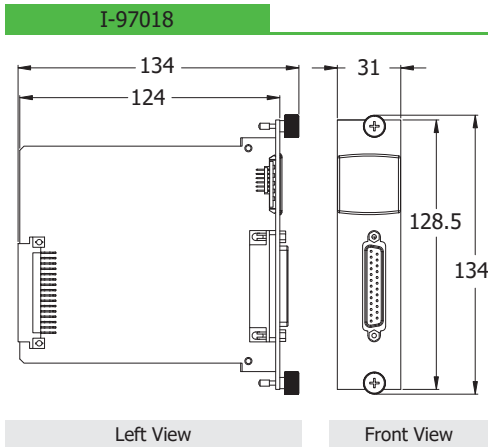
### RTD Type Settings (TT)

Type Code	RTD Type	Temperature Range
0E	J	-210 to +760°C
0F	K	-270 to +1372°C
10	T	-270 to +400°C
11	E	-270 to +1000°C
12	R	0 to +1768°C
13	S	0 to +1768°C
14	B	0 to +1820°C
15	N	-270 to +1300°C
16	C	0 to +2320°C
17	L	-200 to +800°C
18	M	-200 to +100°C
19	L <sub>DIN43710</sub>	-200 to +900°C

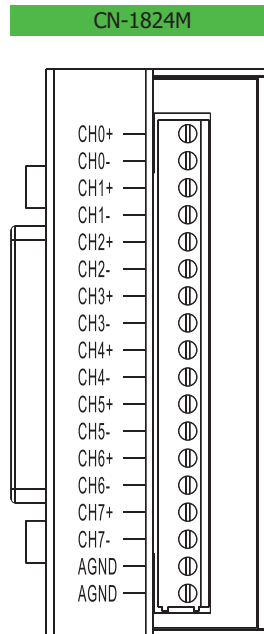
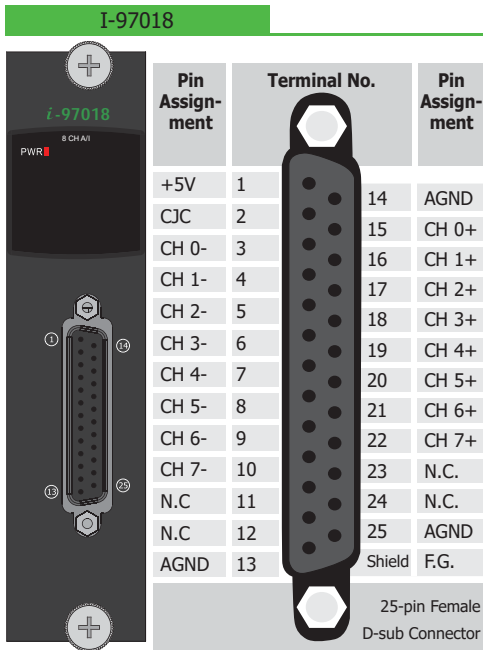
### I/O Specifications

Analog Input		
Channels	8	
Wiring	Differential	
Resolution	16-bit	
Sensor Type	Thermocouple	J, K, T, E, R, S, B, N, C, L, M, L <sub>DIN43710</sub>
	Voltage	$\pm 15$ mV, $\pm 50$ mV, $\pm 100$ mV, $\pm 500$ mV, $\pm 1$ V, $\pm 2.5$ V
	Current	$\pm 20$ mA, 0 to 20 mA, 4 to 20 mA
Resolution	16-bit	
Accuracy	$\pm 0.1\%$ of FSR	
Sampling Rate	10 Hz (Total)	
Input Impedance	> 400 k $\Omega$	
Common Mode Rejection	$\pm 200$ VDC	
Individual Channel Configuration	Yes	
Overvoltage Protection	240 Vrms	
Open Wire Detection (for thermocouple only)	Yes	
Temperature Output Consistency	Yes	
Stable Temperature Output in the Field	Yes	

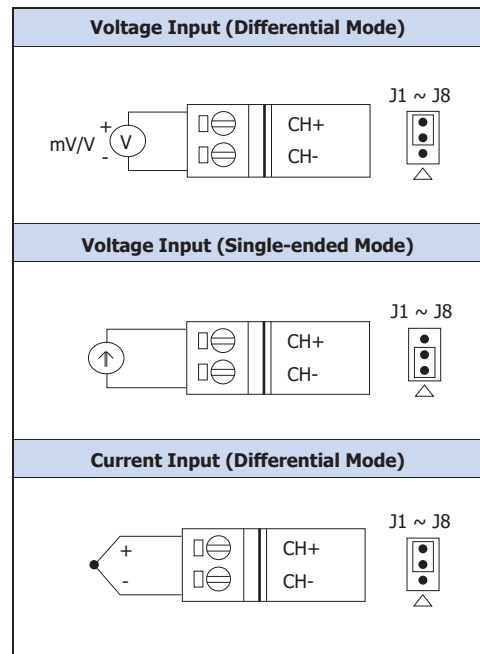
## Dimensions (Units: mm)



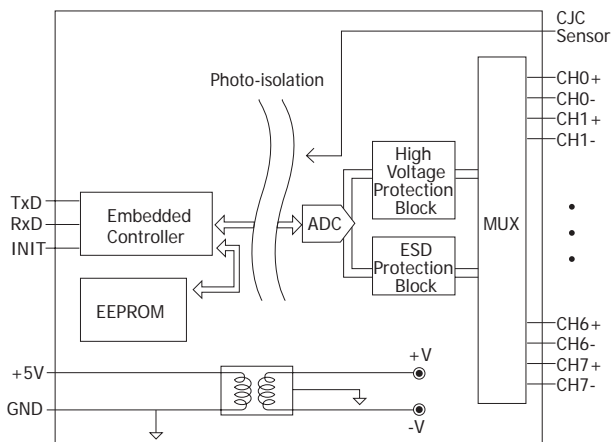
## Pin Assignments



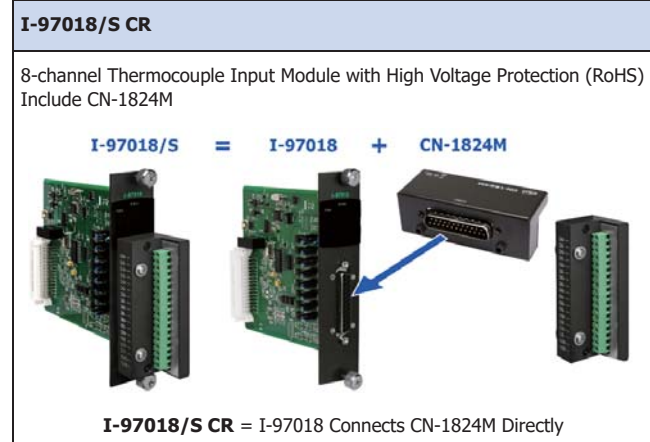
## Wire Connections



## Internal I/O Structure



## Ordering Information



## Accessories

<b>SG-770 CR</b>	7-channel Differential or 14-channel Single-ended Surge Protector (RoHS)	<b>SG-3000 series</b>	Signal Conditioning Modules for Thermocouple, RTD, DC Voltage, DC Current and Power Inputs
------------------	--	-----------------------	--