

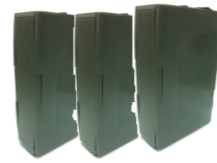


## What's in the box?

In addition to this guide, the package includes the following items:



**VP-23W1**



**I/O Socket \* 3**



**Software CD**



**A microSD Card and A  
microSD to SD Adapter**



**RJ-45 Waterproof Assembly**



**Screw Driver**



**Panel Clip \* 4**

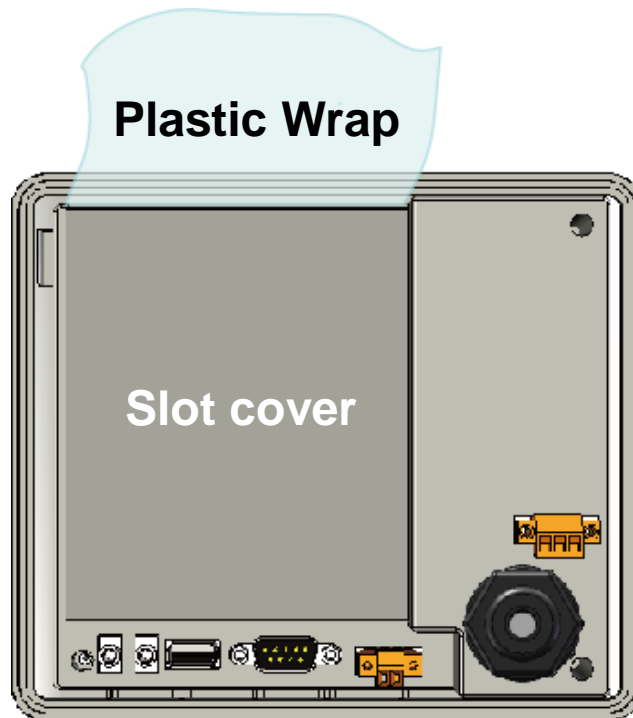


**M4 x 30L Screw \* 4**

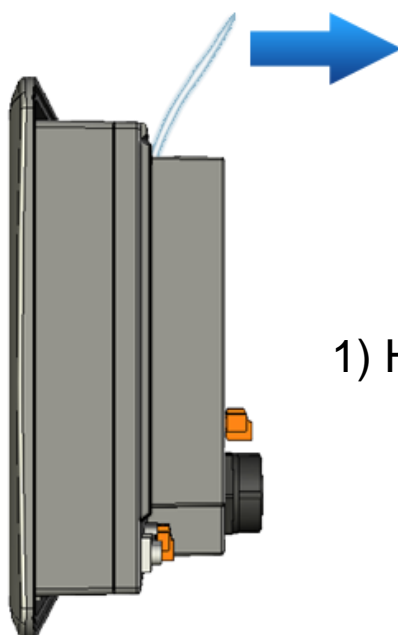
# Mounting the Expansion I/O Sockets

## Step 1: Remove the slot Cover

The VP-23W1 has a slot cover to protect the internal components from damage during shipping.

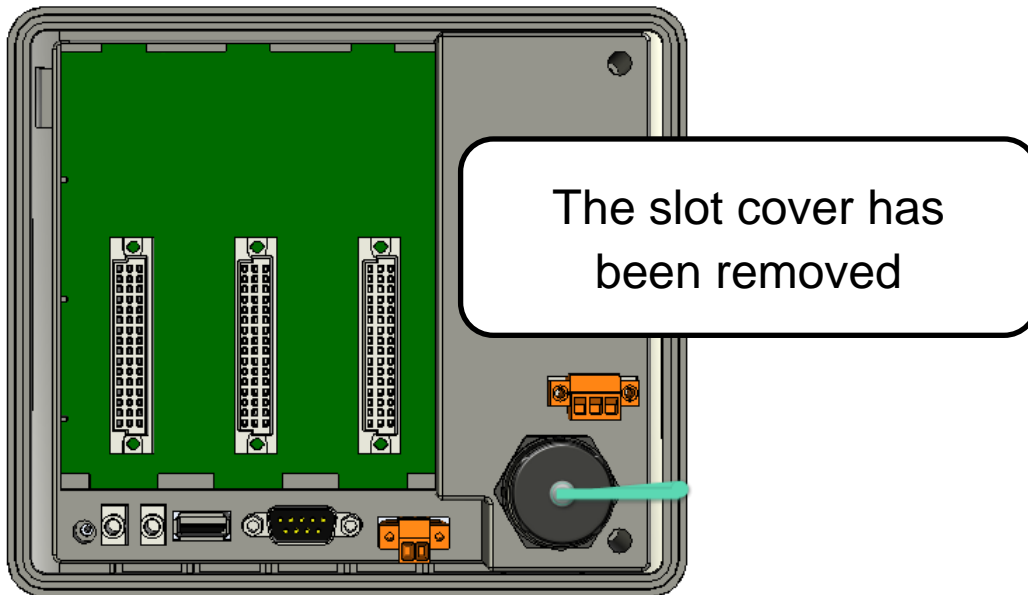


Before starting any installation, please first remove the slot cover.



1) Hold the top of ViewPAC

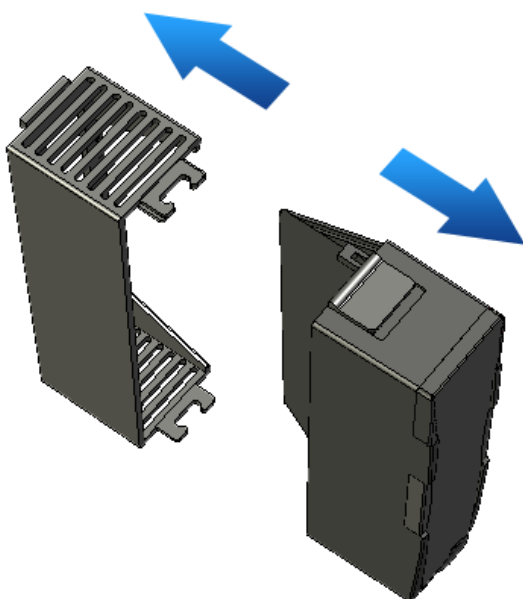
2) Pull the plastic wrap



## Step 2: Installing the Expansion I/O Sockets

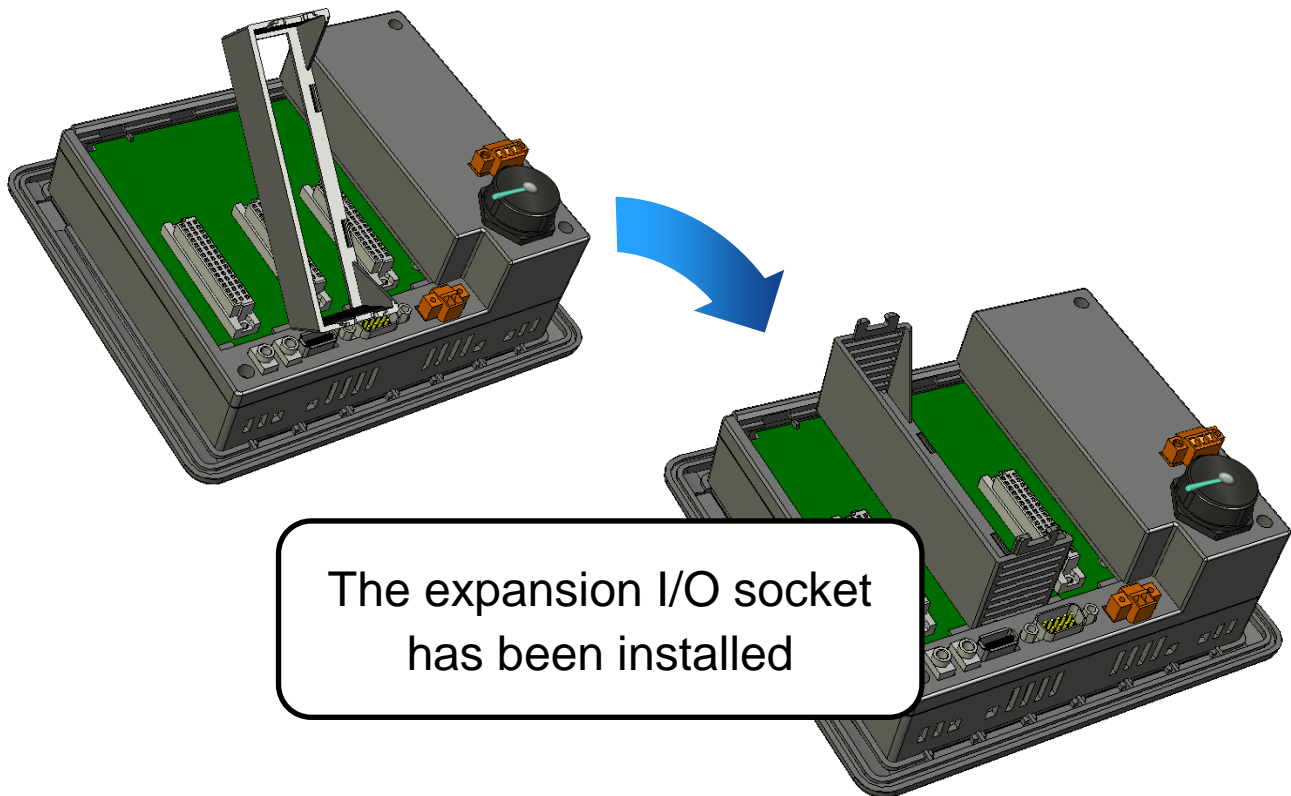
The case (a socket and a top case) is included in the package.

1) Take the socket out from the case



2) Padlock the bottom of the socket into the ViewPAC

3) Slide the socket into the ViewPAC until it clicks



## VP-23W1 Getting Started/User Manual

If you are new to VP-23W1, please read the “Chapter 2. Getting Started” of the User Manual for detailed information.

CD:\winpac\napdos\vp-2000\_ce50\document\

[http://ftp.icpdas.com/pub/cd/winpac/napdos/vp-2000\\_ce50/document/](http://ftp.icpdas.com/pub/cd/winpac/napdos/vp-2000_ce50/document/)



If there is any other question, please feel free to contact us. Email: [service@icpdas.com](mailto:service@icpdas.com)