

USB to 4-Port RS-232 Converter

USB-2514

User Manual

Warranty

All products manufactured by ICP DAS are warranted against defective materials for a period of one year from the date of delivery to the original purchaser.

Warning

ICP DAS assumes no liability for damages consequent to the use of this product. ICP DAS reserves the right to change this manual at any time without notice. The information furnished by ICP DAS is believed to be accurate and reliable. However, no responsibility is assumed by ICP DAS for its use, or for any infringements of patents or other rights of third parties resulting from its use.

Copyright

Copyright 2012 by ICP DAS Co., LTD. All rights reserved worldwide.

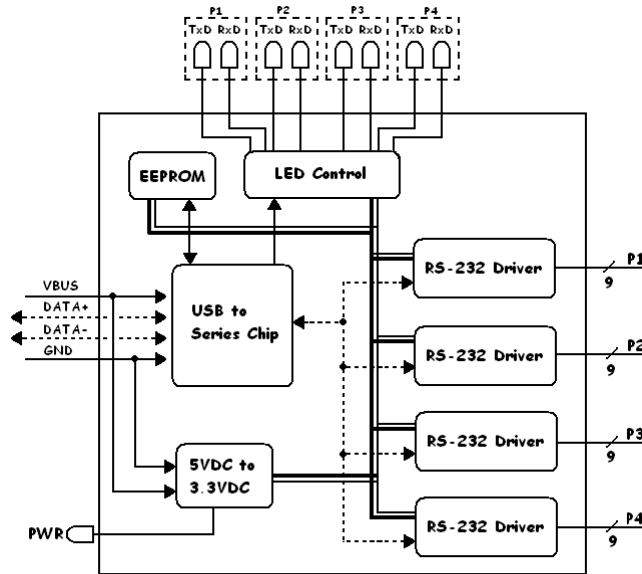
Trademark

The names used for identification only may be registered trademarks of their respective companies.

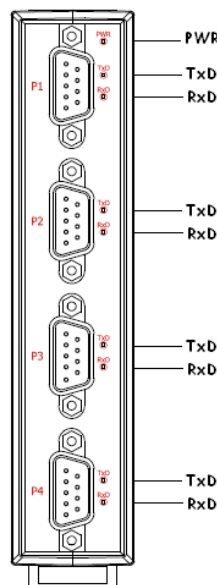
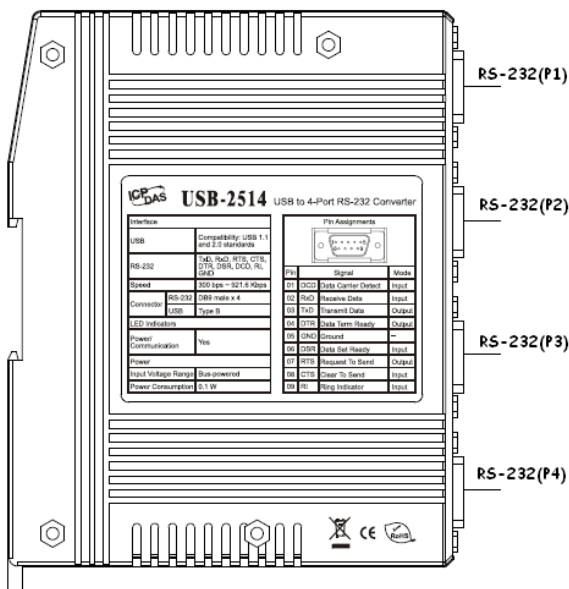
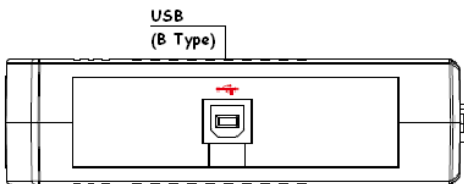
Introduction

USB-2514 is USB to 4-Port RS-232 converter that provides a simple way add up to four RS-232 ports on your PC. The USB-2514 is support USB 1.1, USB 2.0 standards and easy setting RS-232 transmission speed from 300 bps to 921600 bps.

Internal I/O Structure:

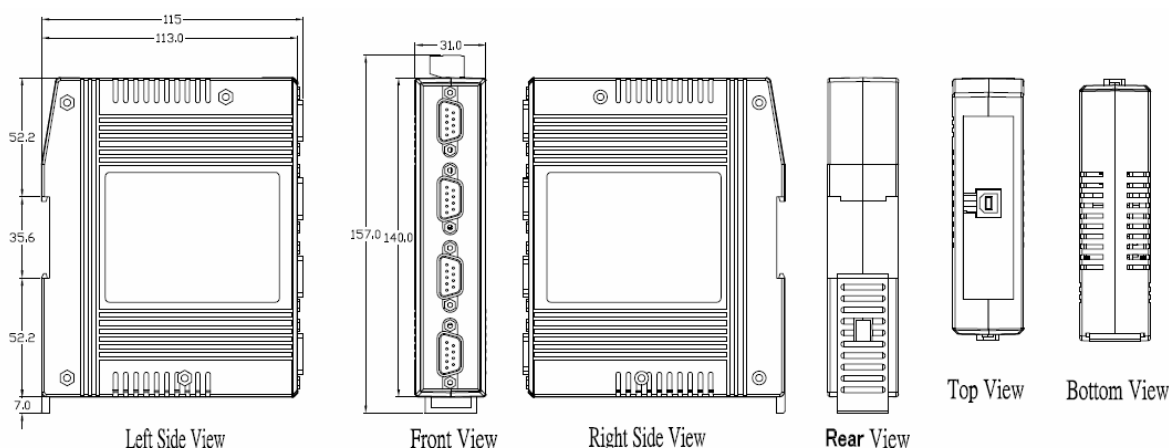


Pin Assignments:



P1-P4 Pin Assignments			
Pin	Signal	Mode	
01	DCD	Data Carrier Detect	Input
02	RxD	Receive Data	Input
03	TxD	Transmit Data	Output
04	DTR	Data Term Ready	Output
05	GND	Ground	—
06	DSR	Data Set Ready	Input
07	RTS	Request To Send	Output
08	CTS	Clear To Send	Input
09	RI	Ring Indicator	Input

Dimensions (Unit: mm):



Specifications:

Interface		
USB	Compatibility: USB 1.1 and 2.0 standards	
RS-232	TxD, RxD, RTS, CTS, DTR, DSR, DCD, RI, GND	
Speed	300 bps ~ 921600 bps	
Connector	RS-232	DB9 male x 4
	USB	B Type
Software		
Driver	Windows 98/ME/2000/XP/Vista (32/64-bit)/7 (32/64-bit)/Linux	
LED Indicators		
Power (PWR)	Red LED	
Transit Data (TxD)	Orange LED	
Receive Data (RxD)	Green LED	
Power		
Input Voltage Range	+5 VDC from USB (Bus-powered)	
Power Consumption	1 W	
Mechanical		
Casing	Plastic	
Flammability	Fire-Retardant Materials (UL94-V0 Level)	
Dimensions (W x H x D)	31 mm x 157 mm x 116 mm	
Environment		
Operating Temperature	-25 °C ~ +75 °C	
Storage Temperature	-30 °C ~ +75 °C	
Humidity	10 ~ 90% RH, non-condensing	

USB driver installation

Microsoft Windows XP

Download driver files from

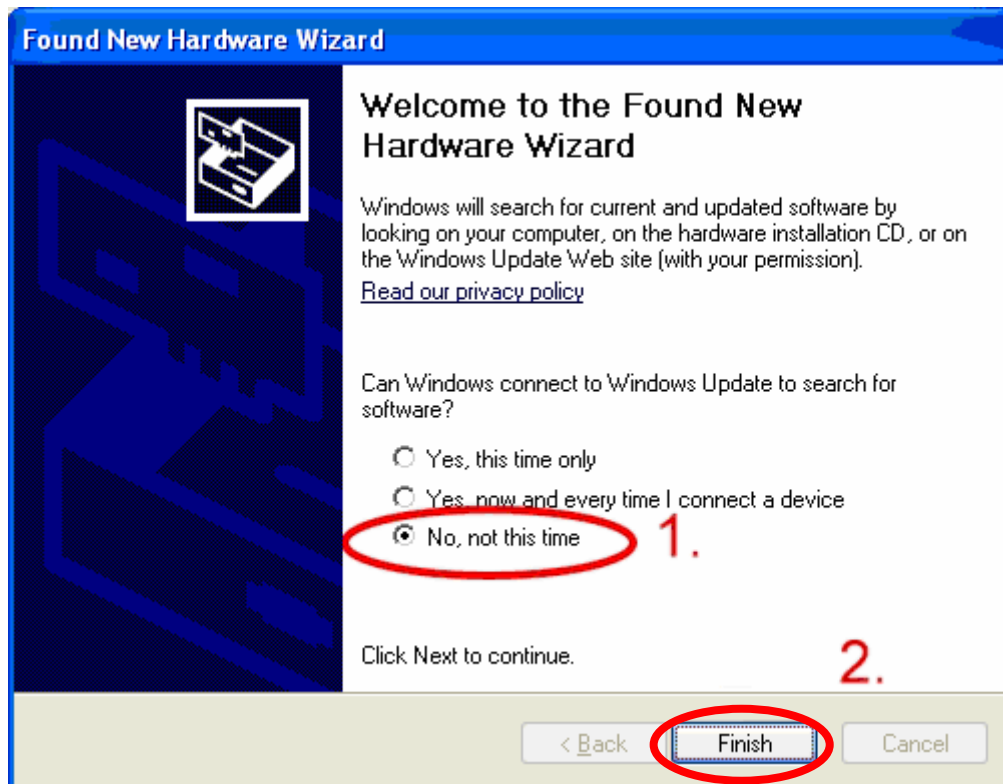
1. Package CD, \NAPDOS\USB-2514\ Vx.xx.xx
2. <ftp://ftp.icpdas.com/pub/cd/usbconverter/napdos/>

Manually install USB driver

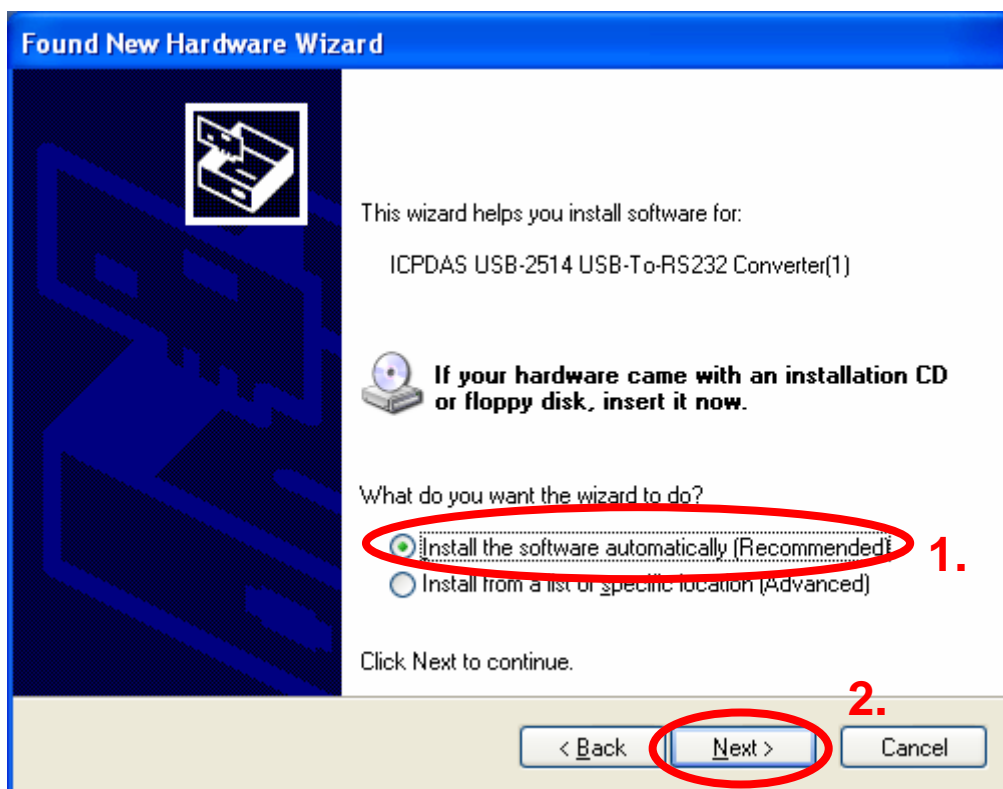
Step1. Please execute “**USB-2514_tM-7561_Driver.exe**” (the driver file name for v2.08.24 or newer) file first to install necessary driver files of USB-2514 to system.

Step2. Locate the USB port of your computer and plug in the USB-2514.

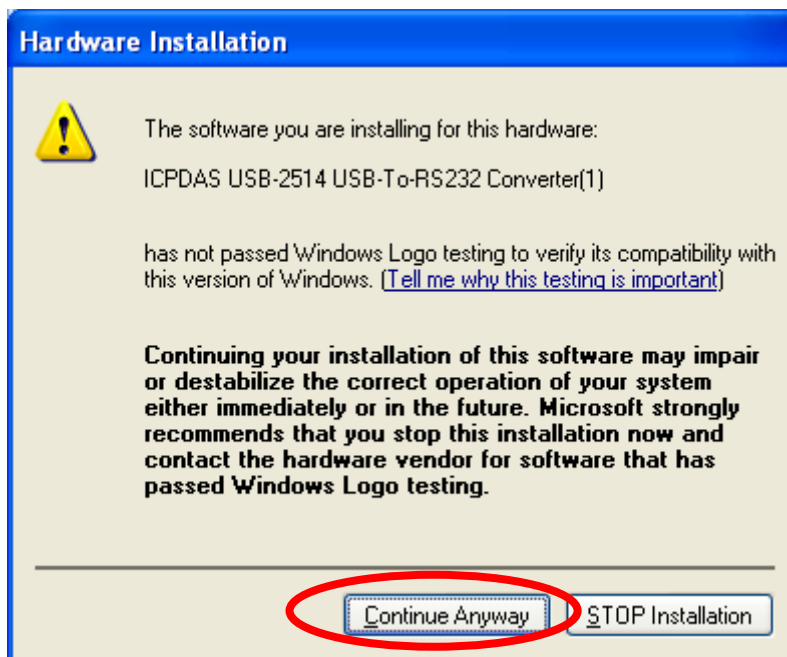
Step3. Select “No, not this time”. → Select “Next”.



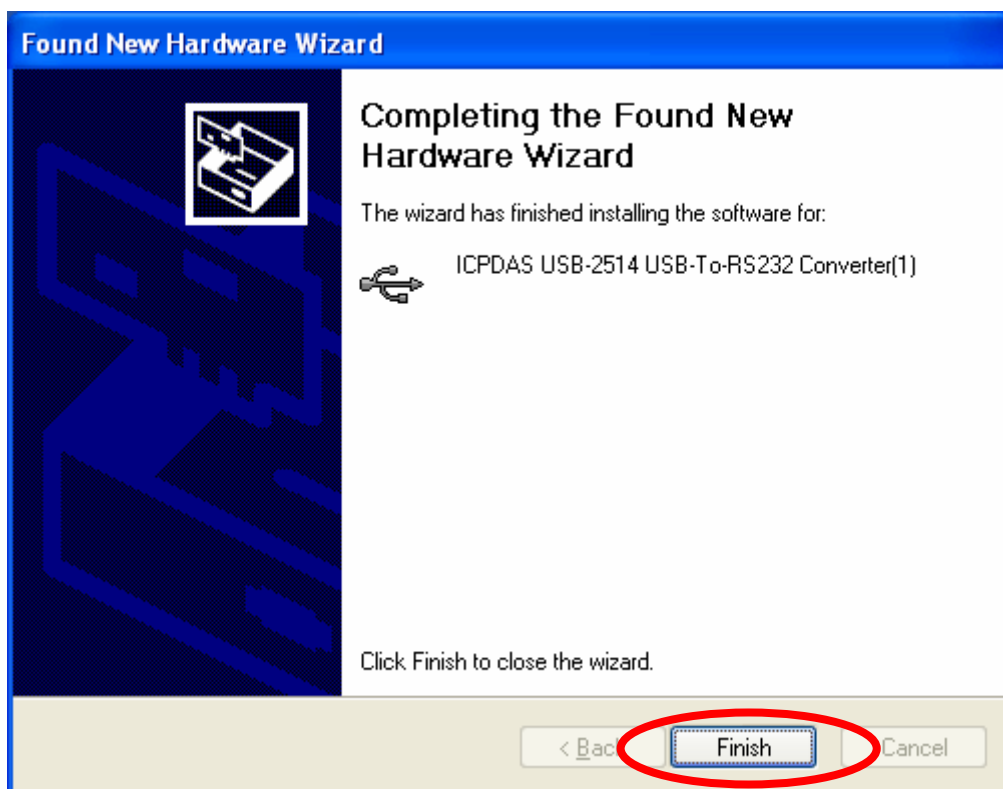
Step4. Select “Install the software automatically (Recommended)”. → Select “Next”.



Step5. If it is pop-up a new windows that “Hardware Installation”, please select “Continue Anyway”.



Step6. Select "Finish" to finish.

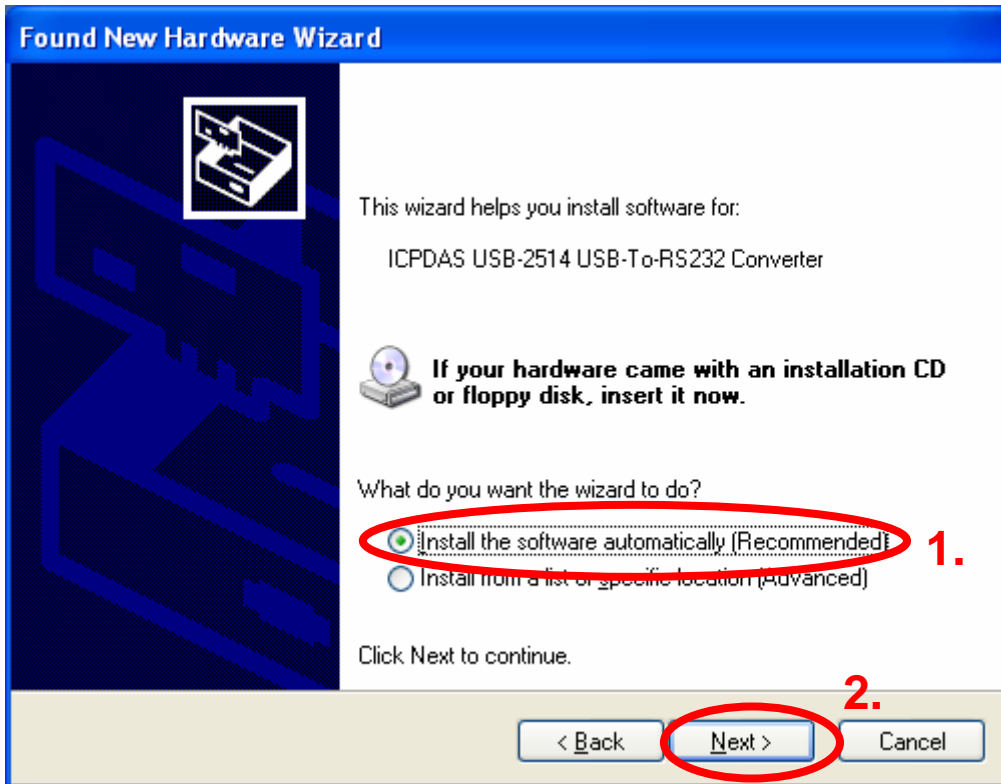


Repeat Step3 to Step6 for each other ports. (Must be repeated four loops).

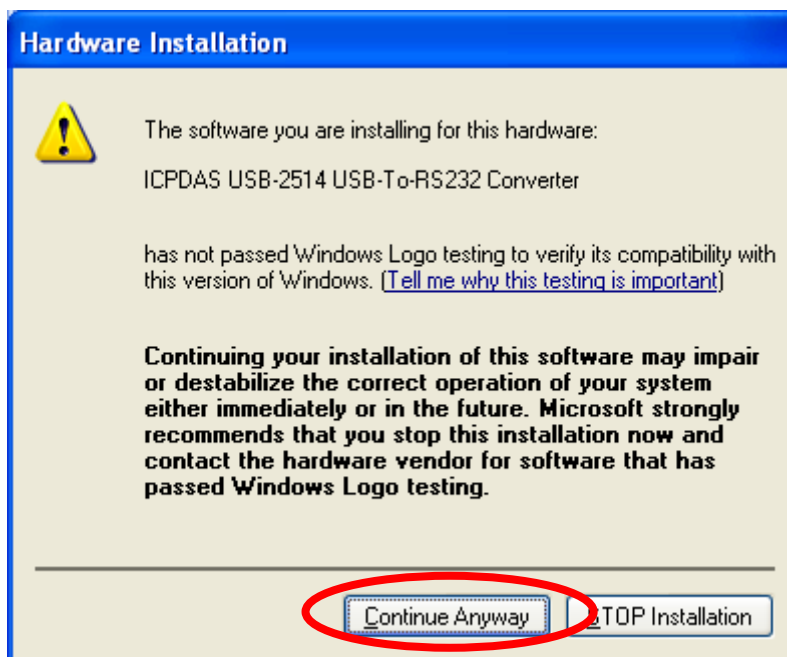
Step7. Select "No, not this time". → Select "Next".



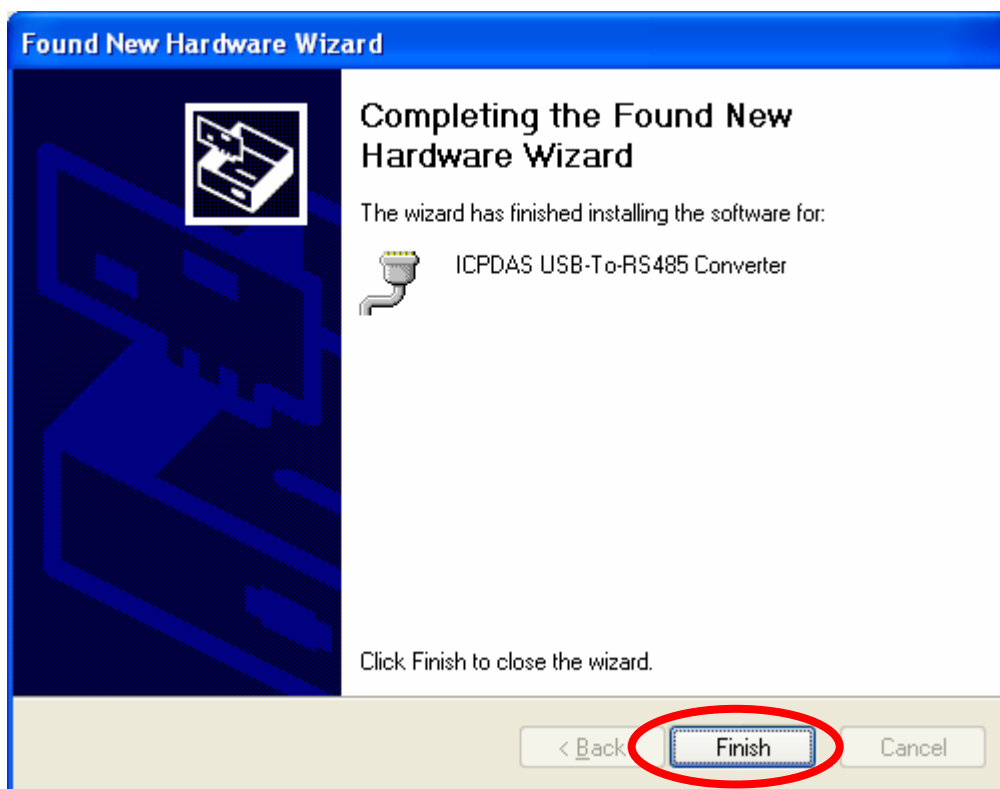
Step8. Select “Install the software automatically (Recommended)”. → Select “Next”.



Step9. If it is pop-up a new windows that “Hardware Installation”, please select “Continue Anyway”.



Step10. Select "Finish" to finish.



Repeat Step7 to Step10 for each other ports. (Must be repeated four loops).

Step11. Please open "Device Manager". → check com.

